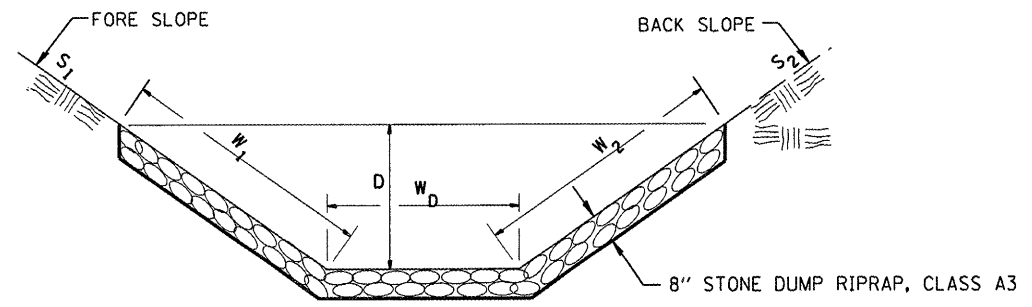


F.A.S. RTE.	SECTION	COUNTY	TOTAL SHEETS	SHEET NO.
145B	03-00125-01-GE	FULTON	48	15
STA.		TO STA.		
FED. ROAD DIST. NO.		ILLINOIS FED. AID PROJECT		

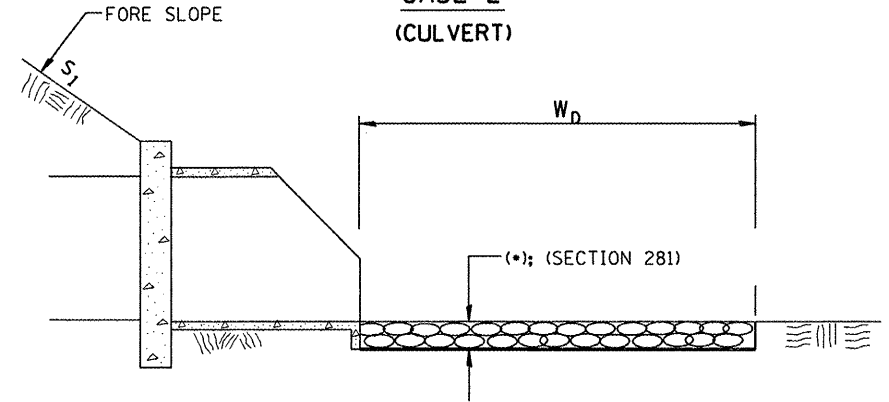
**CASE 1
(DITCH)**



8" STONE DUMP RIPRAP, CLASS A3			
LOCATION	WIDTH (1)	LENGTH	RIPRAP
STA TO STA	lin ft	lin ft	sq yds
39+50 TO 40+50 LT	13.0	100.0	144.4
38+50 TO 40+00 RT	13.0	150.0	216.7
45+00 TO 51+00 LT	13.0	600.0	866.7
45+00 TO 50+00 RT	13.0	500.0	722.2
51+25 TO 56+50 LT	13.0	525.0	758.3
50+00 TO 57+00 RT	13.0	700.0	1011.1
TOTAL			3719

(1) WIDTH = $W_1 + W_2 + W_D$

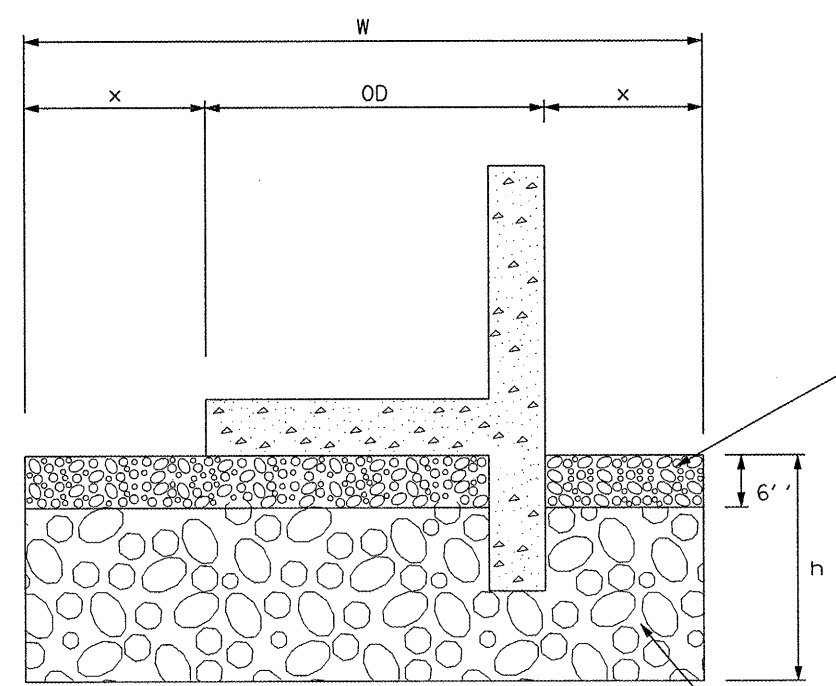
**CASE 2
(CULVERT)**



STONE DUMP RIPRAP, CLASS A4			
LOCATION	WIDTH (1)	LENGTH	RIPRAP
STA TO STA	lin ft	lin ft	sq yds
50+00	29.0	20.0	64.4
51+17	10.0	20.0	22.2
TOTAL			87

(1) WIDTH = W_D

All slope ratios are expressed as units of vertical displacement to units of horizontal displacement (V:H).

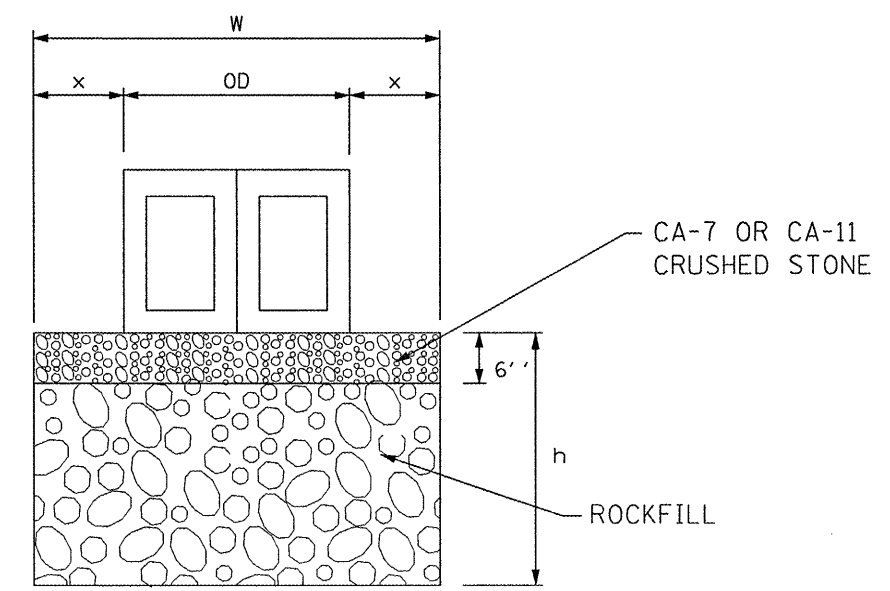


UNDERCUT FOR WINGWALLS

CULVERT LOCATION	UNDERCUT			
	DEPTH	WIDTH		
	h	x	OD	W
STA. 50+71 - UNDER CULVERT	9'-0"	6'-0"	13'-1"	25'-1"
STA. 50+00-SOUTH WW (SHORT)	9'-0"	6'-0"	5'-7"	17'-7"
STA. 50+00-SOUTH WW (LONG)	9'-0"	6'-0"	5'-7"	17'-7"
STA. 51+16-NORTH WW (SHORT)	9'-0"	6'-0"	5'-7"	17'-7"
STA. 51+16-NORTH WW (LONG)	9'-0"	6'-0"	5'-7"	17'-7"

GENERAL NOTES:

- DEFINITIONS:
 OD = Outside Diameter or outside width of box culvert
 h = Depth of undercut (the upper 6" of CA-7 or CA-11 crushed stone is included in cost of rock fill)
 x = Distance from culvert/wingwall to limits of removal of unsuitable material; minimum 2 feet for box culverts.
 W = Width of undercut = $2x + OD$
- See Special Provisions, Rock Fill, for material gradation.



UNDERCUT FOR BOX CULVERT

REVISIONS	
NAME	DATE

RIPRAP DITCH FOR EROSION PROTECTION & UNSUITABLE EXCAVATION TREATMENT FOR CULVERTS

SCALE: VERT. _____
 HORIZ. _____

DRAWN BY _____
 CHECKED BY _____