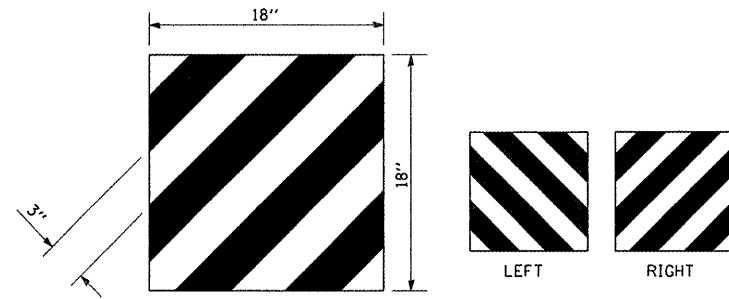
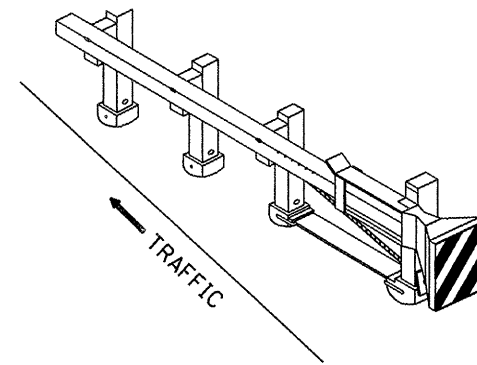


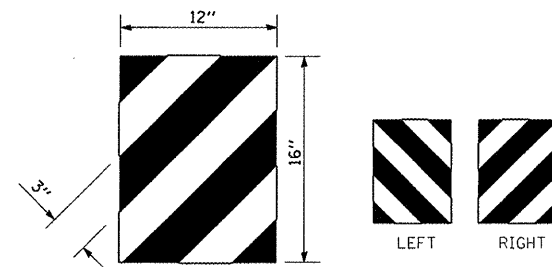
| F.A.S. RTE.         | SECTION        | COUNTY                    | TOTAL SHEETS | SHEET NO. |
|---------------------|----------------|---------------------------|--------------|-----------|
| 1458                | 03-00125-01-GE | FULTON                    | 48           | 18        |
| STA.                |                | TO STA.                   |              |           |
| FED. ROAD DIST. NO. |                | ILLINOIS FED. AID PROJECT |              |           |



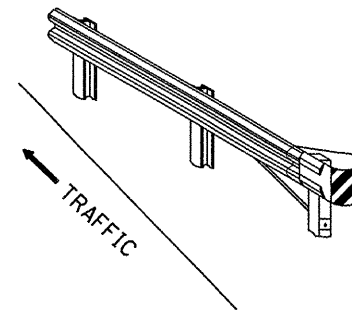
For Traffic Barrier Terminal Type 1 (Special)



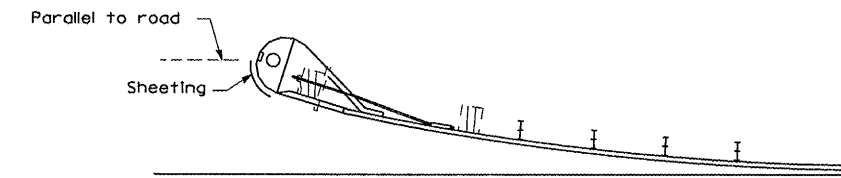
Standard Treatment - Direct Applied Sheeting  
Traffic Barrier Terminal Type 1 (Special)



For Traffic Barrier Terminal Type (\*)  
and Post Mount  
• See Plans for Type



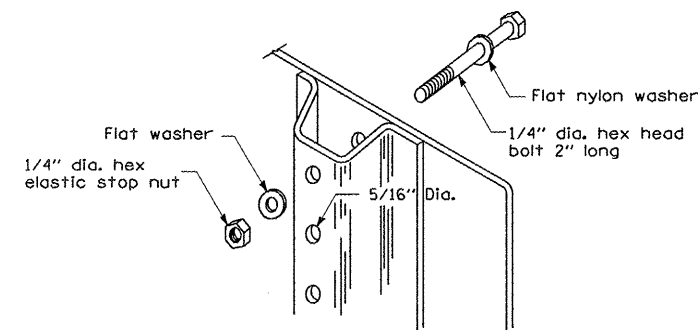
Standard Treatment - Direct Applied Sheeting  
Traffic Barrier Terminal Type (\*)  
• See Plans for Type



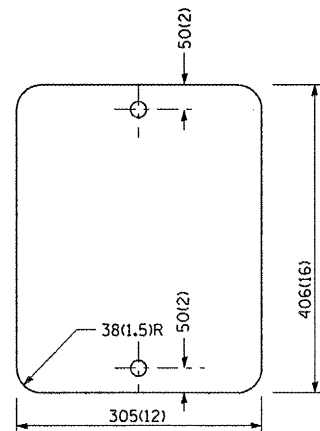
Sheeting Position for  
Traffic Barrier Terminal Type (\*)  
• See Plans for Type

TERMINAL MARKER DETAILS

- Color: Black / Yellow reflectorized
- OM - I100 (L or R) Direct applied reflective sheeting
- OM - I200 (L or R) Post mounted

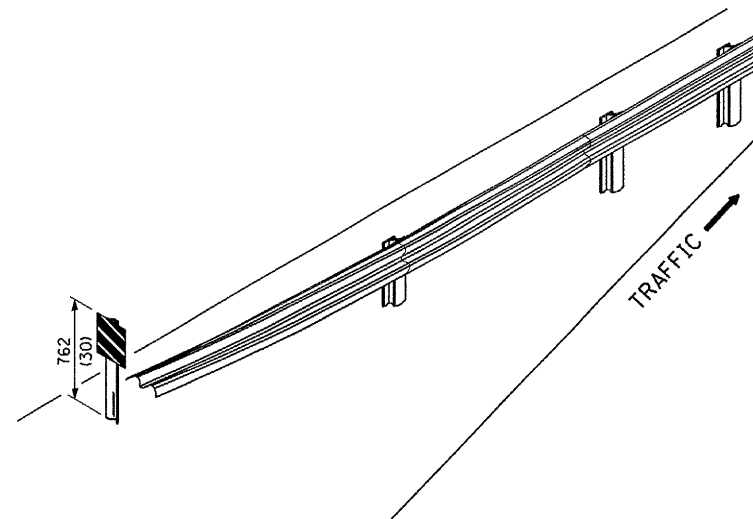


DETAIL OF MOUNTING TERMINAL MARKER TO POST



STANDARD TERMINAL MARKER

POST MOUNTED TERMINAL MARKER ASSEMBLY



ALTERNATE TREATMENT - POST MOUNTED  
(For turned-down terminal where sheeting cannot be direct applied)

TERMINAL MARKER TREATMENTS

IDOT DISTRICT DETAIL 635101-D4

| REVISIONS |      |
|-----------|------|
| NAME      | DATE |
|           |      |
|           |      |
|           |      |
|           |      |
|           |      |
|           |      |
|           |      |
|           |      |
|           |      |

GUARDRAIL AND  
BARRIER WALL DELINEATION

SCALE: VERT.  
HORIZ.  
DATE

SHEET 2 OF 3  
DRAWN BY  
CHECKED BY