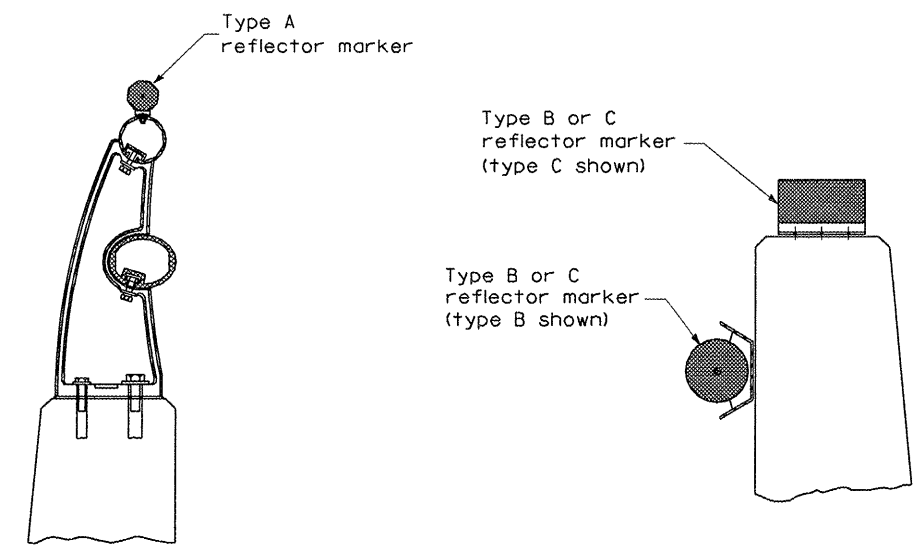


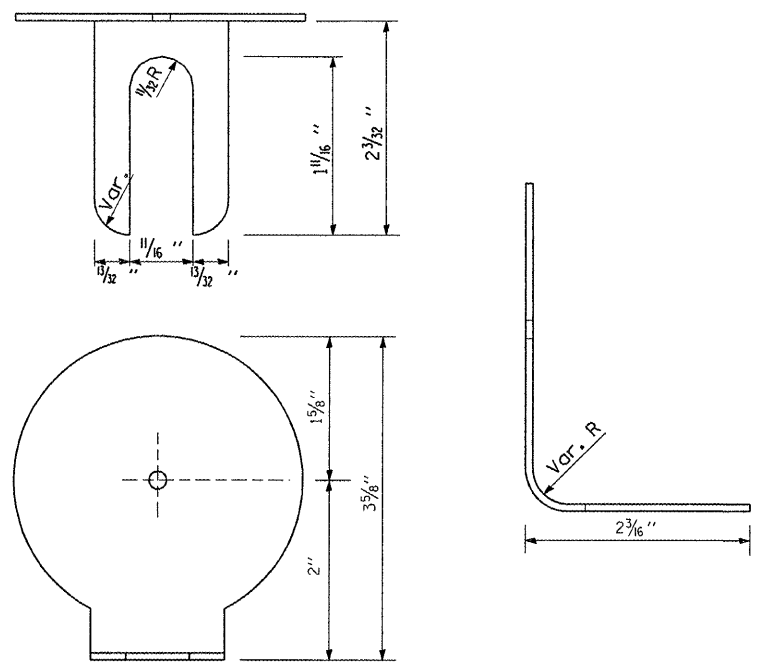
F.A.S. RTE.	SECTION	COUNTY	TOTAL SHEETS	SHEET NO.
1458	03-00125-01-GE	FULTON	48	19
STA.		TO STA.		
FED. ROAD DIST. NO.	ILLINOIS	FED. AID PROJECT		



TYPICAL MOUNTING DETAIL FOR BRIDGE RAIL REFLECTOR

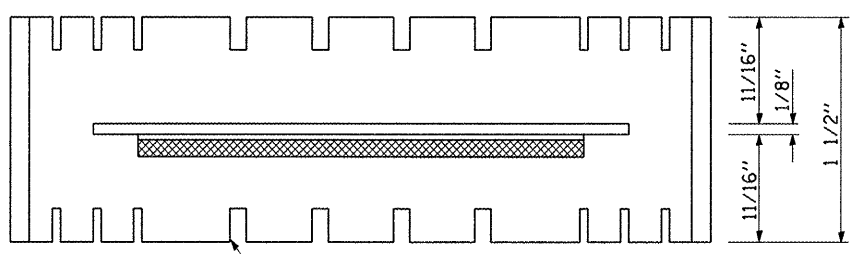
TYPICAL MOUNTING DETAIL FOR BARRIER WALL REFLECTOR

REFLECTOR MOUNTING

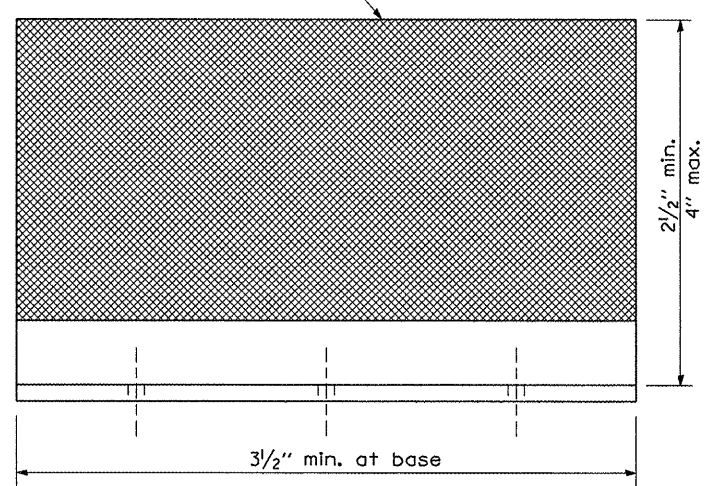


REFLECTOR MARKER TYPE A

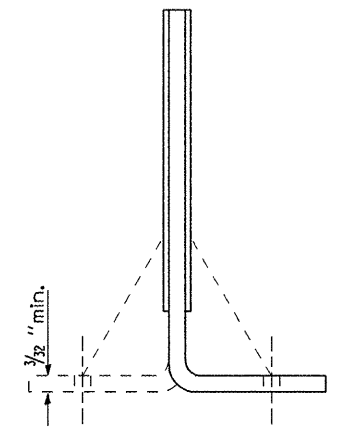
TYPICAL GUARDRAIL MOUNTING WITH REFLECTOR MARKER TYPE A



Min. reflective area 6 1/2 Sq. In. each side. May be rectangular or slight trapezoid.

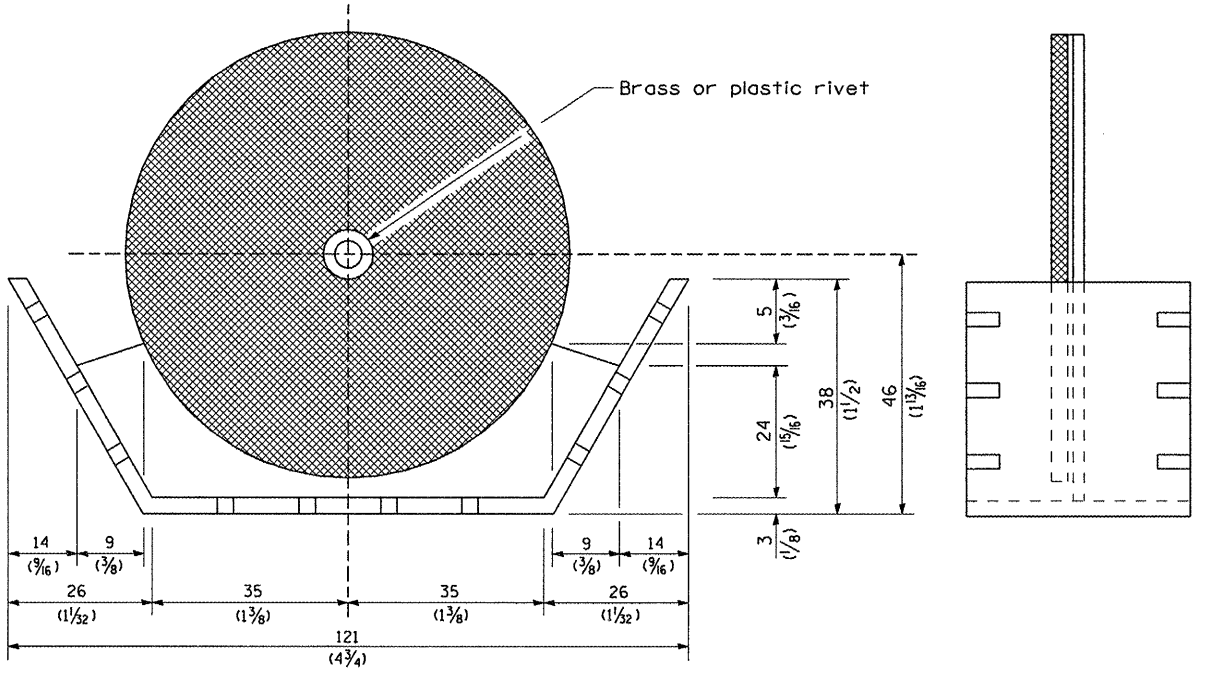


REFLECTOR MARKER TYPE C



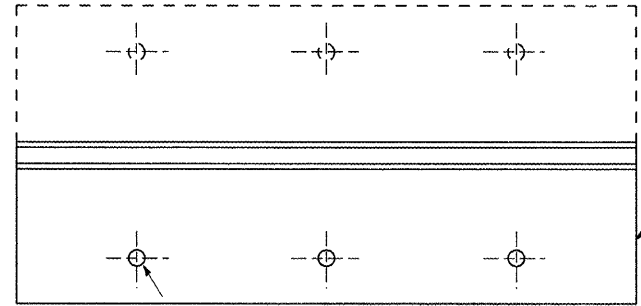
Cross section may be "T" or "L" shaped and may have side supports at ends.

REFLECTORS



REFLECTOR MARKER TYPE B

Minimum total area of base 7.0 Sq. In.



IDOT DISTRICT DETAIL 635101-D4

REVISIONS	
NAME	DATE

GUARDRAIL AND BARRIER WALL DELINEATION

SCALE: VERT. HORIZ. DATE

SHEET 3 OF 3 DRAWN BY CHECKED BY