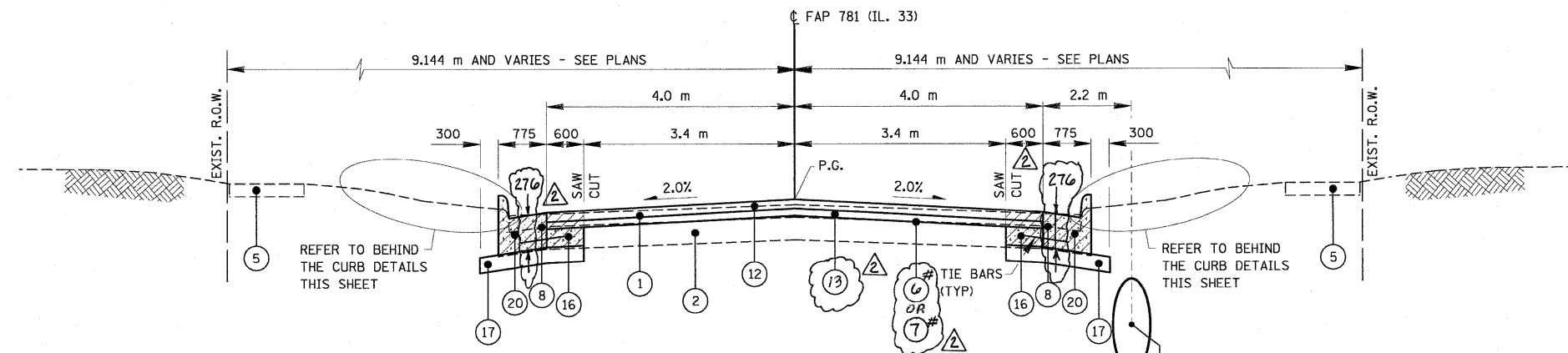
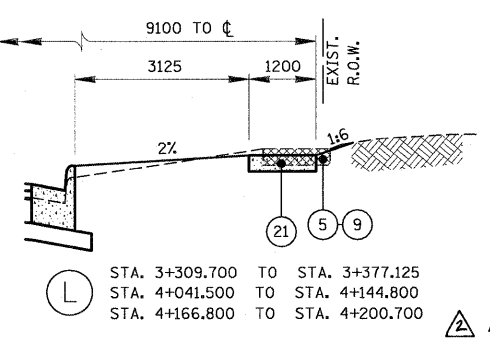
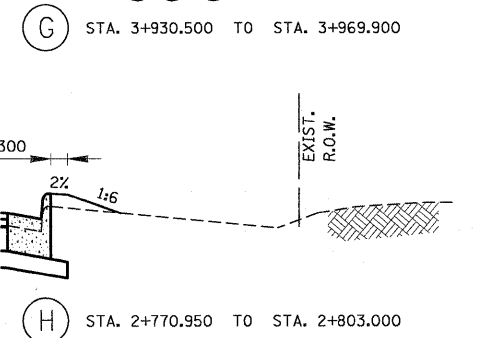
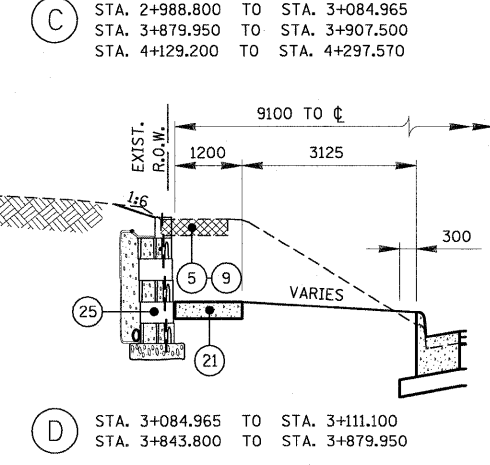
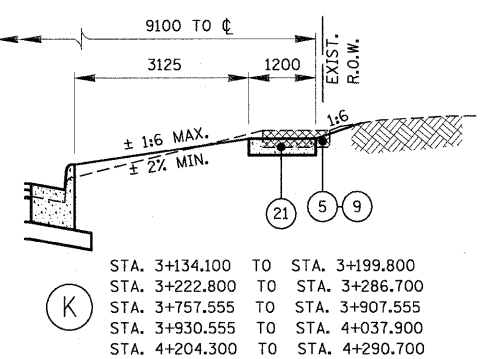
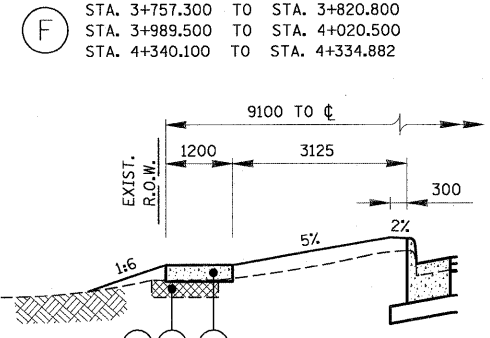
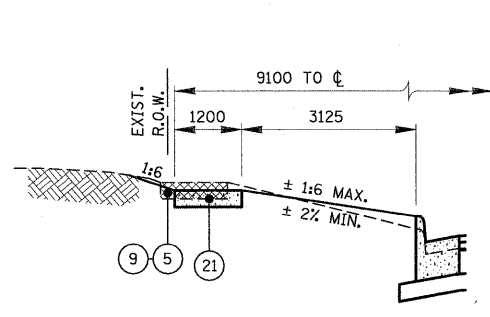
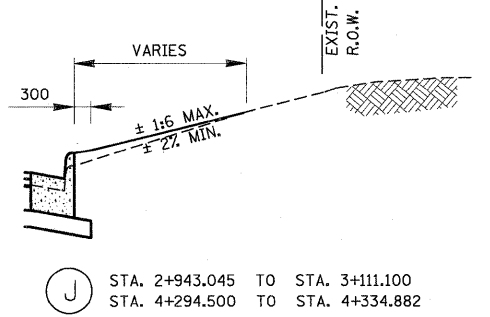
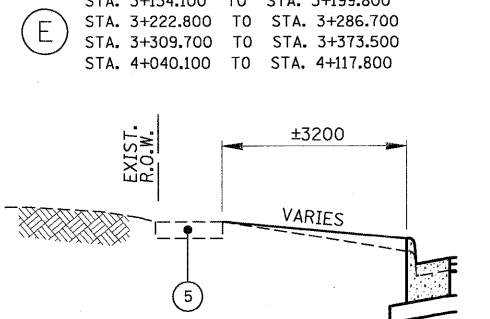
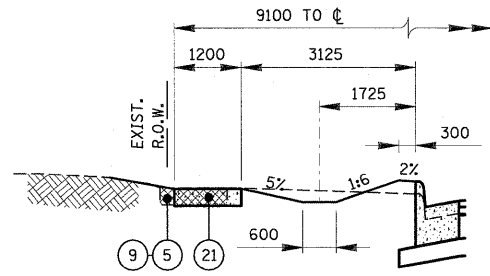
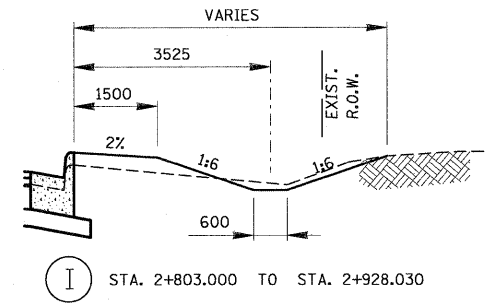
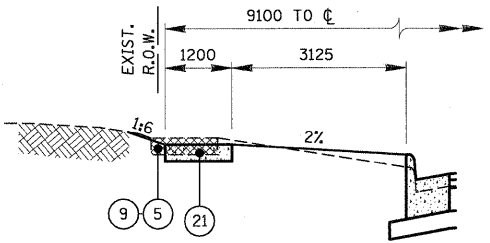
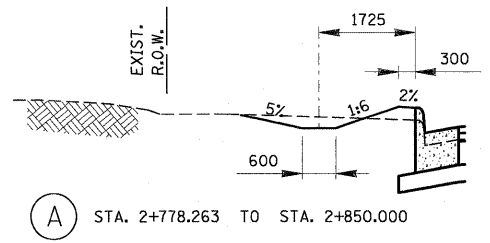


F.A.P. RTE.	SECTION	COUNTY	TOTAL SHEETS	SHEET NO.
781	1YRS, 2ZRS-1	CRAWFORD	378	12
STA.		TO STA.		
FED. ROAD DIST. NO.	ILLINOIS	FED. AID PROJECT		



TYPICAL RTE. 33 URBAN SECTION (TANGENT)

STA. 2+756.900 TO STA. 3+394.700
 STA. 3+736.200 TO STA. 4+334.882



- LEGEND**
- ① EXISTING BITUMINOUS SURFACE
 - ② EXISTING P.C. CONCRETE BASE
 - ③ EXISTING EARTH SHOULDER
 - ④ EXISTING CONCRETE CURB AND GUTTER
 - ⑤ EXISTING CONCRETE SIDEWALK
 - ⑥ M4400715 - HOT-MIX ASPHALT SURFACE REMOVAL, 15mm
 - ⑥ M4400725 - HOT-MIX ASPHALT SURFACE REMOVAL, 25mm
 - ⑥ M4400740 - HOT-MIX ASPHALT SURFACE REMOVAL, 40mm
 - ⑦ M4400950 - HOT-MIX ASPHALT SURFACE REMOVAL, VARIABLE DEPTH
 - ⑧ M4402000 - PAVEMENT REMOVAL
 - ⑨ M4402050 - SIDEWALK REMOVAL
 - ⑩ M3552100 - HOT-MIX ASPHALT BASE COURSE, VARIABLE DEPTH
 - ⑪ M4820550 - HOT-MIX ASPHALT SHOULDERS, 150mm
 - ⑫ M4063340 - HOT-MIX ASPHALT SURFACE COURSE, MIX "D", N70 (38mm)
 - ⑬ M4062135 - LEVELING BINDER (MACHINE METHOD), N70 (49mm)
 - ⑭ M4063080 - HOT-MIX ASPHALT BINDER COURSE, IL 19.0, N50 (VARIABLE DEPTH)
 - ⑮ M4075350 - HOT-MIX ASPHALT PAVEMENT (FULL DEPTH), 350mm (312mm BASE COURSE, 38mm SURFACE COURSE)
 - ⑯ M3530200 - PORTLAND CEMENT CONCRETE BASE COURSE, 200mm
 - ⑰ M3111100 - SUB-BASE GRANULAR MATERIAL, TYPE B, 100mm
 - ⑱ M3101500 - LIME
 - ⑱ M3100300 - PROCESSING LIME STABILIZED SOIL MIXTURE, 300mm
 - ⑲ M4810150 - AGGREGATE SHOULDERS, TYPE B 150mm
 - ⑳ M6060700 - COMBINATION CONCRETE CURB & GUTTER, TYPE B-15.60
 - ㉑ M4240100 - P.C. CONCRETE SIDEWALK, 100mm
 - ㉒ MX032553 - TOPSOIL EXCAVATION
 - ㉓ MX032879 - TOPSOIL PLACEMENT
 - ㉔ M2021200 - REMOVAL AND DISPOSAL OF UNSUITABLE MATERIAL
 - ㉕ MZ034730 - MODULAR RETAINING WALL SYSTEM
 - ㉖ PROPOSED STORM SEWER TRUNKLINE

#SEE HMA SURFACE REMOVAL SCHEDULE FOR LIMITS

REVISIONS

NAME	DATE
K.ROSE	1/04/00
R.G.H.	11/28/06
L.W.J.	03/19/08

ILLINOIS DEPARTMENT OF TRANSPORTATION

TYPICAL SECTIONS

F.A.P. 781

SCALE NO SCALE DRAWN BY KOJ
 DATE MARCH 20, 2008 CHECKED BY RGH

PLOT DATE = 3/20/2008
 FILE NAME = H:\4420\781\99_tjpac.dgn

H. M. & G. NO. 4420