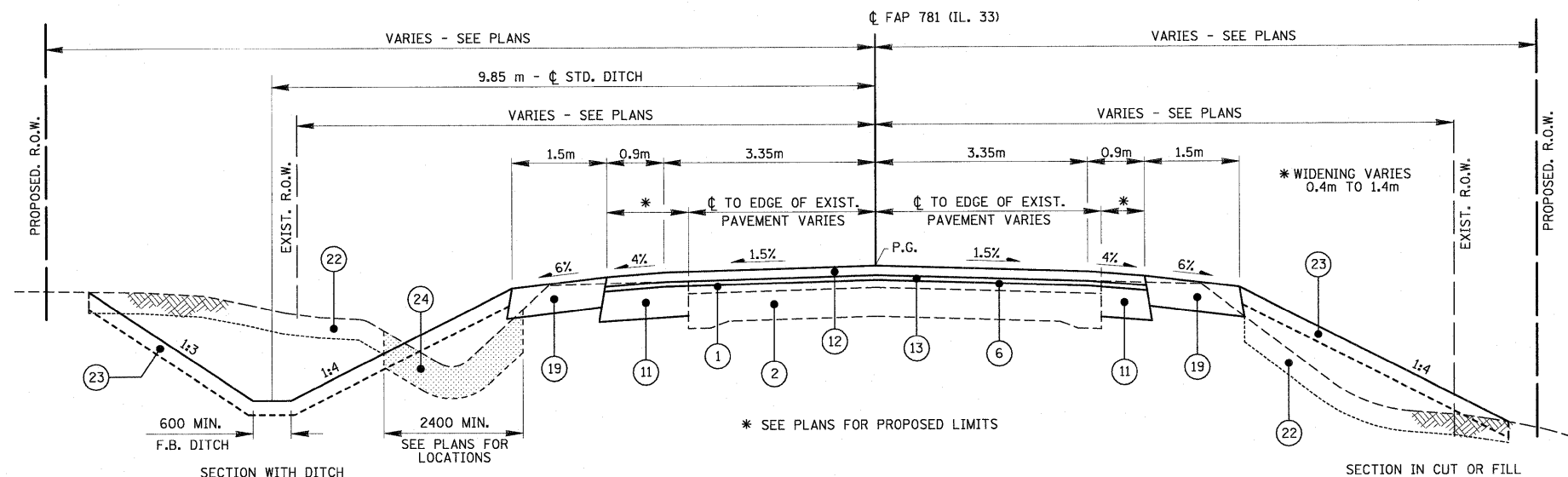
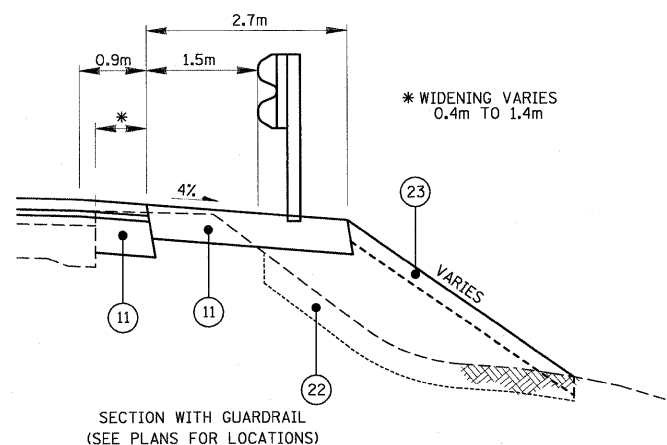


F.A.P. RTE.	SECTION	COUNTY	TOTAL SHEETS	SHEET NO.
781	1YRS, 2ZRS-1	CRAWFORD	378	10
STA. TO STA.		FED. ROAD DIST. NO. ILLINOIS FED. AID PROJECT		



TYPICAL RTE. 33 RURAL SECTION (TANGENT)

STA. 0+915.000 TO STA. 1+847.948	STA. 1+847.948 TO STA. 2+153.592	STA. 2+153.592 TO STA. 4+475.071	STA. 4+475.071 TO STA. 5+025.000	STA. 5+025.000 TO STA. 6+156.199	STA. 6+156.199 TO STA. 6+597.330	STA. 6+597.330 TO STA. 7+152.219	STA. 7+152.219 TO STA. 7+338.093	STA. 7+338.093 TO STA. 7+501.210	STA. 7+501.210 TO STA. 9+385.000	STA. 9+385.000 TO STA. 9+580.000	STA. 9+580.000 TO STA. 11+870.118	STA. 11+870.118 TO STA. 12+142.906	STA. 12+142.906 TO STA. 12+291.152	STA. 12+291.152 TO STA. 12+587.276	STA. 12+587.276 TO STA. 13+143.500	STA. 13+143.500 TO STA. 13+752.021 (AHD)	STA. 13+752.021 (AHD) TO STA. 16+016.000
----------------------------------	----------------------------------	----------------------------------	----------------------------------	----------------------------------	----------------------------------	----------------------------------	----------------------------------	----------------------------------	----------------------------------	----------------------------------	-----------------------------------	------------------------------------	------------------------------------	------------------------------------	------------------------------------	--	--

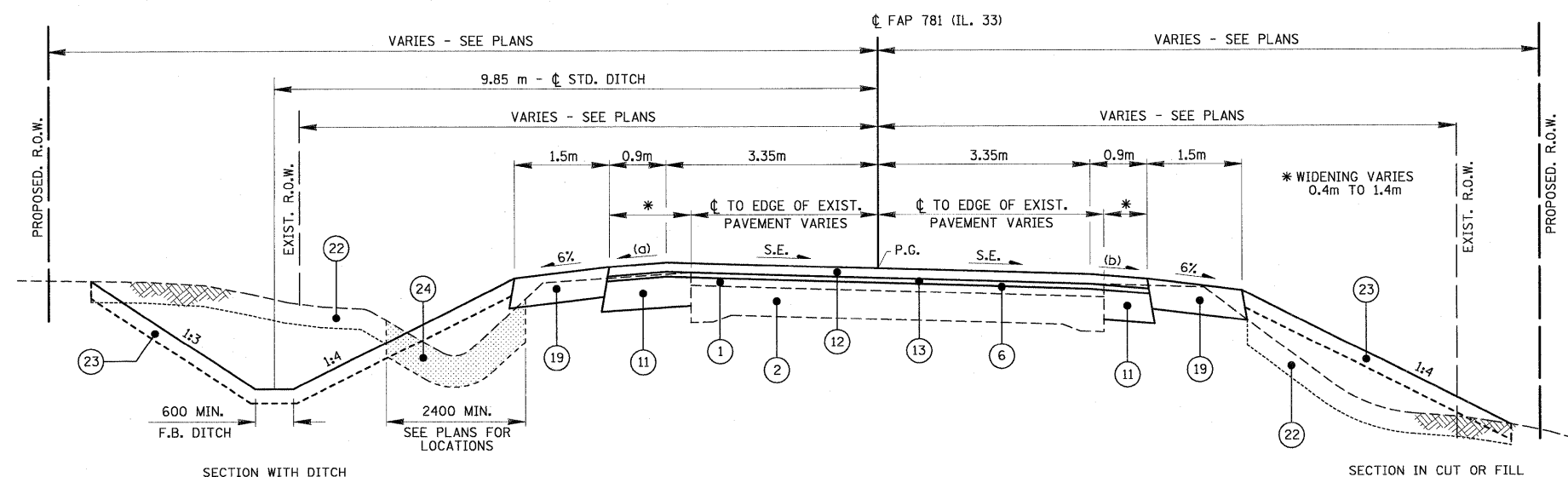


LEGEND

- ① EXISTING BITUMINOUS SURFACE
- ② EXISTING P.C. CONCRETE BASE
- ③ EXISTING EARTH SHOULDER
- ④ EXISTING CONCRETE CURB AND GUTTER
- ⑤ EXISTING CONCRETE SIDEWALK
- ⑥ M4400715 - HOT-MIX ASPHALT SURFACE REMOVAL, 15mm
- M4400725 - HOT-MIX ASPHALT SURFACE REMOVAL, 25mm
- M4400740 - HOT-MIX ASPHALT SURFACE REMOVAL, 40mm
- ⑦ M4400950 - HOT-MIX ASPHALT SURFACE REMOVAL, VARIABLE DEPTH
- ⑧ M4402000 - PAVEMENT REMOVAL
- ⑨ M4402050 - SIDEWALK REMOVAL
- ⑩ M3552100 - HOT-MIX ASPHALT BASE COURSE, VARIABLE DEPTH
- ⑪ M4820550 - HOT-MIX ASPHALT SHOULDERS, 150mm
- ⑫ M4063340 - HOT-MIX ASPHALT SURFACE COURSE, MIX "D", N70 (38mm)
- ⑬ M4062135 - LEVELING BINDER (MACHINE METHOD), N70 (19mm)
- ⑭ M4063080 - HOT-MIX ASPHALT BINDER COURSE, IL-19.0, N50 (VARIABLE DEPTH)
- ⑮ M4075350 - HOT-MIX ASPHALT PAVEMENT (FULL DEPTH), 350mm (312mm BASE COURSE, 38mm SURFACE COURSE)
- ⑯ M3530200 - PORTLAND CEMENT CONCRETE BASE COURSE, 200mm
- ⑰ M3111100 - SUB-BASE GRANULAR MATERIAL, TYPE B, 100mm
- ⑱ M3101500 - LIME
- M3100300 - PROCESSING LIME STABILIZED SOIL MIXTURE, 300mm
- ⑲ M4810150 - AGGREGATE SHOULDERS, TYPE B 150mm
- ⑳ M6060700 - COMBINATION CONCRETE CURB & GUTTER, TYPE B-15.60
- ㉑ M4240100 - P.C. CONCRETE SIDEWALK, 100mm
- ㉒ MX032553 - TOPSOIL EXCAVATION
- ㉓ MX032879 - TOPSOIL PLACEMENT
- ㉔ M2021200 - REMOVAL AND DISPOSAL OF UNSUITABLE MATERIAL
- ㉕ MZ034730 - MODULAR RETAINING WALL SYSTEM
- ㉖ PROPOSED STORM SEWER TRUNKLINE

NOTES:

- LEVELING BINDER THICKNESS TO BE 19 mm AT ϕ AND 19 mm OR GREATER AT PAVEMENT EDGES, EXCEPT AT THE BRUSH CREEK VERTICAL REALIGNMENT AREA IN WHICH THE LEVELING BINDER THICKNESS WILL VARY.
- DITCH DEPTH AND BACKSLOPES VARY IN SPECIAL DITCH LOCATIONS AND BY CERTAIN LANDOWNERS; SEE PLANS FOR EXCEPTION AREAS
- (a) WHEN THE SUPERELEVATION RATE OF THE PAVEMENT IS BETWEEN 0% AND 4%, THE SHOULDER SLOPE SHALL BE 4%. WHEN THE SUPERELEVATION RATE OF THE PAVEMENT EXCEEDS 4%, THE SHOULDER SHALL BE SLOPED SO THAT THE ALGEBRAIC DIFFERENCE BETWEEN PAVEMENT AND SHOULDER IS NOT GREATER THAN 8%.
- (b) SLOPE SHALL BE THE SAME AS THE SUPERELEVATION RATE, BUT NOT LESS THAN 4%.



TYPICAL RTE. 33 RURAL SECTION (SUPERELEVATED)

STA. 1+847.948 TO STA. 2+153.592	STA. 2+153.592 TO STA. 4+475.071	STA. 4+475.071 TO STA. 5+025.000	STA. 5+025.000 TO STA. 6+156.199	STA. 6+156.199 TO STA. 6+597.330	STA. 6+597.330 TO STA. 7+152.219	STA. 7+152.219 TO STA. 7+338.093	STA. 7+338.093 TO STA. 7+501.210	STA. 7+501.210 TO STA. 9+385.000	STA. 9+385.000 TO STA. 9+580.000	STA. 9+580.000 TO STA. 11+870.118	STA. 11+870.118 TO STA. 12+142.906	STA. 12+142.906 TO STA. 12+291.152	STA. 12+291.152 TO STA. 12+587.276
----------------------------------	----------------------------------	----------------------------------	----------------------------------	----------------------------------	----------------------------------	----------------------------------	----------------------------------	----------------------------------	----------------------------------	-----------------------------------	------------------------------------	------------------------------------	------------------------------------

REVISIONS	
NAME	DATE
K.ROSE	1/04/00
R.G.H.	11/28/06
L.W.J.	03/19/08

ILLINOIS DEPARTMENT OF TRANSPORTATION

TYPICAL SECTIONS
F.A.P. 781

SCALE NO SCALE DRAWN BY KOJ
DATE MARCH 20, 2008 CHECKED BY RGH

PLOT DATE = 3/20/2008
FILE NAME = H:\4420\78009\tyrpano.dgn

H. M. & G. NO. 4420