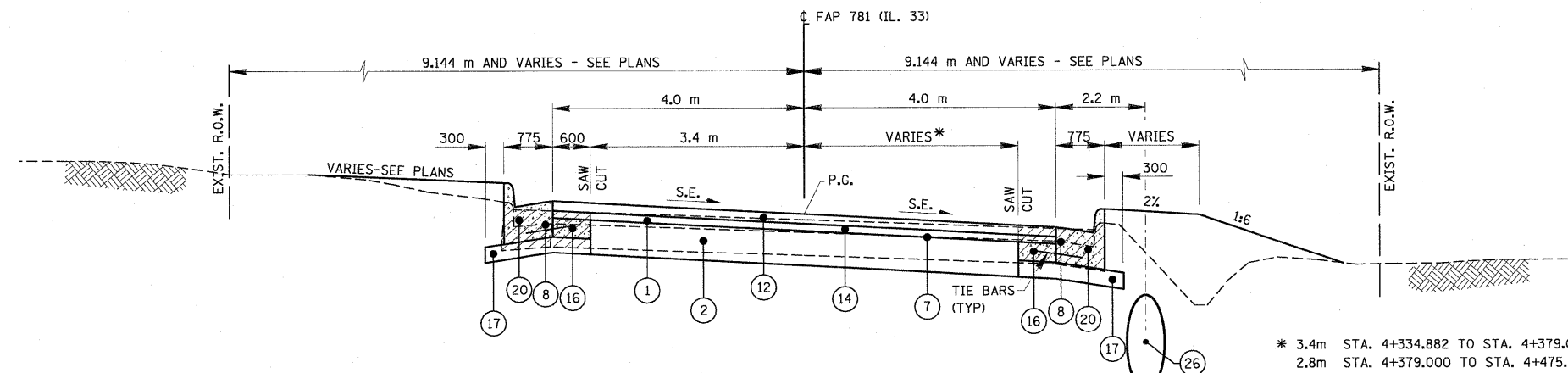
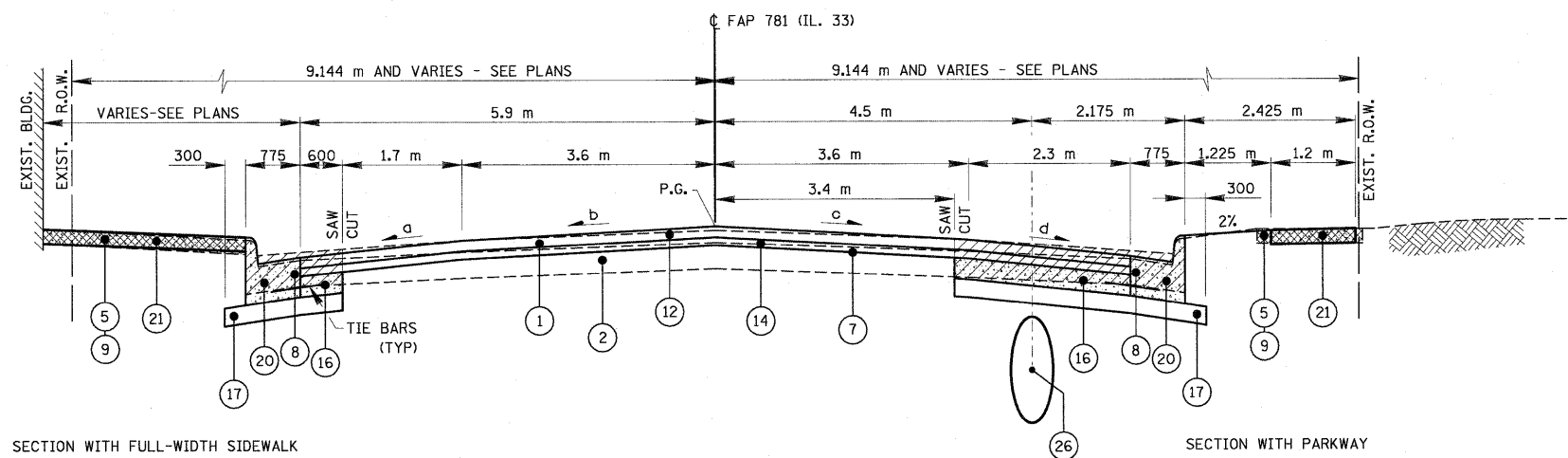


F.A.P. RTE.	SECTION	COUNTY	TOTAL SHEETS	SHEET NO.
781	1YRS, 2ZRS-1	CRAWFORD	378	13
STA.		TO STA.		
FED. ROAD DIST. NO.	ILLINOIS	FED. AID PROJECT		



TYPICAL RTE. 33 URBAN SECTION (SUPERELEVATED)
STA. 4+334.882 TO STA. 4+475.071



SECTION WITH FULL-WIDTH SIDEWALK

SECTION WITH PARKWAY

LOCATION	PAVEMENT CROSSLAPES (PERCENT)			
	a	b	c	d
STA. 3+394.700 TO STA. 3+463.476	4.0	2.0	2.0	4.0
STA. 3+463.476 TO STA. 3+468.500	4.0	2.0	2.0	TRANSITION
STA. 3+468.500 TO STA. 3+488.500	4.0	2.0	2.0	3.0
STA. 3+488.500 TO STA. 3+498.500	4.0	TRANSITION	2.0	3.0
STA. 3+498.500 TO STA. 3+525.000	4.0	4.0	2.0	3.0
STA. 3+525.000 TO STA. 3+532.500	4.0	4.0	TRANSITION	TRANSITION
STA. 3+532.500 TO STA. 3+675.000	4.0	4.0	1.5	1.5
STA. 3+675.000 TO STA. 3+725.000	4.0	TRANSITION	TRANSITION	TRANSITION
STA. 3+725.000 TO STA. 3+736.200	4.0	2.0	2.0	4.0

TYPICAL RTE. 33 URBAN SECTION (TANGENT)
STA. 3+394.700 TO STA. 3+736.200
RANGE ST. (NORTH & SOUTH)

LEGEND

- ① EXISTING BITUMINOUS SURFACE
- ② EXISTING P.C. CONCRETE BASE
- ③ EXISTING EARTH SHOULDER
- ④ EXISTING CONCRETE CURB AND GUTTER
- ⑤ EXISTING CONCRETE SIDEWALK
- ⑥ M4400715 - HOT-MIX ASPHALT SURFACE REMOVAL, 15mm
M4400725 - HOT-MIX ASPHALT SURFACE REMOVAL, 25mm
M4400740 - HOT-MIX ASPHALT SURFACE REMOVAL, 40mm
- ⑦ M4400950 - HOT-MIX ASPHALT SURFACE REMOVAL, VARIABLE DEPTH
- ⑧ M4402000 - PAVEMENT REMOVAL
- ⑨ M4402050 - SIDEWALK REMOVAL
- ⑩ M3552100 - HOT-MIX ASPHALT BASE COURSE, VARIABLE DEPTH
- ⑪ M4820550 - HOT-MIX ASPHALT SHOULDERS, 150mm
- ⑫ M4063340 - HOT-MIX ASPHALT SURFACE COURSE, MIX "D", N70 (38mm)
- ⑬ M4062135 - LEVELING BINDER (MACHINE METHOD), N70 (19mm)
- ⑭ M4063080 - HOT-MIX ASPHALT BINDER COURSE, IL-19.0, N50 (VARIABLE DEPTH)
- ⑮ M4075350 - HOT-MIX ASPHALT PAVEMENT (FULL DEPTH), 350mm (312mm BASE COURSE, 38mm SURFACE COURSE)
- ⑯ M3530200 - PORTLAND CEMENT CONCRETE BASE COURSE, 200mm
- ⑰ M3111100 - SUB-BASE GRANULAR MATERIAL, TYPE B, 100mm
- ⑱ M3101500 - LIME
M3100300 - PROCESSING LIME STABILIZED SOIL MIXTURE, 300mm
- ⑲ M4810150 - AGGREGATE SHOULDERS, TYPE B 150mm
- ⑳ M6060700 - COMBINATION CONCRETE CURB & GUTTER, TYPE B-15.60
- ㉑ M4240100 - P.C. CONCRETE SIDEWALK, 100mm
- ㉒ MX032553 - TOPSOIL EXCAVATION
- ㉓ MX032879 - TOPSOIL PLACEMENT
- ㉔ M2021200 - REMOVAL AND DISPOSAL OF UNSUITABLE MATERIAL
- ㉕ M2034730 - MODULAR RETAINING WALL SYSTEM
- ㉖ PROPOSED STORM SEWER TRUNKLINE

REVISIONS		ILLINOIS DEPARTMENT OF TRANSPORTATION
NAME	DATE	
K.ROSE	1/04/00	TYPICAL SECTIONS F.A.P. 781 SCALE NO SCALE DRAWN BY KOJ DATE MARCH 20, 2008 CHECKED BY RGH
R.G.H.	11/28/06	
L.W.J.	03/19/08	

PLOT DATE = 3/20/2008
FILE NAME = H:\4420\780091_tjpasac.dgn