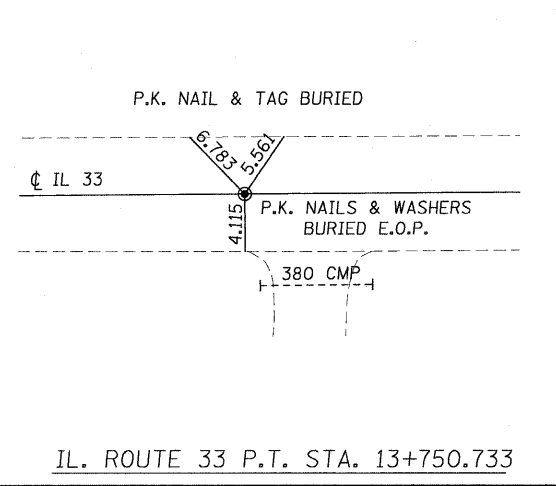
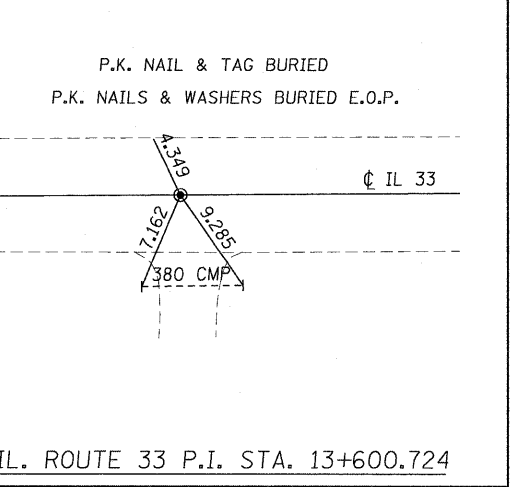
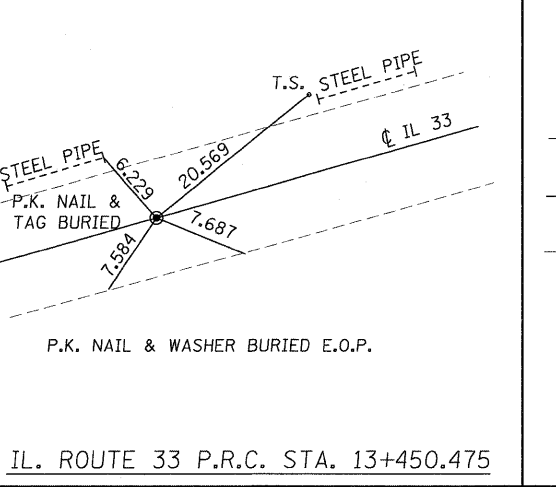
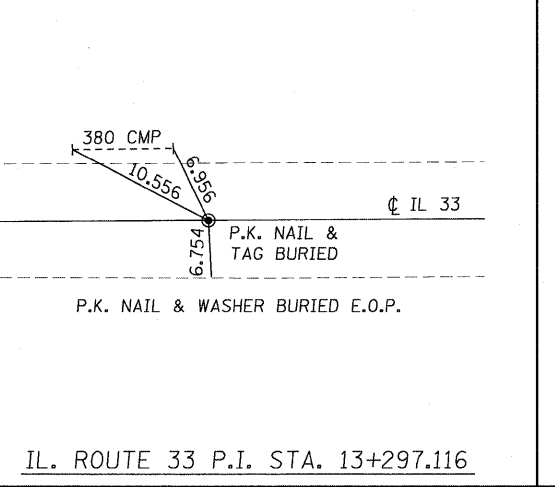
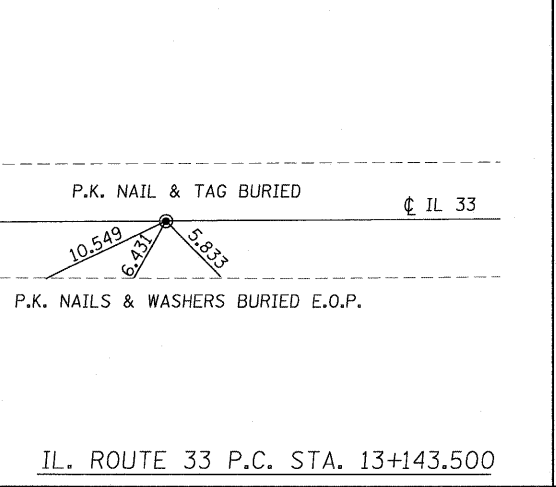
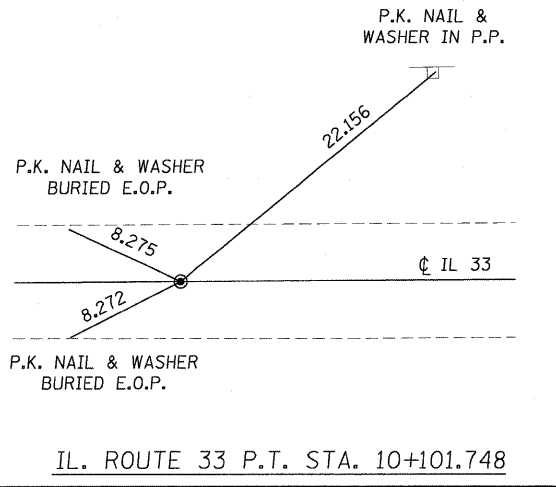
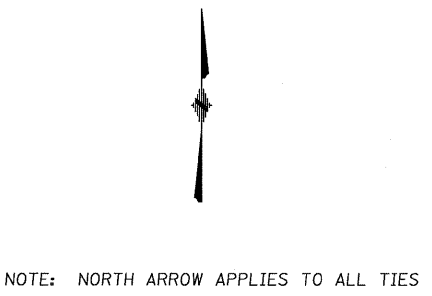
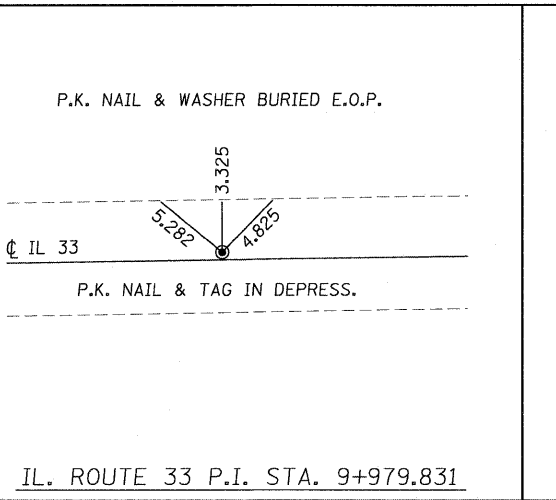
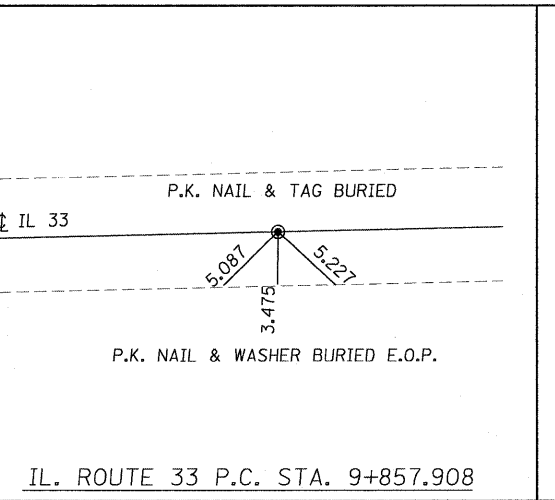
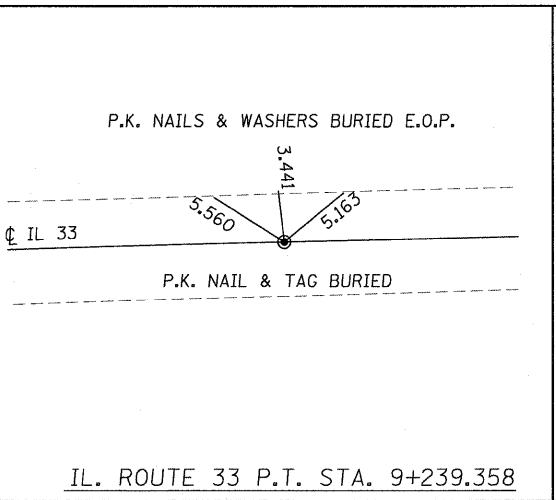
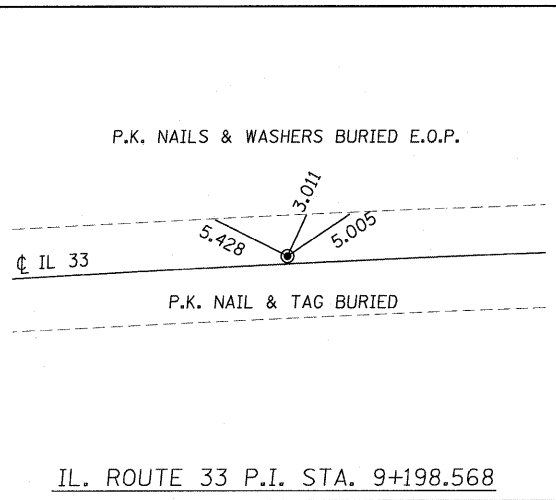


F.A.P. RTE.	SECTION	COUNTY	TOTAL SHEETS	SHEET NO.
781	1YRS, 2ZRS-1	CRAWFORD	378	40
STA.		TO STA.		
FED. ROAD DIST. NO.		ILLINOIS	FED. AID PROJECT	



REVISIONS		ILLINOIS DEPARTMENT OF TRANSPORTATION
NAME	DATE	
		LOCAL TIES
SCALE NO SCALE		DRAWN BY EDW
DATE MARCH 20, 2008		CHECKED BY RGH

PLOT DATE = 3/20/2008  
FILE NAME = H:\1420\70040.se.dgn

H. M. & G. NO. 4420