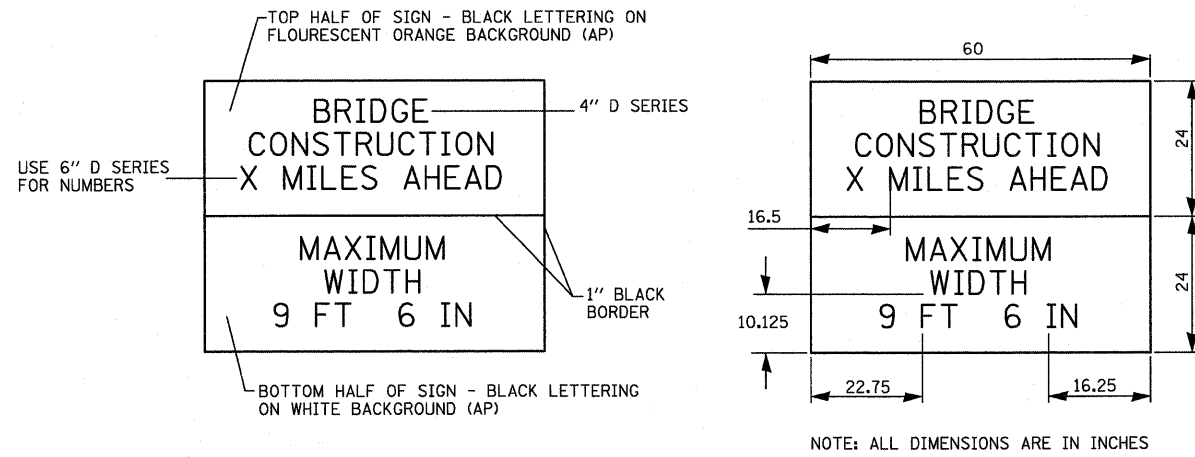
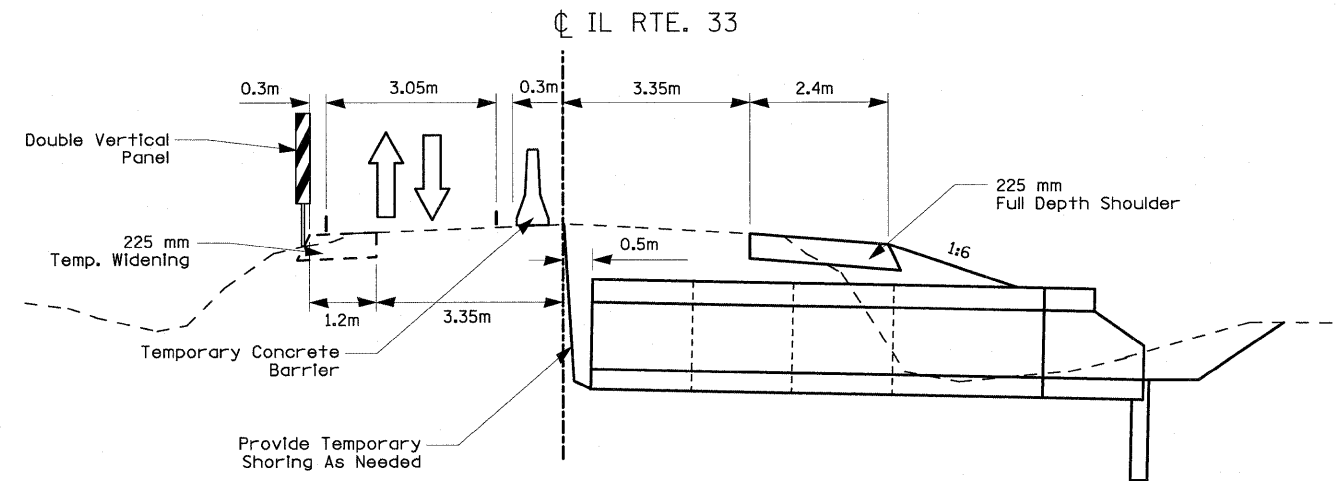


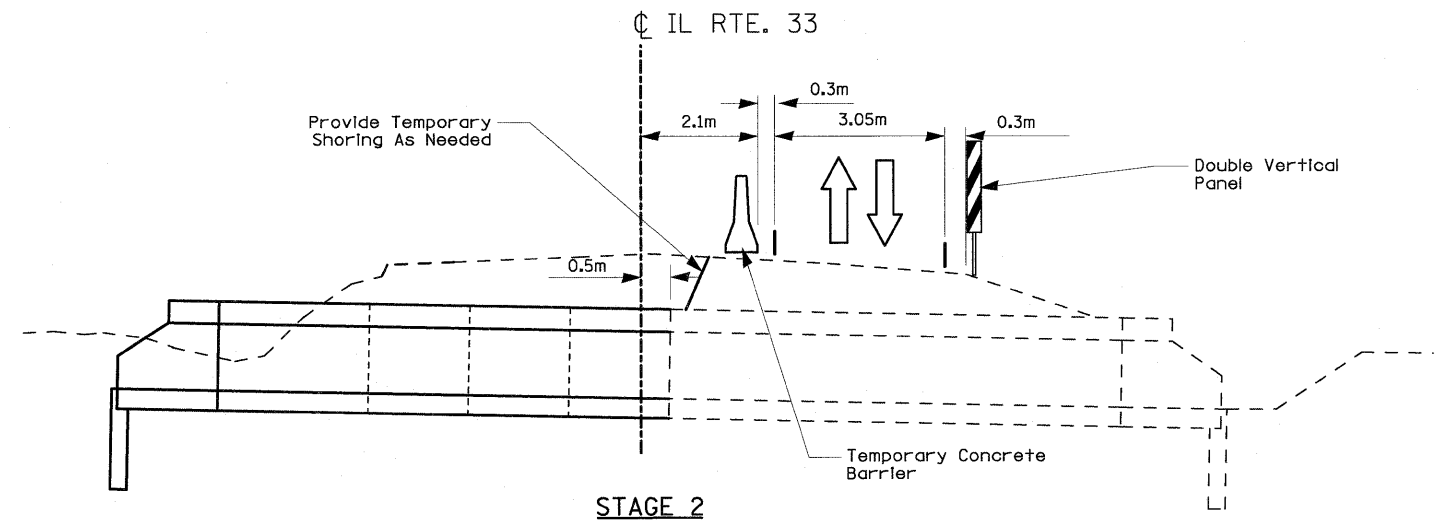
F.A.P. RTE.	SECTION	COUNTY	TOTAL SHEETS	SHEET NO.
781	1YRS, 2ZRS-1	CRAWFORD	378	111
STA.		TO STA.		
FED. ROAD DIST. NO.		ILLINOIS	FED. AID PROJECT	



WIDTH RESTRICTION SIGN



STAGE 1



STAGE 2

TRAFFIC CONTROL NOTES:

THE CONTRACTOR SHALL UTILIZE TRAFFIC CONTROL STANDARD 701321 DURING EXECUTION OF THIS WORK. TEMPORARY BRIDGE TRAFFIC SIGNALS, TEMPORARY RUMBLE STRIPS, TEMPORARY CONCRETE BARRIER, AND IMPACT ATTENUATORS SHALL BE PAID FOR AT THE CONTRACT UNIT PRICE FOR SAID ITEMS, ALL OTHER STRIPING, STRIPING REMOVAL, SIGNAGE, ETC. REQUIRED BY THE STANDARD SHALL BE INCLUDED IN THE CONTRACT UNIT PRICE PER EACH FOR TRAFFIC CONTROL AND PROTECTION, STANDARD 701321 (SPECIAL) ONCE FOR EACH CULVERT LOCATION. NO ADDITIONAL COMPENSATION WILL BE ALLOWED FOR ANY CHANGES OR ADJUSTMENTS TO THE TRAFFIC CONTROL DURING THE CONVERSION TO STAGE 2 OF THE WORK.

THE CONTRACTOR SHALL SUPPLY, SET, AND MAINTAIN TWO (2) WIDTH RESTRICTION WARNING SIGNS, AS SHOWN IN THE DETAIL, PRIOR TO COMMENCING WORK UNLESS THEY ARE ALREADY IN PLACE FOR OTHER ITEMS OF WORK. THE SIGNS SHALL BE PLACED AT THE INTERSECTIONS OF IL 33 AND IL 49 AND IL 33 AND IL 1, OR OTHER LOCATION, AS DIRECTED BY THE ENGINEER.

ALL LABOR AND MATERIALS REQUIRED TO SUPPLY, SET, AND MAINTAIN THESE SIGNS WILL NOT BE PAID FOR SEPARATELY, BUT SHALL BE INCLUDED IN THE CONTRACT UNIT PRICE PER EACH FOR TRAFFIC CONTROL AND PROTECTION, STANDARD 701321 (SPECIAL).

DOUBLE VERTICAL PANELS, AS SHOWN IN THE DETAIL, SHALL BE USED IF GUARDRAIL IS NOT PRESENT. ALL LABOR AND MATERIALS REQUIRED TO SUPPLY, SET, AND MAINTAIN THE PANELS WILL NOT BE PAID FOR SEPARATELY, BUT SHALL BE INCLUDED IN THE CONTRACT UNIT PRICE PER EACH FOR TRAFFIC CONTROL AND PROTECTION, STANDARD 701321 (SPECIAL).

THE CONTRACT QUANTITIES INCLUDE 100 METERS OF TEMPORARY CONCRETE BARRIER AND TWO (2) IMPACT ATTENUATORS FOR EACH CULVERT LOCATION.

REVISIONS		ILLINOIS DEPARTMENT OF TRANSPORTATION CULVERT REPLACEMENT AND INSTALLATION
NAME	DATE	
		<p>STAGING PLAN</p> <p>SCALE NO SCALE DRAWN BY EDW</p> <p>DATE APRIL 18, 2008 CHECKED BY RGH</p>

PLOT DATE = 4/18/2008
FILE NAME = H:\420\78111_rural_culvert_staging.dgn

H. M. & G. NO. 4420