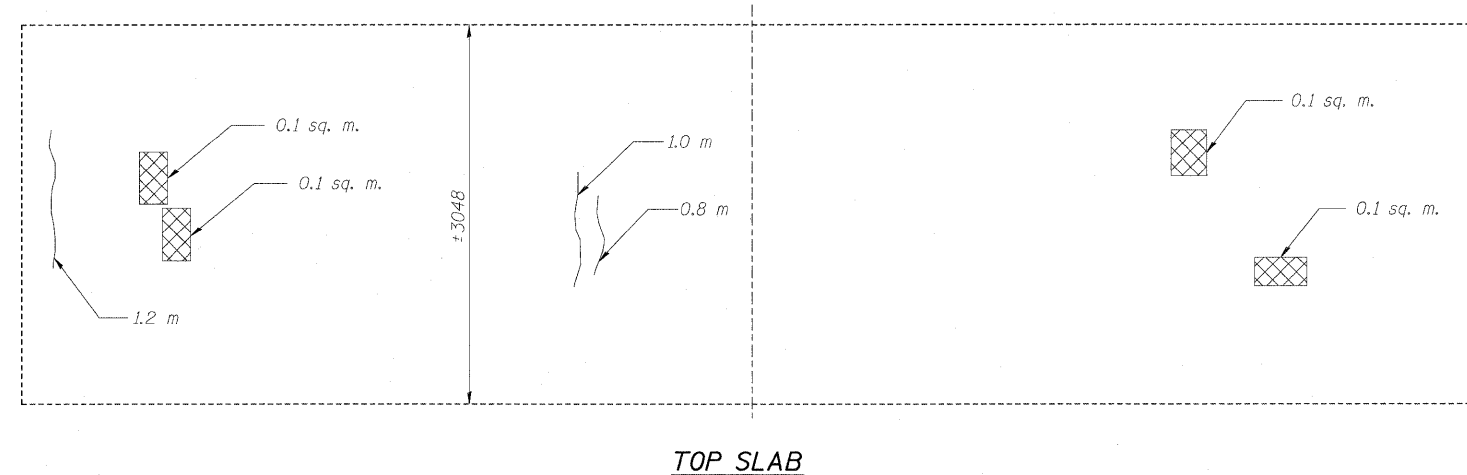
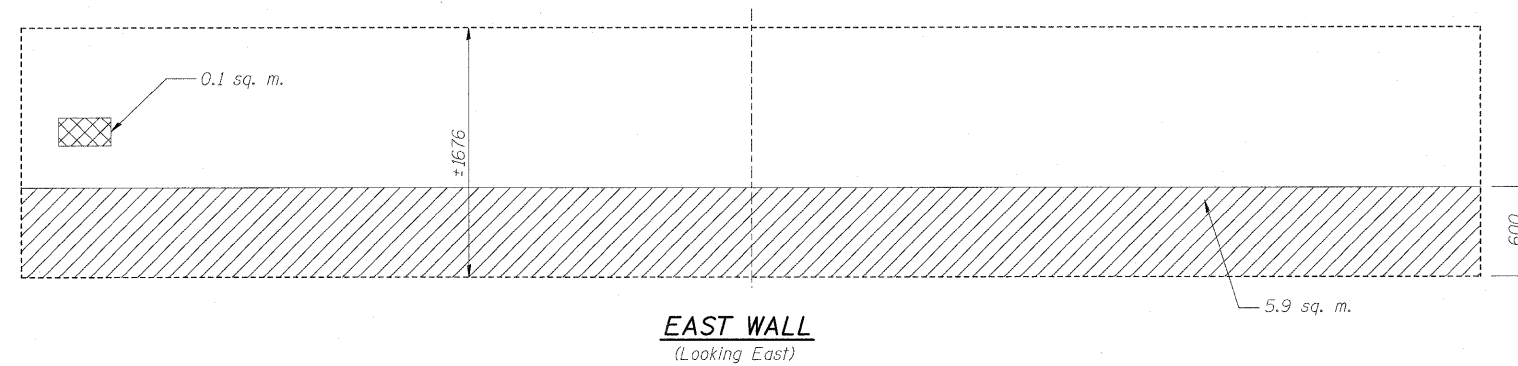
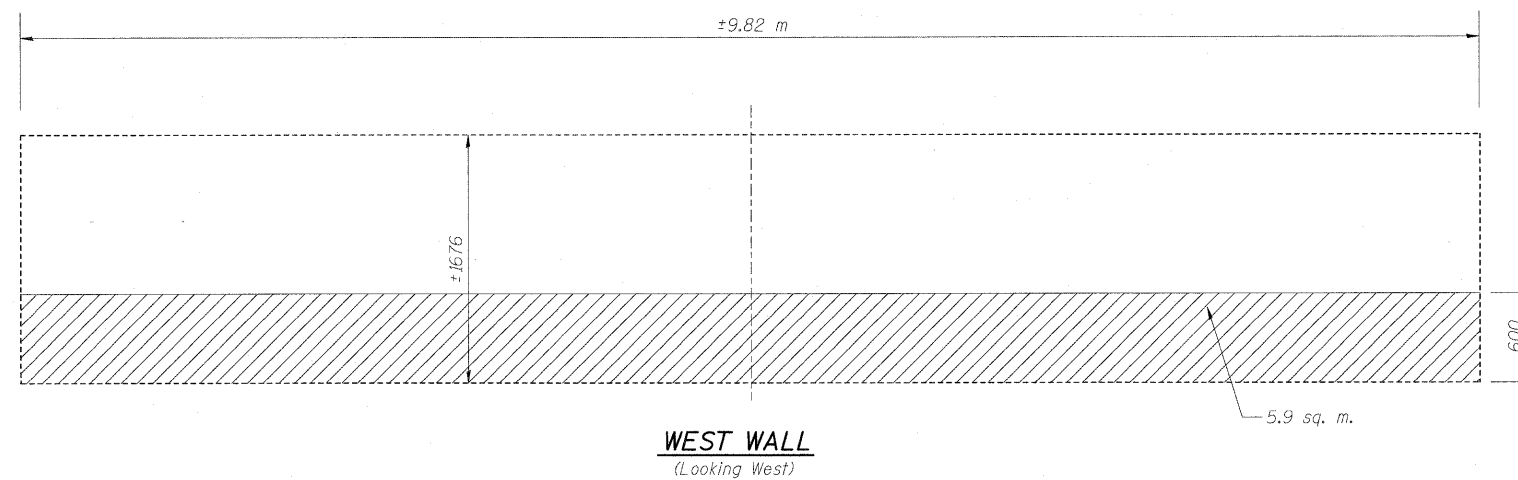


CONTRACT NO.				
F.A.P. RTE.	SECTION	COUNTY	TOTAL SHEETS	SHEET NO.
781	1YRS, 2ZRS-1	CRAWFORD	378	187
STA.		TO STA.		
FED. ROAD DIST. NO.	ILLINOIS	FED. AID PROJECT		



Note:

The quantities shown are for estimating purposes only. The actual area to be repaired will be determined by the Engineer at the time of construction. Actual repair locations shall be shown on the "As Built" plans.

LEGEND

- Polymer Modified Portland Cement Mortar
- Structural Repair of Concrete (Depth Equal to or Less than 125mm)
- Epoxy Crack Injection
- m - Meter
- sq. m. - Square Meter

BILL OF MATERIAL - BOX CULVERT NO. 8

	Item	Unit	Total
MX033694	Structural Repair of Concrete (Depth Equal to or Less than 125mm)	sq. m.	0.6
M5900200	Epoxy Crack Injection	m	3.6
MX032196	Polymer Modified Portland Cement Mortar	sq. m.	14.2

Quantity increased by 20% to account for deterioration since field inspection.

PLOT DATE = 3/20/2006
FILE NAME = H:\4420\442015 (Lin Eng)\design files\12-18-2006\5-96.dgn

REVISIONS		ILLINOIS DEPARTMENT OF TRANSPORTATION BOX CULVERT EXTENSIONS CONCRETE REPAIR DETAILS BOX CULV. NO. 8, STA. 5+750.192
NAME	DATE	
		SCALE NONE DATE DECEMBER 10, 2006 DRAWN BY MLB CHECKED BY MTH