

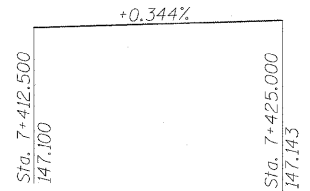
F.A.P. RTE.	SECTION	COUNTY	TOTAL SHEETS	SHEET NO.
781	1YRS, 2ZRS-1	CRAWFORD	378	190
STA.		TO STA.		
FED. ROAD DIST. NO.		ILLINOIS	FED. AID PROJECT	

Existing Structure: The structure is a single barrel 914 mm x 610 mm box culvert at a skew of 0°07'08" right forward. The culvert has an overall length of 9.73 m. The contractor shall extend the culvert on each end for the dimensions shown.

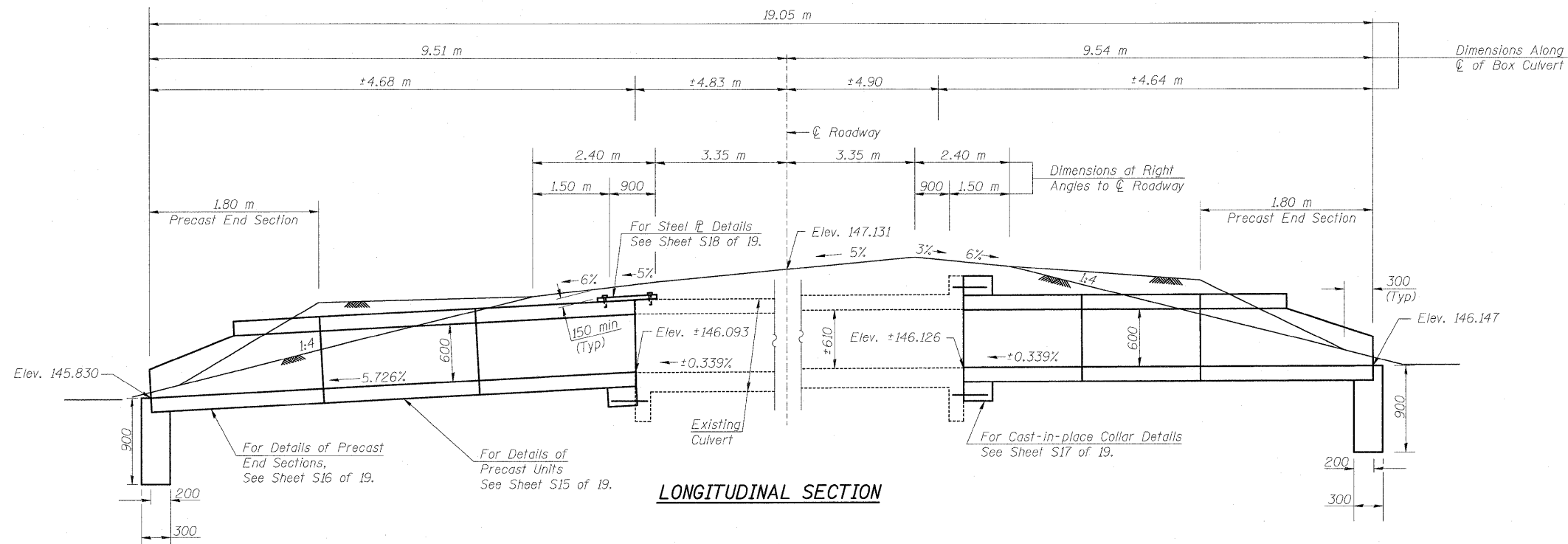
CURVE P11 DATA

PI STA. 7+419.751
 $\Delta = 9^\circ 10' 39''$ (LT)
 T = 46.658 m
 R = 581.332 m
 L = 93.117 m
 E = 1.869 m
 S.E. = 5.0%
 PC STA 7+373.093
 PT STA 7+466.210

Attain S.E. Sta. 7+338.093 to 7+385.093
 and Sta. 7+454.210 to 7+501.210



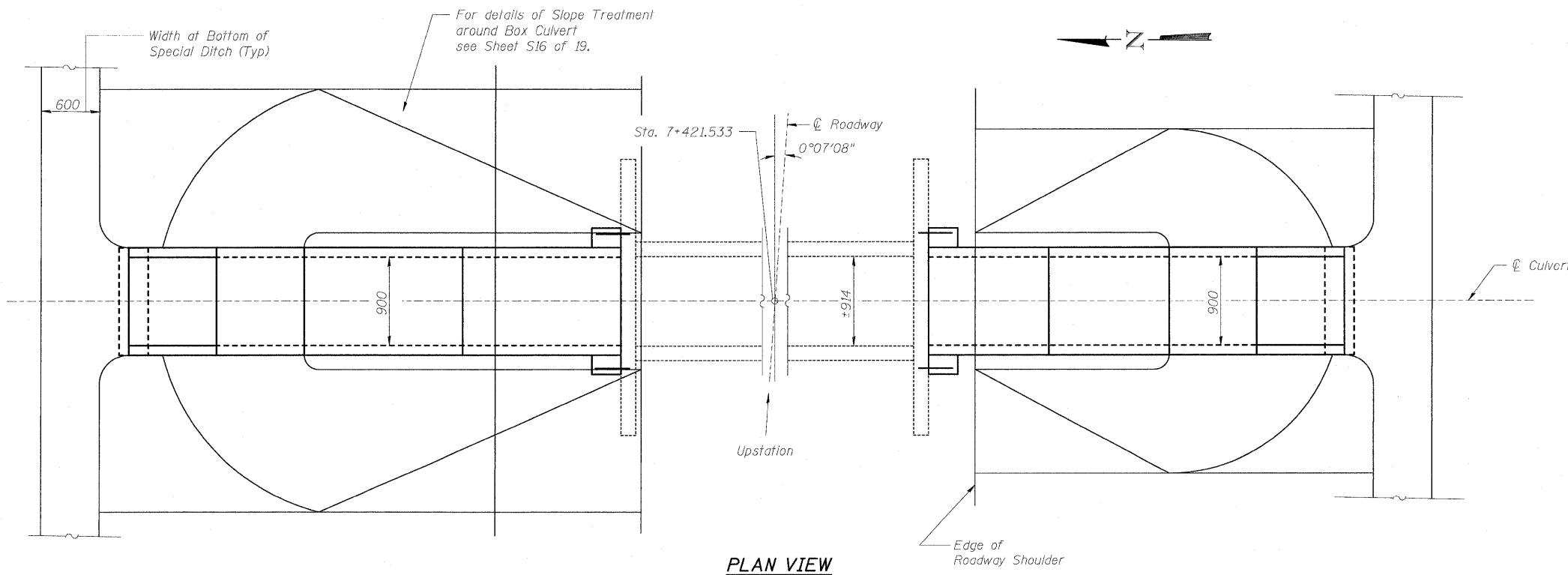
PROFILE GRADE



LONGITUDINAL SECTION

BILL OF MATERIAL - BOX CULVERT NO. 11

Item	Unit	Total
M5030350 Concrete Structures	cu. m.	0.5
M5080205 Reinforcement Bars, Epoxy Coated	kg	90
M5401005 Precast Concrete Box Culvert (900x600)	m	5.7
5401011 Box Culvert End Section, Culvert No. 11	Each	2
M5403220 Expansion Bolts (M20x250)	Each	21
M2810707 Stone Riprap, Class A4	sq. m.	See Plans
M5050405 Furnishing & Erecting Structural Steel	kg	130



PLAN VIEW

REVISIONS		ILLINOIS DEPARTMENT OF TRANSPORTATION BOX CULVERT EXTENSIONS GENERAL PLAN & ELEVATION BOX CULV. NO. 11, STA. 7+421.533
NAME	DATE	
		SCALE NONE DATE DECEMBER 10, 2006
		DRAWN BY MLB CHECKED BY MTH

PLOT DATE = 3/20/2008
 FILE NAME = H:\4420\44205 (Lin. Eng)\design files 12-18-2006\5-08.dgn