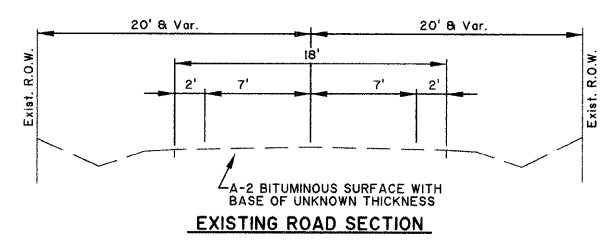


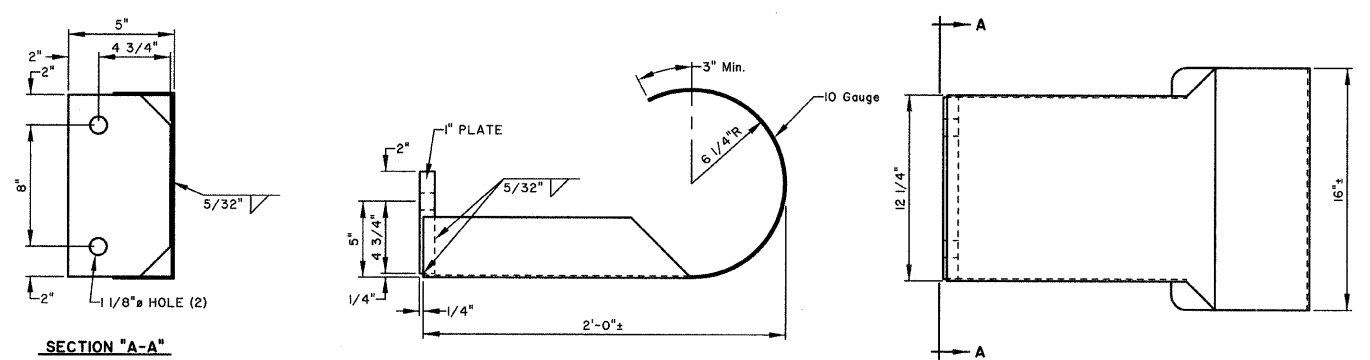
\* STA. 8+00 to 8+50  
7.97' to 9.00' (Lt)  
7.97' to 9.00' (Rt)  
STA. 11+50 to 12+00  
9.00' to 6.99' (Lt)  
9.00' to 6.99' (Rt)

\*\* STA. 8+00 to 8+50  
0' to 2.00' (Lt)  
0' to 2.00' (Rt)  
STA. 11+50 to 12+00  
2.00' to 0' (Lt)  
2.00' to 0' (Rt)

**PROPOSED TYPICAL SECTION - TR 4B**  
STATION 8+00 TO STATION 12+00



**EXISTING ROAD SECTION**



**CURLED END SECTION DETAIL**  
COST INCLUDED IN "STEEL RAILING, TYPE S-1"  
(4 REQUIRED)

**SUMMARY OF QUANTITIES**

ITEM #	ITEM	UNIT	QUANTITY
20100500	TREE REMOVAL, ACRES	ACRE	0.20
20200100	EARTH EXCAVATION	CU YD	213
20300100	CHANNEL EXCAVATION	CU YD	160
20400800	FURNISHED EXCAVATION	CU YD	117
25001000	SEEDING, CLASS 2 (SPECIAL)	ACRE	0.3
28000310	AGGREGATE DITCH CHECKS	EACH	4
28100807	STONE DUMPED RIPRAP, CLASS A4	TON	285
35101400	AGGREGATE BASE COURSE, TYPE B	TON	60
40200800	AGGREGATE SURFACE COURSE, TYPE B	TON	320
50100100	REMOVAL OF EXISTING STRUCTURES	EACH	1
50300225	CONCRETE STRUCTURES	CU YD	18.2
50300280	CONCRETE ENCASEMENT	CU YD	2.1
50400505	PRECAST PRESTRESSED CONCRETE DECK BEAMS (27" DEPTH)	SQ FT	1200
50800105	REINFORCEMENT BARS	POUND	2300
* 50900205	STEEL RAILING, TYPE S1	FOOT	100
51201400	FURNISHING STEEL PILES HP 10 X 42	FOOT	149
51202305	DRIVING PILES	FOOT	149
51203400	TEST PILE STEEL HP 10 X 42	EACH	1
51500100	NAME PLATES	EACH	1
67100100	MOBILIZATION	LS	1
70101830	TRAFFIC CONTROL AND PROTECTION, STANDARD BLR 21	LS	1

\* SPECIALTY ITEMS

**EARTHWORK SCHEDULE**

Location	Earth Excavation		Channel Excavation		Embankment	Earthwork Balance	
	Adjusted	Adjusted	Usable	Adjusted		Waste (+)	Shortage (-)
	CY	CY	CY	CY	CY	CY	
STA 8+00 TO 9+75	36	29			112		-83
STA 9+75 TO 10+25			160	80	67	80	17
STA 10+25 TO 12+00	177	142			193		-51
<b>TOTALS</b>	<b>213</b>	<b>171</b>	<b>160</b>	<b>80</b>	<b>67</b>	<b>355</b>	<b>80</b>

Pay Items: Earth Excavation - 213 CU YDS  
Channel Excavation - 160 CU YDS  
Furnished Excavation - 117 CU YDS

	MILANO & GRUNLOH ENGINEERS, LLC	TYPICAL SECTION, GENERAL NOTES AND SUMMARY OF QUANTITIES BRIDGE PROGRAM EFFINGHAM COUNTY, ILLINOIS
	14 WEST WASHINGTON	
	P.O. BOX 897	
	EFFINGHAM, ILLINOIS 62401	
	Phone: (217) 347-7262	
(800) 577-2714	Fax #: (217) 342-3433	
Web Address: www.mgengineers.com	Design Firm #:	
File name: S:\DWG\03\03234\ewg\Typical.dwg	Plot date: 11/01/07 at 07:40	