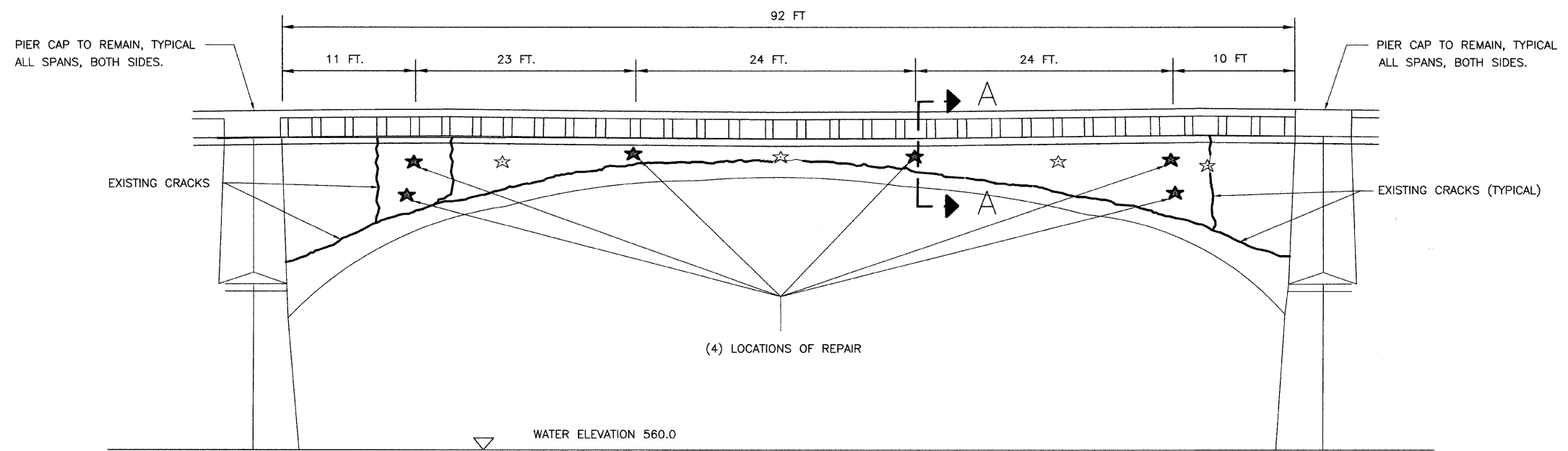
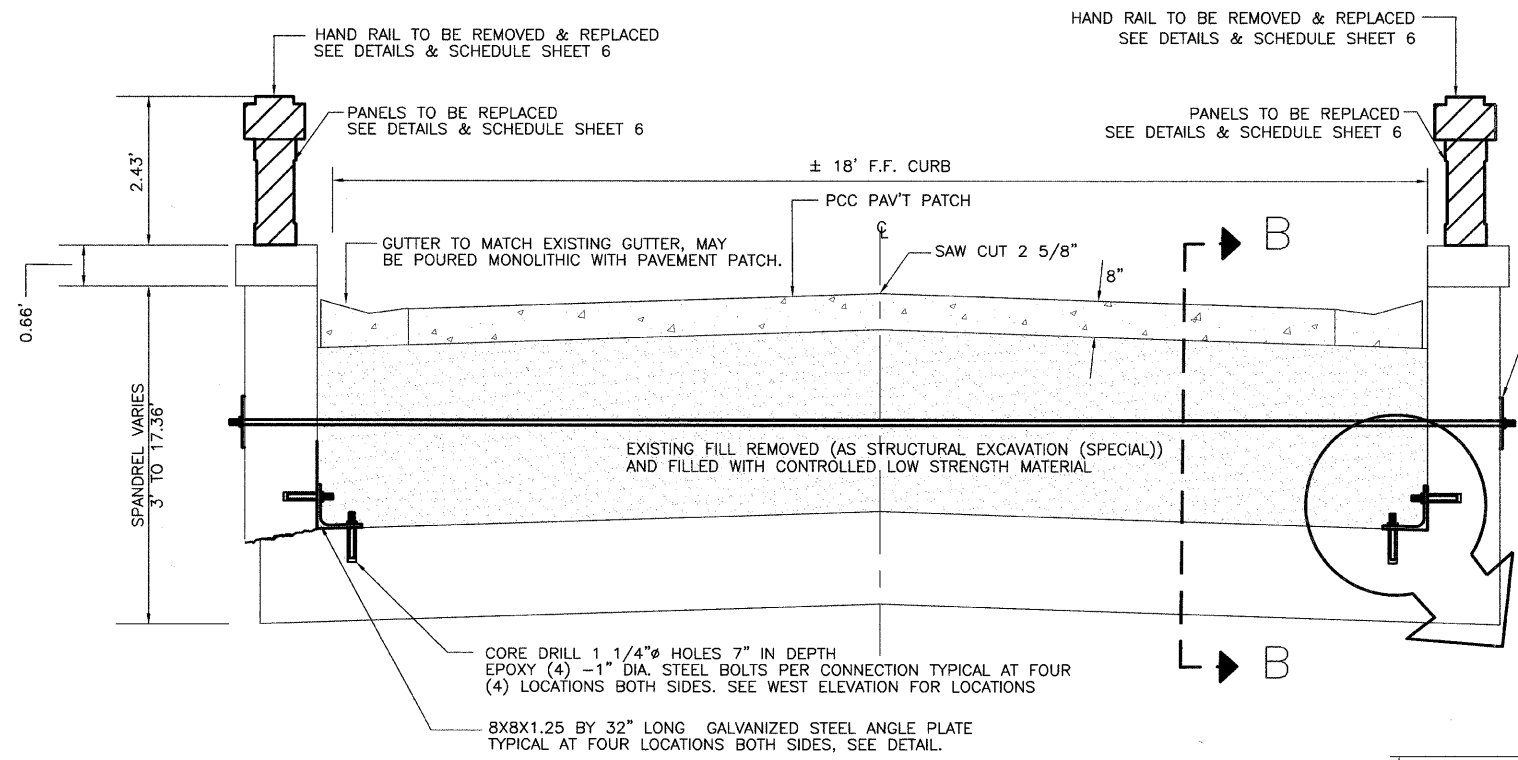


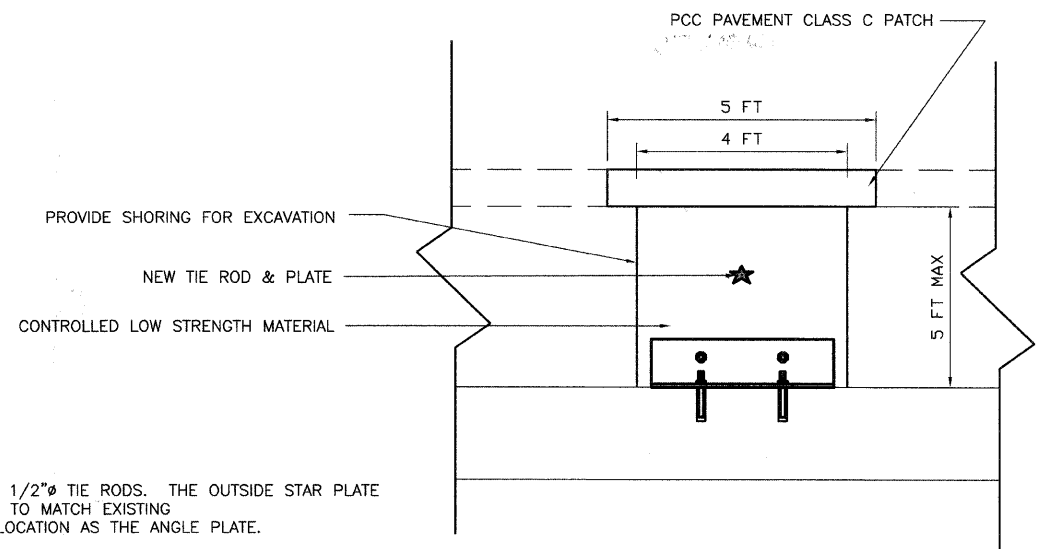
SECTION	COUNTY	TOTAL SHEETS	SHEET NO.
95-02130-00-HP	COLES	6	5



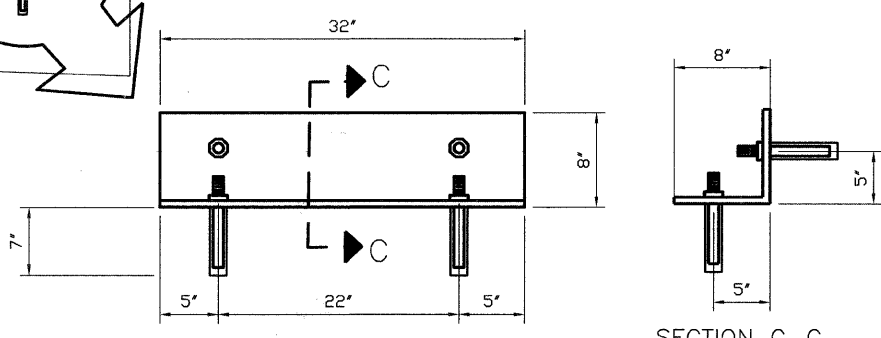
WEST ELEVATION SPAN 2



SECTION A-A TYPICAL REPAIR SECTION



SECTION B-B TYPICAL REPAIR SECTION



GALVANIZED ANGLE BRACKET DETAIL

TYPICAL REPAIR SECTIONS		The Upchurch Group <small>architects engineers surveyors</small>
Blakeman Bridge Section 95-02130-00-HP IHPA Log No. 018072707 TR 193 Over The Embarras River Coles County		
Drawn <u>AL BAKER</u> Checked <u>MJS</u> Date <u>JULY 2008</u> Rev. _____	Project No. <u>16102048</u> Professional Design Firm Corporation License No. 184-003401	4413 W. Roosevelt Rd. Suite 105 Hillside, IL 60162 Phone: 708.449.2321 upchurchgroup@upchurchgroup.com 133 North 19th Street Mankato, IL 61052 Phone: 217.235.3177 upchurchgroup@upchurchgroup.com

RMANSET4
 REVISED 5-6-07