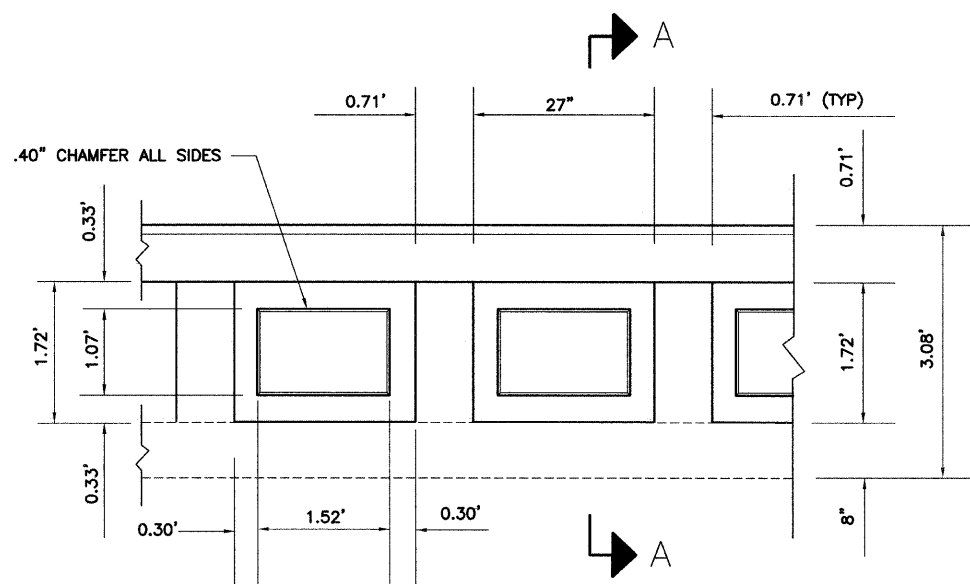
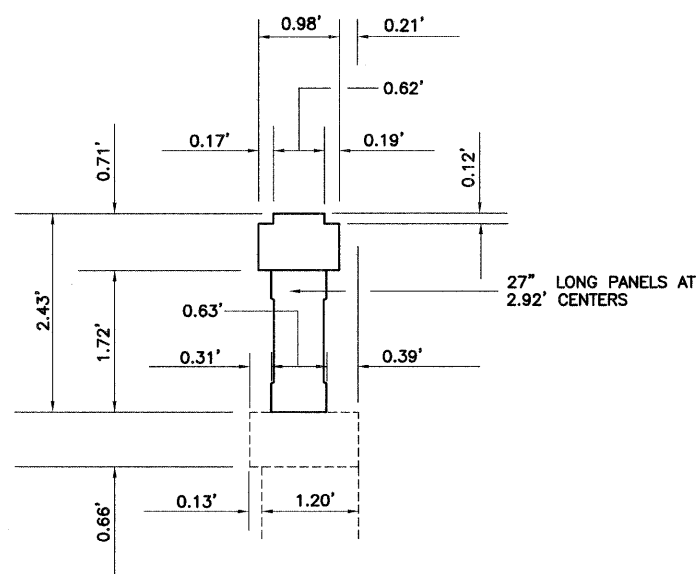


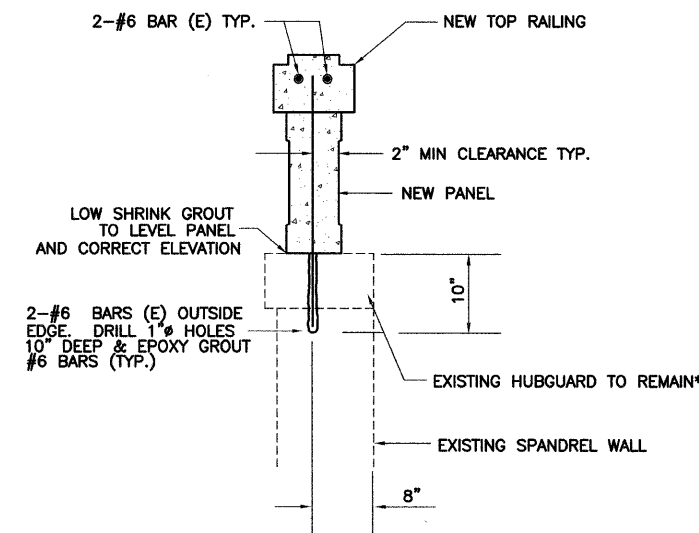
SECTION	COUNTY	TOTAL SHEETS	SHEET NO.
95-02130-00-HP	COLES	6	6



HANDRAIL SIDE ELEVATION



SECTION A-A



* REMOVE AND REPLACE DAMAGED HUBGUARD SECTIONS AS DIRECTED BY THE ENGINEER

SECTION A-A

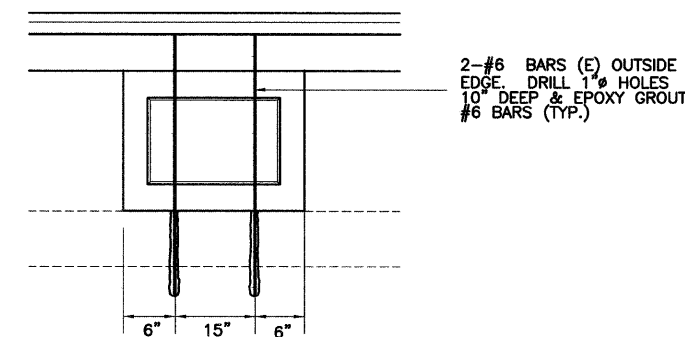
BILL OF MATERIAL EAST HANDRAIL

TOP RAILING AND PANEL REPLACEMENT				
STA.	PANEL (.087 CUYD EACH)	TOP RAILING (.026 CUYD/FT.)	CONCRETE REMOVAL HUBGUARD (CUYD)	CONCRETE CLASS SI HUBGUARD (CUYD)
10+00.0 TO 10+78.8	27	78.8		
10+84.5 TO 11+75.5	31	91.0		
11+80.5 TO 12+58.3	27	77.8		
VARIOUS			0.75	0.75
TOTAL	85 (7.4 CUYD)*	247.6 FT. (6.4 CUYD)*	0.75 CUYD*	0.75 CUYD

BILL OF MATERIAL WEST HANDRAIL

TOP RAILING AND PANEL REPLACEMENT				
STA.	PANEL (.087 CUYD EACH)	TOP RAILING (.026 CUYD/FT.)	CONCRETE REMOVAL HUBGUARD (CUYD)	CONCRETE CLASS SI HUBGUARD (CUYD)
10+00.0 TO 10+78.4	26	78.4		
10+83.5 TO 11+75.3	31	91.8		
11+80.4 TO 12+61.6	28	81.2		
VARIOUS			0.75	0.75
TOTAL	85 (7.4 CUYD)*	251.4 FT. (6.5 CUYD)*	0.75 CUYD*	0.75 CUYD

*PAID FOR AS CONCRETE REMOVAL (SPECIAL)



PANEL ELEVATION

REVISED 5-6-07

HANDRAIL REPLACEMENT		The Upchurch Group <small>architects engineers surveyors</small>
Blakeman Bridge Section 95-02130-00-HP IHPA Log No. 018072707 TR 193 Over The Embarras River Coles County		
Drawn <u>AL BAKER</u>	Project No. <u>16102048</u>	<small>4413 W. Roosevelt Rd. Suite 108 Hillsdale, IL 60162 Phone: 708-449-2521 upchurchgroup@upchurchgroup.com</small>
Checked <u>MJS</u>	Professional Design Firm Corporation License No. 184-003401	
Date <u>JULY 2008</u>		
Rev. _____		<small>123 North 5th Street Moline, IL 61704 Phone: 217-235-3177 upchurchgroup@upchurchgroup.com</small>