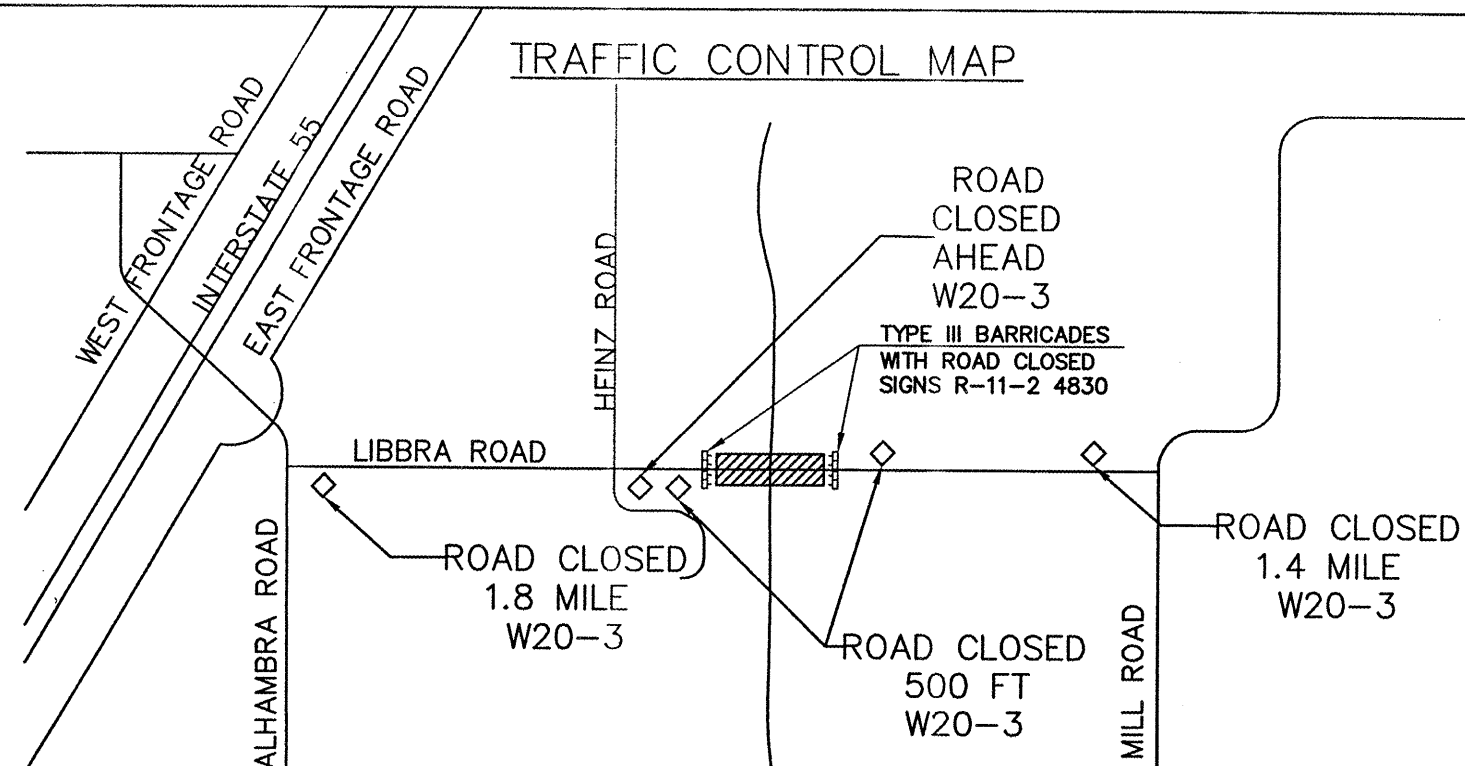


| RTE. NO. | SECTION | COUNTY | TOTAL SHEETS | SHEET NO. |
|----------|----------------|---------|--------------|-----------|
| TR 67 | 06-18111-00-BR | MADISON | 20 | 3 |

CONTRACT NO. 97356

TRAFFIC CONTROL MAP

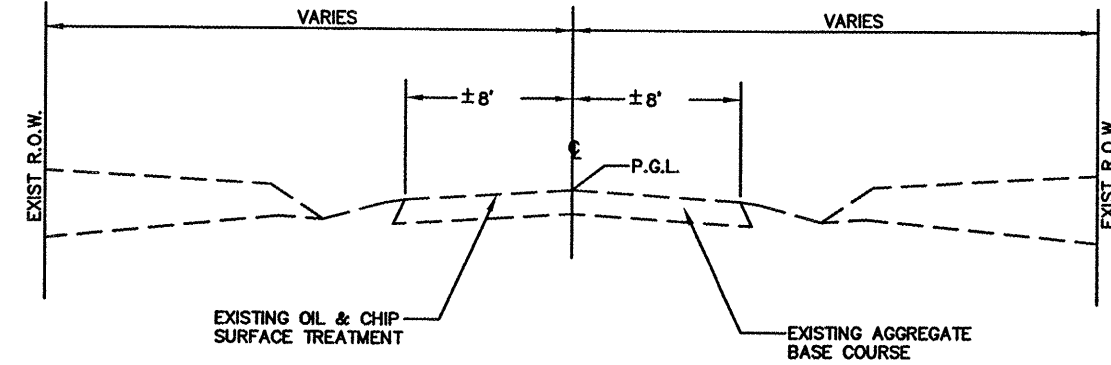


NOTES:

1. THE CONTRACTOR SHALL NOTIFY THE RESIDENT ENGINEER 72 HOURS PRIOR TO CLOSURE.
2. ALL TRAFFIC CONTROL DEVICES SHALL BE REFLECTIVE AND INCLUDE LOW INTENSITY FLASHING LIGHTS.
3. LOCATION OF TRAFFIC CONTROL DEVICES SHALL BE APPROVED BY THE ENGINEER PRIOR TO PLACEMENT.
4. THE CONTRACTOR SHALL MAINTAIN TEMPORARY ACCESS TO DRIVEWAYS AFFECTED BY CONSTRUCTION.
5. FOR STABILIZATION, ALL TYPE III BARRICADES SHALL REQUIRE A MINIMUM OF FOUR SAND BAGS PER BARRICADE.
6. TRAFFIC CONTROL SHALL CONFORM TO IDOT HIGHWAY STANDARDS: 701901, B.L.R. 21-7

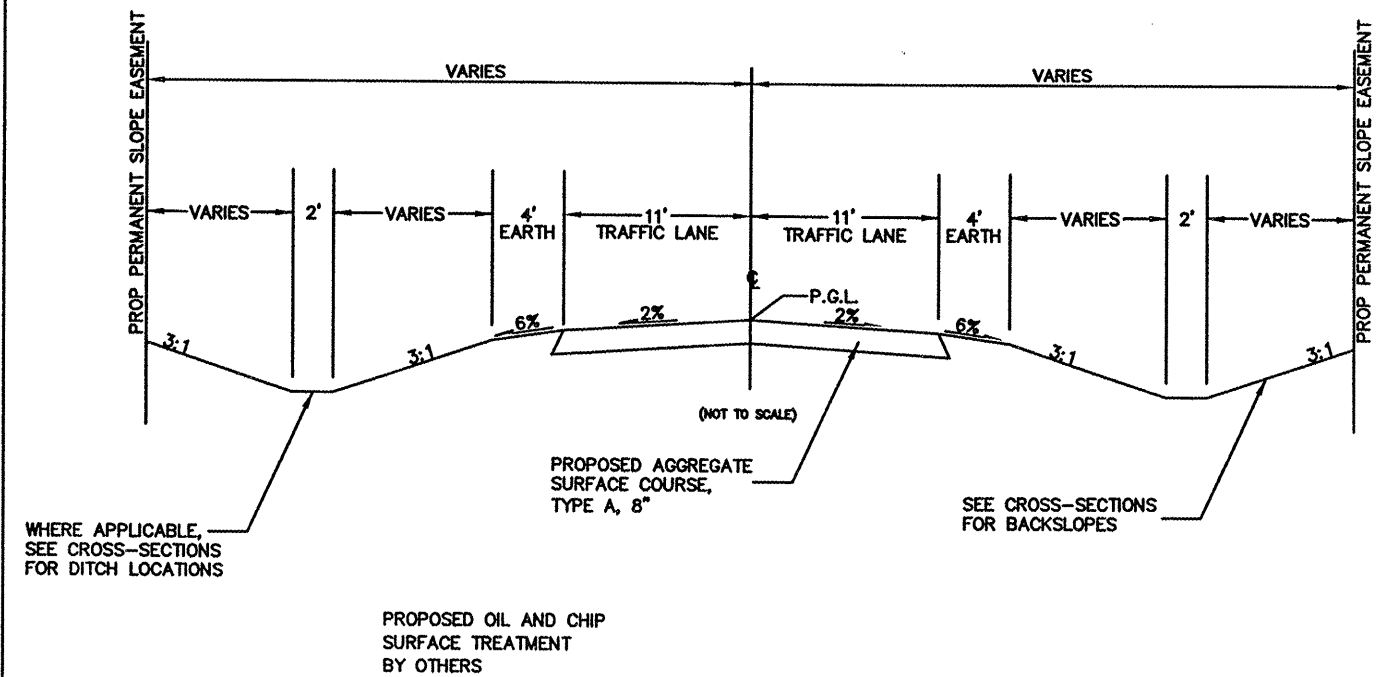
EXISTING SECTIONS

EXISTING TYPICAL SECTION
LIBBRA ROAD
STA. 22+50 TO STA. 31+00
(NOT TO SCALE)

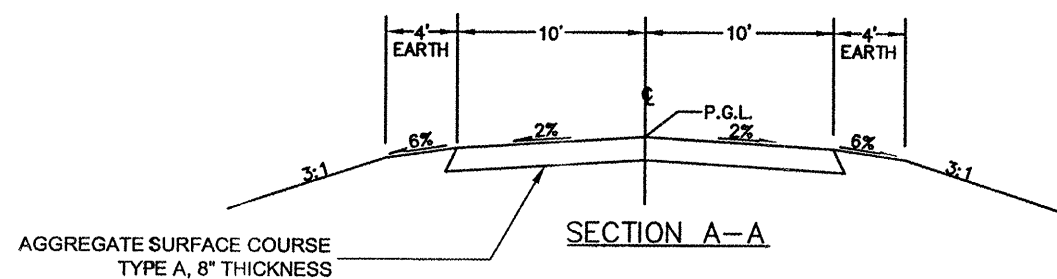
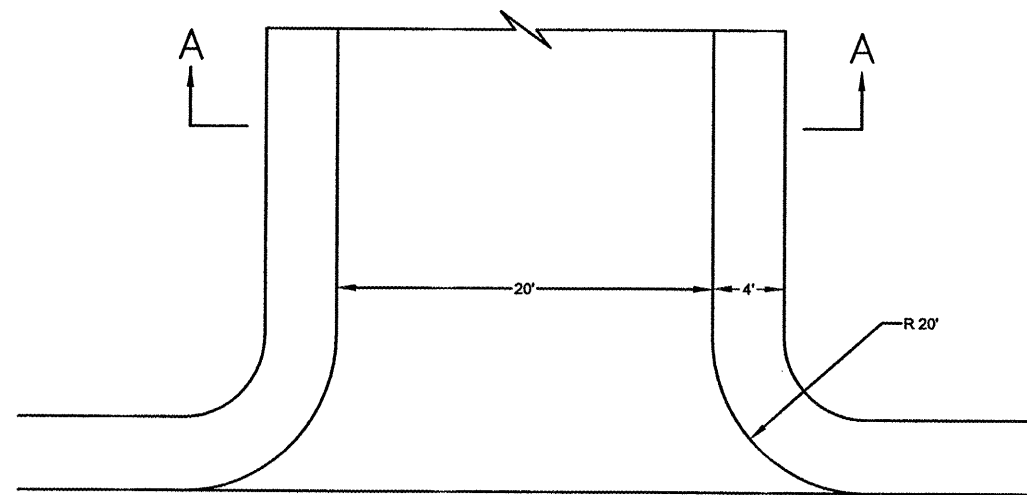


PROPOSED TYPICAL SECTION LIBBRA ROAD

STA. 23+50 TO STA. 30+00
BACK TO BACK ABUTMENTS
STA. 25+35.25 TO STA. 27+16.75



ENTRANCE DETAILS



TYPICAL SECTIONS & TRAFFIC CONTROL