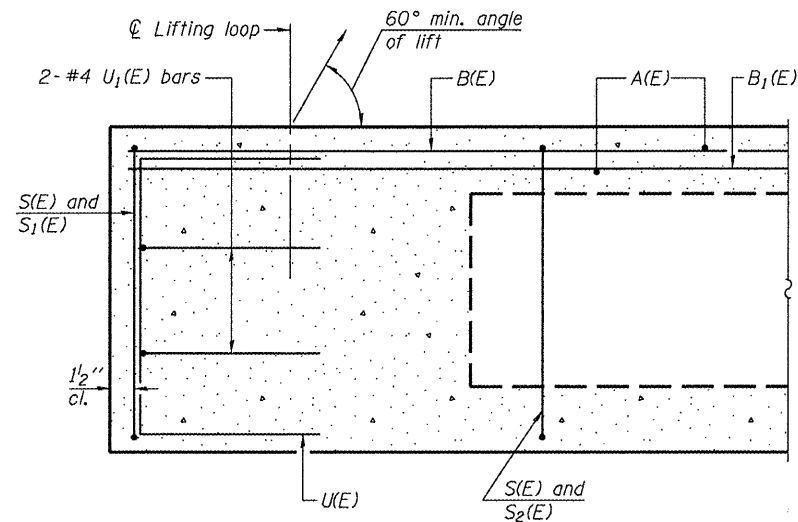
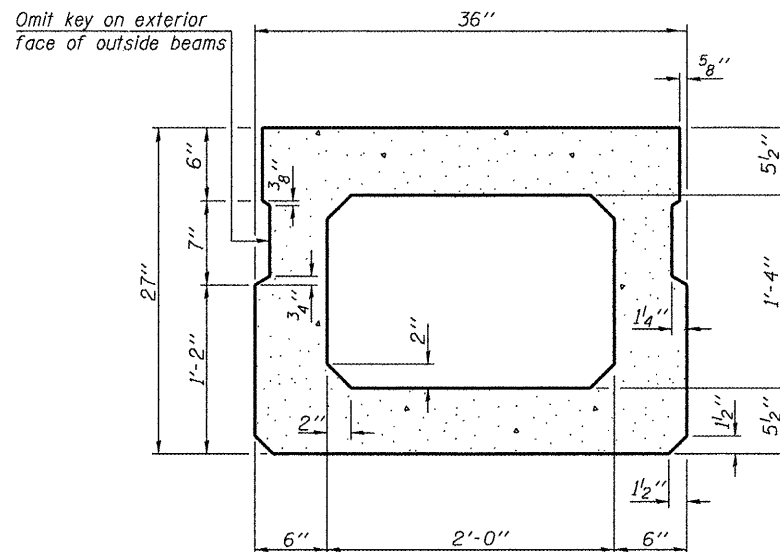


L:\Jobs\DOT BBS\6956 BBS\6956\05\CADD\_Struct\Madison 06-1811-00-BR.dgn

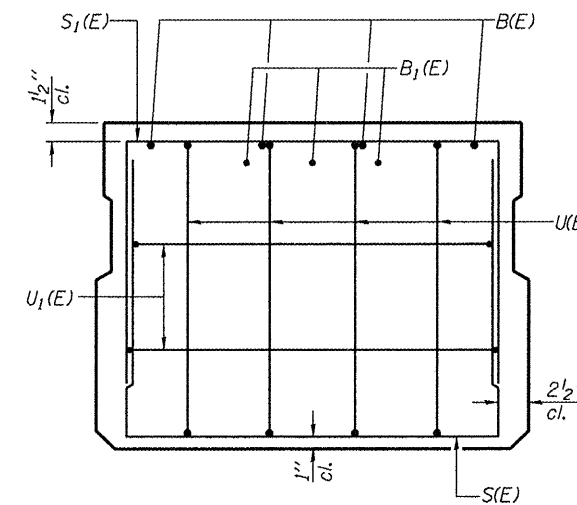


SECTION C-C

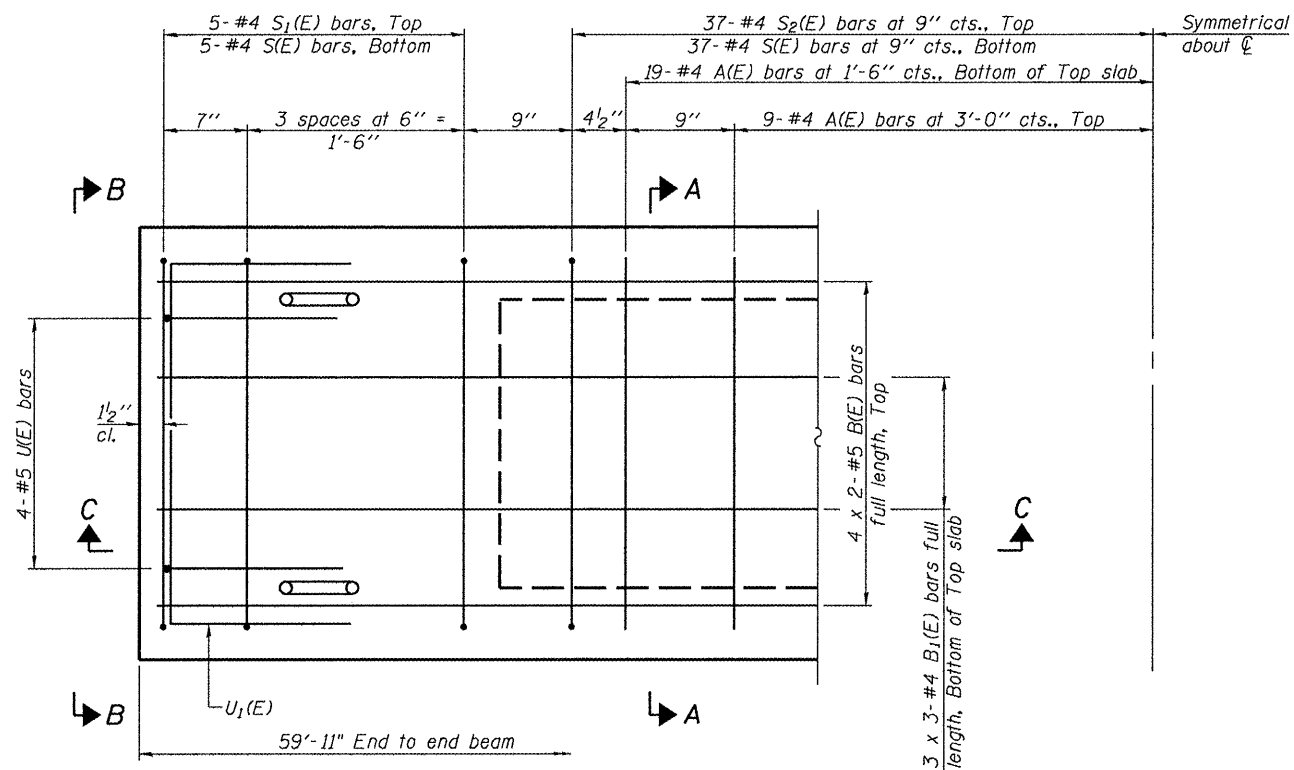
MIN. BAP LAP  
 #4 bar = 1'-8"  
 #5 bar = 2'-2"



SECTION A-A  
 (Showing dimensions)

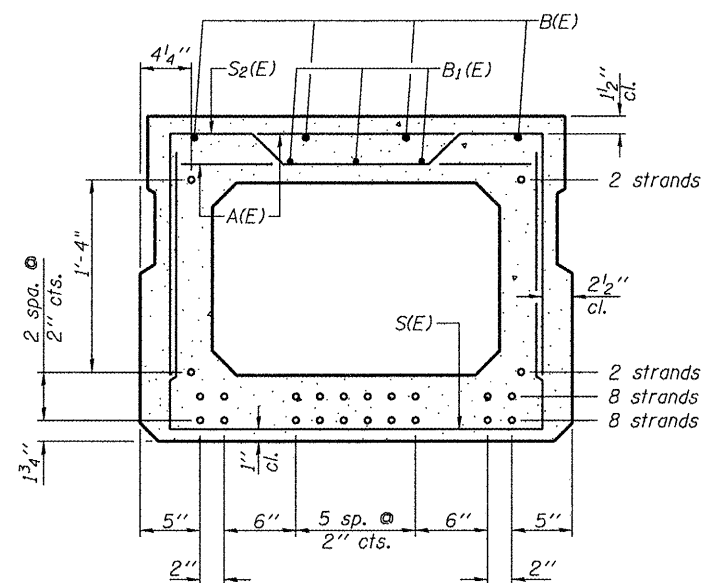


VIEW B-B



PLAN VIEW

Note: Spacing of S(E) and S2(E) bars may be adjusted up to 4" in the immediate area of the transverse tie diaphragms to miss the block outs for the transverse ties.



SECTION A-A

(Showing reinforcement and permissible strand locations)  
 Note: Place the number of strands specified in each row symmetrically about the centerline of beam in the permissible strand locations shown.

BAR LIST  
 ONE BEAM ONLY  
 (For information only)

Bar	No.	Size	Length	Shape
A(E)	56	#4	2'-7"	—
B(E)	8	#5	30'-11"	—
B1(E)	9	#4	21'-0"	—
S(E)	84	#4	6'-5"	┌
S1(E)	10	#4	5'-11"	┌
S2(E)	74	#4	6'-2"	┌
U(E)	8	#5	4'-6"	┌
U1(E)	4	#4	5'-0"	┌

USER NAME = dheberling	DESIGNED - SDS	REVISED
PLOT SCALE = 0:2.0000 1/4" / IN.	DRAWN - DLH	REVISED
PLOT DATE = 7/17/2008	CHECKED -	REVISED
	DATE -	REVISED

**WHKS & CO.**  
 ENGINEERING

7018 KINGSMILL CT.  
 SPRINGFIELD, IL  
 (217) 483-9457  
 DESIGN FIRM #184001036

STATE OF ILLINOIS  
 DEPARTMENT OF TRANSPORTATION

SUPERSTRUCTURE DETAILS	
27" x 36" PPC DECK BEAMS	
SCALE:	SHEET NO. 9 OF 20 SHEETS

T.R. RTE.	SECTION	COUNTY	TOTAL SHEETS	SHEET NO.
67	06-18111-00-BR	MADISON	20	9
S.N. -	CONTRACT		97356	
FED. ROAD DIST. NO. ILLINOIS FED. AID PROJECT				