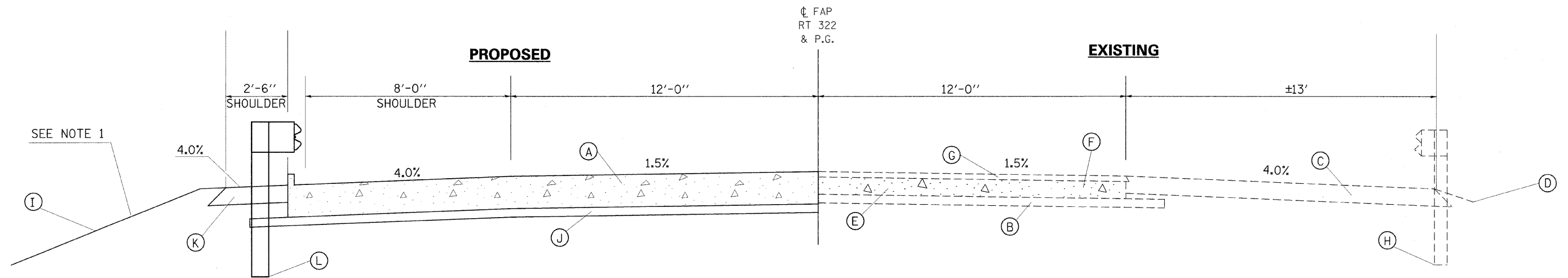


TYPICAL SECTION



TYPICAL SECTION WITHIN PAVEMENT REMOVAL

STA. 800+84 TO STA. 802+36

MIXTURE REQUIREMENTS

- (A) PROPOSED APPROACH OR CONNECTOR PAVEMENT
- (B) EXISTING SUBBASE GRANULAR MATERIAL, 4"
- (C) EXISTING HOT-MIX ASPHALT SHOULDER (8" TYP)
- (D) EXISTING GROUND LINE
- (E) PROPOSED PAVEMENT REMOVAL SOYD
- (F) EXISTING PCC PAVEMENT, 8"
- (G) EXISTING HOT-MIX ASPHALT SURFACE, 2 1/2"
- (H) EXISTING GUARDRAIL
- (I) PROPOSED GROUND LINE
- (J) PROPOSED SUBBASE GRANULAR MATERIAL, 4" TON
- (K) PROPOSED HOT-MIX ASPHALT SHOULDER, 10" SOYD
- (L) PROPOSED GUARDRAIL

NOTE 1: PROPOSED SLOPE 2.5:1 OR GREATER OR MATCH EXISTING.

Location(s):	Hot-Mix Asphalt Surface Course
Mixture Use(s):	Hot-Mix Asphalt Surface Course, Mix C, N90
AC/PG:	PG64-22
RAP % (Max):	10
Design Air Voids:	4.0 %, 90 Gyration Design
Mixture Composition: (Gradation Mixture)	IL-9.5 mm or IL12.5 mm
Friction Aggregate:	C Surface

Location(s):	Hot-Mix Asphalt Shoulders
Mixture Use(s):	Hot-Mix Asphalt Shoulders
AC/PG:	PG58-22
RAP % (Max):	50
Design Air Voids:	2.0 %, 30 Gyration Design
Mixture Composition: (Gradation Mixture)	HMA Shoulders
Friction Aggregate:	None

FILE NAME = c:\projects\1222984\1222984.dgn	USER NAME = shepardgd	DESIGNED - ---	REVISED - ---	STATE OF ILLINOIS DEPARTMENT OF TRANSPORTATION	TYPICAL SECTION	F.A.P. RTE. FAP 322	SECTION 12-1, BR	COUNTY UNION	TOTAL SHEETS 48	SHEET NO. 8
PLOT SCALE = 50,0000' / IN.		CHECKED - ---	REVISED - ---	SCALE: _____ SHEET NO. 8 OF 48 SHEETS STA. _____ TO STA. _____		FED. ROAD DIST. NO. _____ ILLINOIS FED. AID PROJECT		CONTRACT NO. 98886		
PLOT DATE = 6/18/2008		DATE - ---	REVISED - ---							