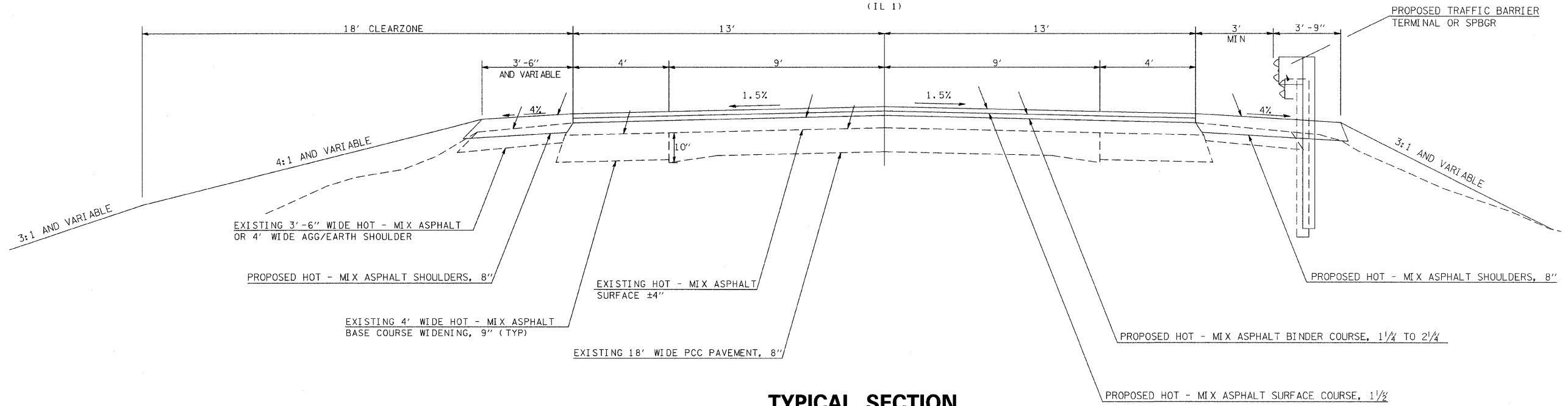


| F.A.P. RTE. | SECTION | COUNTY | TOTAL SHEETS | SHEET NO. |
|---------------------|----------|------------------|--------------|-----------|
| 782 | 114B-2 | GALLATIN | 62 | 8 |
| STA. | TO STA. | | | |
| FED. ROAD DIST. NO. | ILLINOIS | FED. AID PROJECT | | |

FAP 782
(IL 1)



TYPICAL SECTION

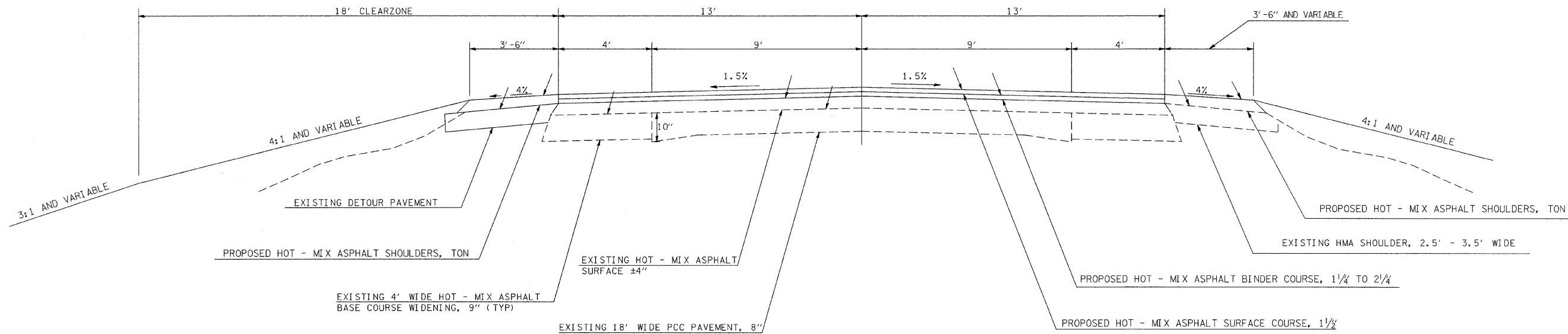
LEFT STA 800+75 TO STA 801+56
RIGHT STA 799+45 TO STA 801+56

SECTION OUTSIDE
GUARDRAIL LIMITS

SECTION WITHIN
GUARDRAIL LIMITS

*SEE SHEET 13 FOR PAVEMENT CROSS SLOPES

FAP 782
(IL 1)



TYPICAL SECTION

LEFT SIDE SHOWING THE CAPPING OF
DETOUR PAVEMENT WITH HMA SHOULDER

LEFT STA 799+03 TO STA 800+75
LEFT STA 806+50 TO STA 808+18

RIGHT SIDE SHOWING THE CAPPING OF
EXISTING HMA SHOULDER WITH HMA SHOULDER

LEFT STA 801+56 TO STA 802+58
LEFT STA 804+62 TO STA 806+50
RIGHT STA 801+56 TO STA 802+58
RIGHT STA 804+62 TO STA 807+75

STRUCTURAL DESIGN TRAFFIC: 2028
PV = 2225 SU = 315 MU = 410
ROAD/STREET CLASSIFICATION: Class II ROAD
PERCENT OF STRUCTURAL DESIGN TRAFFIC IN DESIGN LANE:
P = 75% S = 11% M = 14%
TRAFFIC FACTOR: Actual TF = 0.52515
Minimum TF = 0.42975

PLOT DATE = 6/20/2008
FILE NAME = c:\p\projects\9823024\Final\9823024.dwg
PLOT SCALE = 50.0000 / 1" = 100'-0"
USER NAME = aneapdgd