

STATE OF ILLINOIS
DEPARTMENT OF TRANSPORTATION

ROUTE NO.	SECTION	COUNTY	TOTAL SHEETS	SHEET NO.	SHEET NO. 15 18 SHEETS
FAP 782	114B-2	GALLATIN	62	33	
FED. ROAD DIST. NO. 7	ILLINOIS	FED. AID PROJECT			

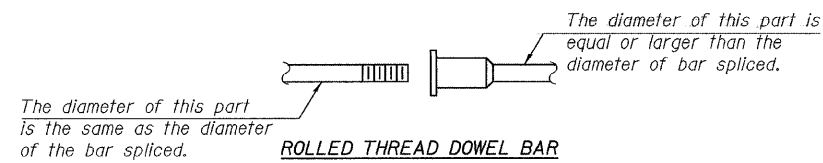
Contract No. 98887

NOTES

Bar splicer assemblies shall be of an approved type and shall develop in tension at least 125 percent of the yield strength of the lapped reinforcement bars.
Splicer rods shall be of minimum 60 ksi yield strength, threaded or coiled full length.
All reinforcement bars shall be lapped and tied to the splicer rods or dowel bars.
Bar splicer assemblies shall be epoxy coated according to the requirements for reinforcement bars.
Other systems of similar design may be submitted to the Engineer for approval. Approval shall be based on certified test results from an approved testing laboratory that the proposed bar splicer assembly satisfies the following requirements:

- ① Minimum Capacity = $1.25 \times f_y \times A_t$
(Tension in kips)
 - ② Minimum *Pull-out Strength = $0.66 \times f_y \times A_t$
(Tension in kips)
- Where f_y = Yield strength of lapped reinforcement bars in ksi.
 A_t = Tensile stress area of lapped reinforcement bars.
* = 28 day concrete

BAR SPLICER ASSEMBLIES			
Bar Size to be Spliced	Splicer Rod or Dowel Bar Length	Strength Requirements	
		Min. Capacity kips - tension	Min. Pull-Out Strength kips - tension
#4	1'-8"	14.7	7.9
#5	2'-0"	23.0	12.3
#6	2'-7"	33.1	17.4
#7	3'-5"	45.1	23.8
#8	4'-6"	58.9	31.3
#9	5'-9"	75.0	39.6
#10	7'-3"	95.0	50.3
#11	9'-0"	117.4	61.8

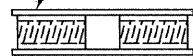


ROLLED THREAD DOWEL BAR



** ONE PIECE

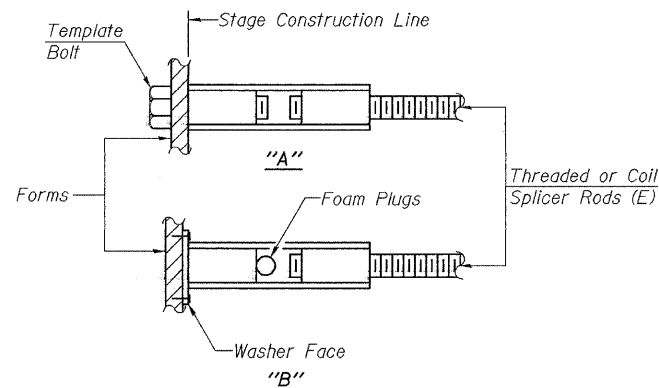
Wire Connector



WELDED SECTIONS

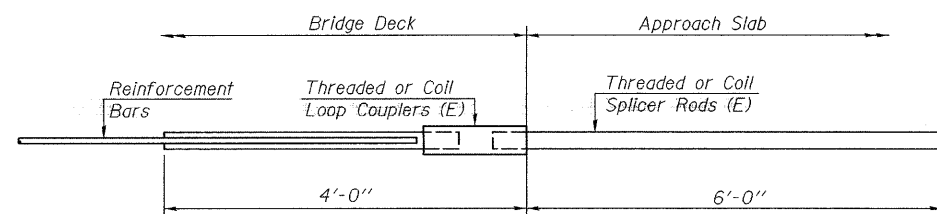
BAR SPLICER ASSEMBLY ALTERNATIVES

**Heavy Hex Nuts conforming to ASTM A 563, Grade C, D or DH may be used.

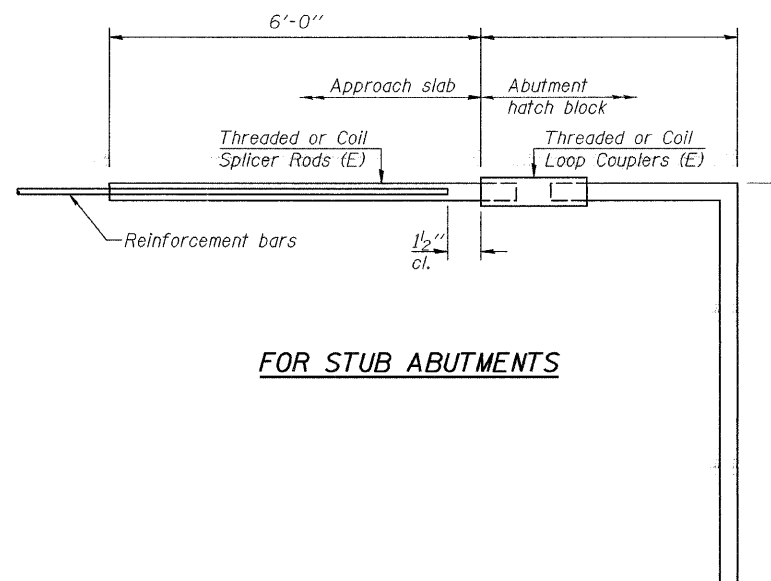


INSTALLATION AND SETTING METHODS

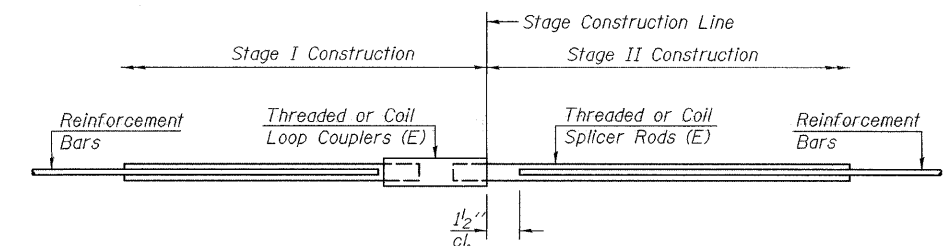
"A" :Set bar splicer assembly by means of a template bolt.
"B" :Set bar splicer assembly by nailing to wood forms or cementing to steel forms.
(E) : Indicates epoxy coating.



FOR INTEGRAL OR SEMI-INTEGRAL ABUTMENTS



FOR STUB ABUTMENTS



STANDARD

Bar Splicer for #5 bar
Min. Capacity = 23.0 kips - tension
Min. Pull-out Strength = 12.3 kips - tension
No. Required = 64

Bar Splicer for #5 bar
Min. Capacity = 23.0 kips - tension
Min. Pull-out Strength = 12.3 kips - tension
No. Required =

Bar Size	No. Assemblies Required	Location

DESIGNED	C.C. Chau
CHECKED	D.H. Coultas
DRAWN	h.f. duong
CHECKED	CCC/DHC

July 21, 2008
EXAMINED *Thomas J. Demagala*
PASSED *Ralph E. Anderson*
ENGINEER OF BRIDGES AND STRUCTURES

BSD-1 5-16-08

BAR SPLICER ASSEMBLY DETAILS
F.A.P. RTE. 782 - SECTION 114B-2
GALLATIN COUNTY
STATION 803+60.00
STRUCTURE NO. 030-0024