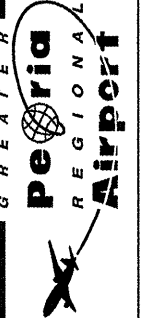



REVISIONS		
NUMBER	BY	DATE

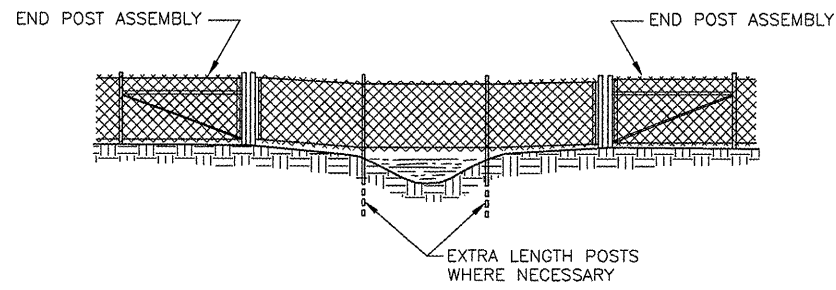
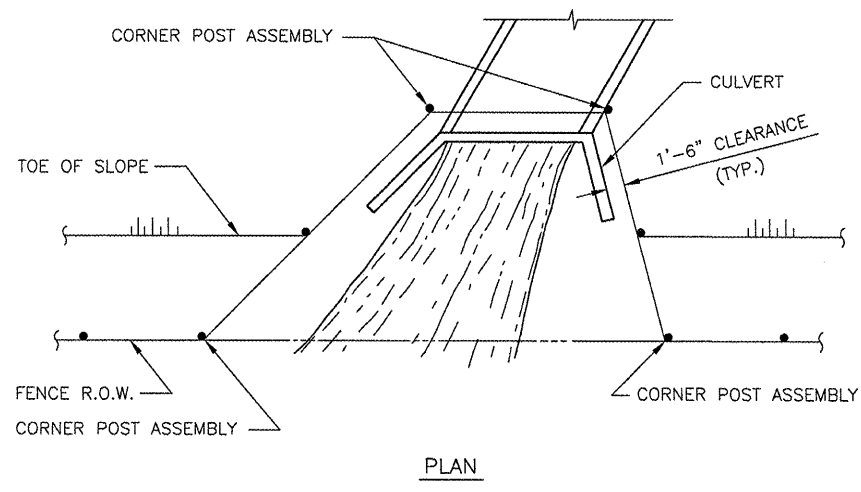
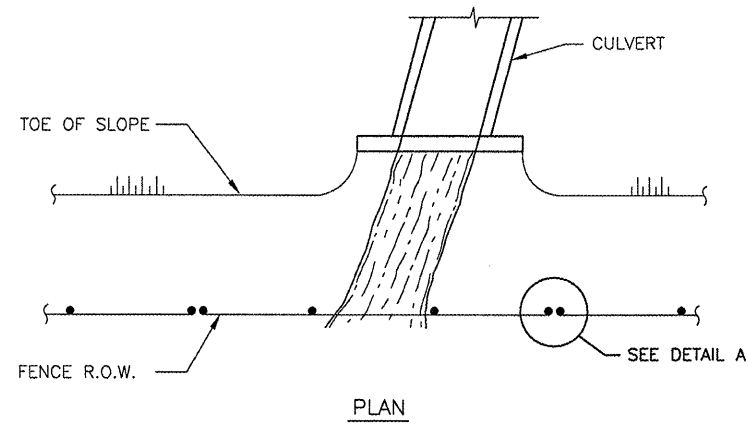
0 1 2
THIS BAR IS EQUAL TO 2"
AT FULL SCALE (34X22).
PLOT 1


CONSTRUCT NEW PERIMETER ROAD AND PERIMETER FENCE - PROJECT 2

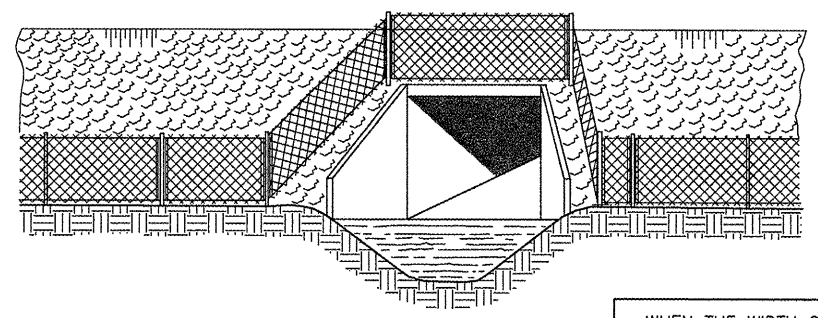

CMT
 CRAWFORD, MURPHY & TILLY, INC.
 CONSULTING ENGINEERS
©Copyright CMT, Inc.

IL PROJECT, PIA-3811
AIP PROJ. 3-17-0080-45
 DESIGN BY: CET
 DRAWN BY: CMT
 CHECKED BY: CET
 APPROVED BY: CET
 DATE: 08-21-2008
 JOB No: 0706104

FENCE DETAILS
SHEET 2 OF 2
 SHEET 17 OF 21 SHEETS

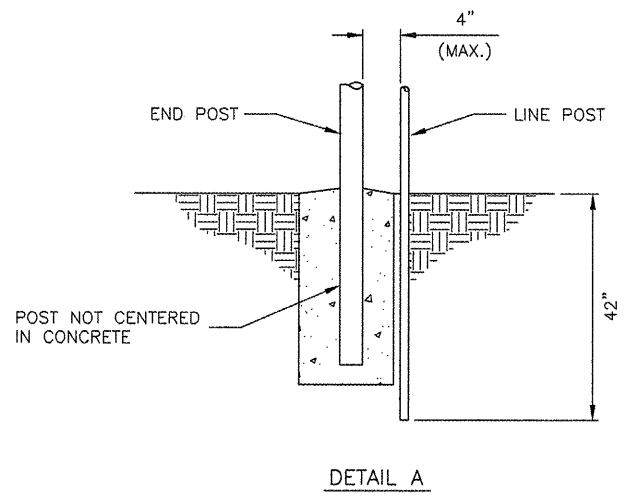


THE CHAIN LINK FABRIC SHALL BE REPLACED BY BARBED WIRE STRANDS AT 12" MAXIMUM CENTERS BETWEEN THE DOUBLE POSTS SHOWN ON DETAIL A WHEN SHOWN ON THE PLANS.

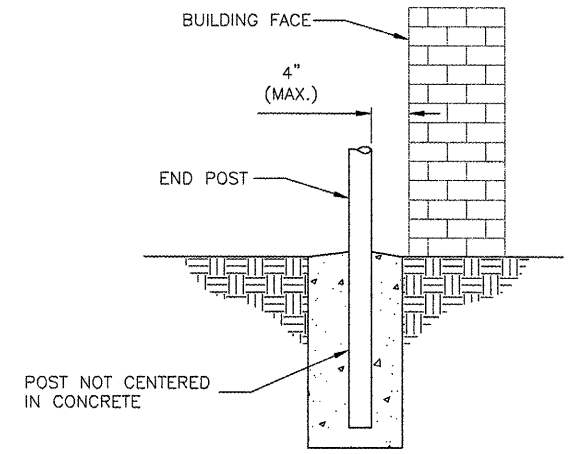


WHEN THE WIDTH OF THE CULVERT MAKES IT NECESSARY TO ANCHOR A POST TO THE TOP OF THE CULVERT, A CAST IRON SHOE OR OTHER DEVICE APPROVED BY THE ENGINEER SHALL BE USED.

FENCE INSTALLATION AROUND HEADWALL DETAILS
N.T.S.



FENCE INSTALLATION OVER STREAM DETAILS
N.T.S.



FENCE INSTALLATION AT BUILDING FACE
N.T.S.