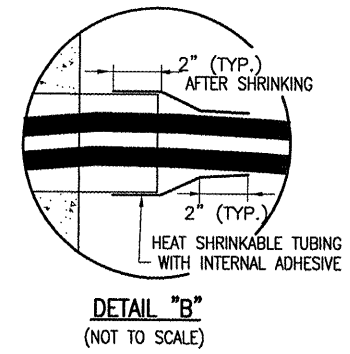
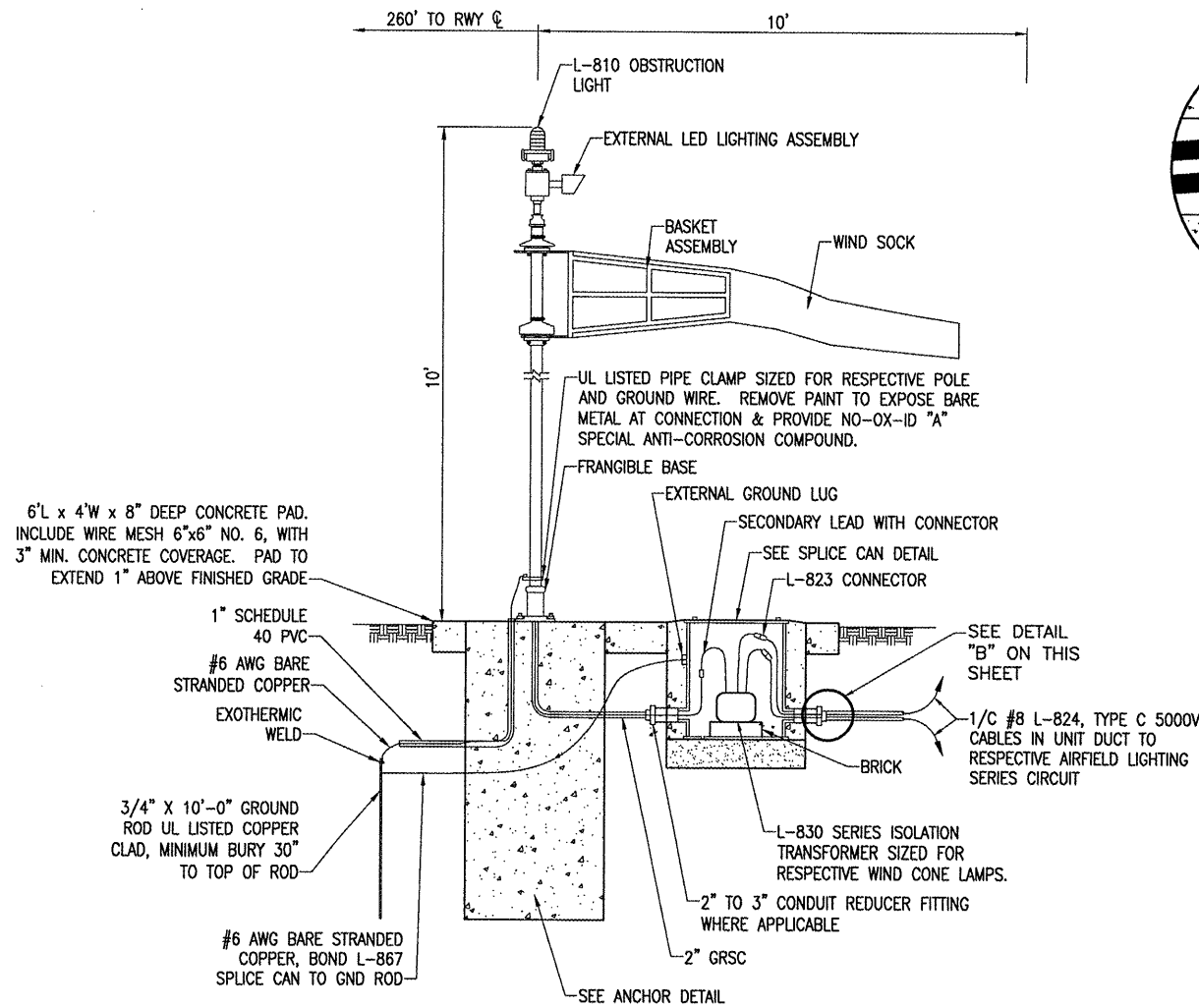


ANCHORING DETAIL
"NOT TO SCALE"



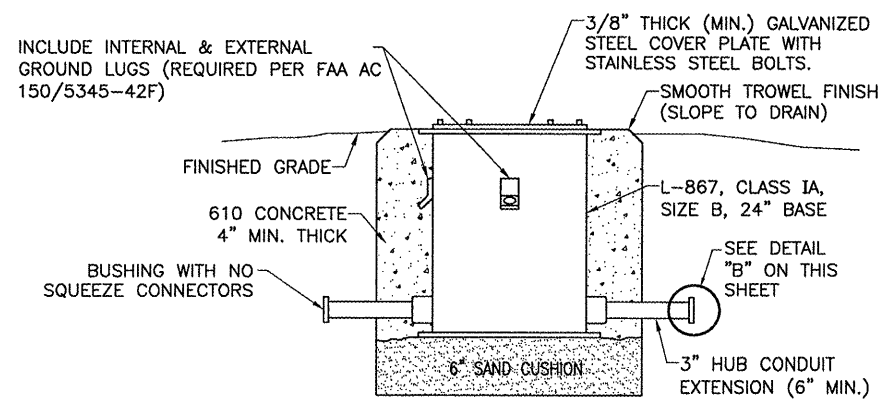
DETAIL "B"
(NOT TO SCALE)

**WORK & DETAILS SHOWN
ON THIS SHEET IS FOR
ADDITIVE ALTERNATE NO. 1**

NOTES

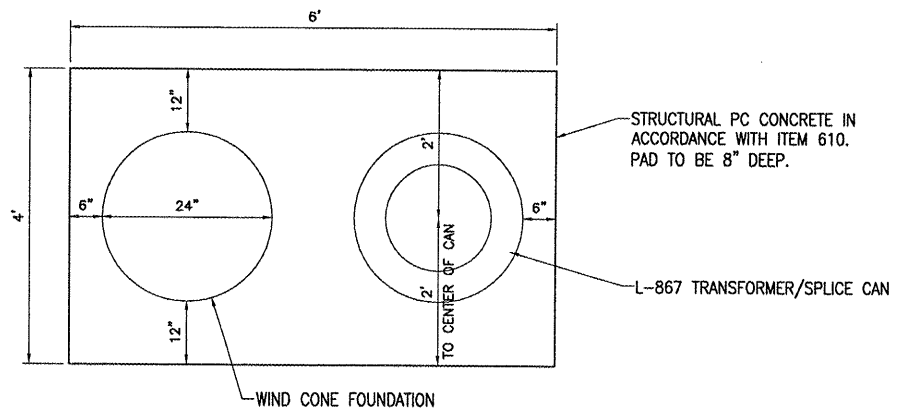
1. WIND CONES SHALL INCLUDE CONSTANT-BRIGHTNESS SERIES CIRCUIT POWER ADAPTER. SEE SPECIAL PROVISION SPECS.
2. WIND CONES WILL BE PAID FOR UNDER ITEM AS107408 L-806 WIND CONE - 8' LIGHTED PER EACH. SPLICE CANS FOR L-806 WIND CONE SERIES CIRCUIT TRANSFORMERS WILL BE INCIDENTAL TO ITEM AS107408.

EXTERNALLY LIGHTED L806 WIND CONE (SERIES CIRCUIT TYPE)
"NOT TO SCALE"



SPLICE CAN DETAIL
(NOT TO SCALE)

INCLUDE INTERNAL AND
EXTERNAL GROUND LUGS



CONCRETE PAD PLAN VIEW
(NOT TO SCALE)

DATE	REVISION	BY

SAINT LOUIS DOWNTOWN AIRPORT
A Division of St. Louis Development Agency
A.I.P. PROJ.: 3-17-0039-B19
I.L. PROJ.: GPS-3708

Hanson Project No. 84507ELEC.D.0900			
Filename: E-507.DWG			
Scale: NOT TO SCALE			
Date: 07/21/08			
LAYOUT	KNL	07/21/08	
DRAWN	BHK	07/21/08	
REVIEWED	CAH	07/22/08	

HANSON
Hanson Professional Services, Inc.
4227 Earth City Expressway, Suite 130
St. Louis, MO 63045-1308
Offices Nationwide

ATCT INTERFACE TO VAULT
L-806 WIND CONE ELEVATION DETAIL

JUL 25, 2008 9:39 AM W00R000805
I:\AIRPORTS\ST. LOUIS DOWNTOWN\84507ELEC\AIRPORT SHEETS\E-507.DWG - Layout1