

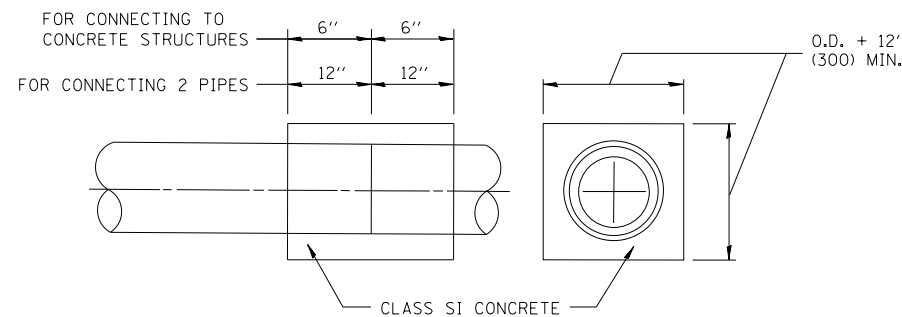
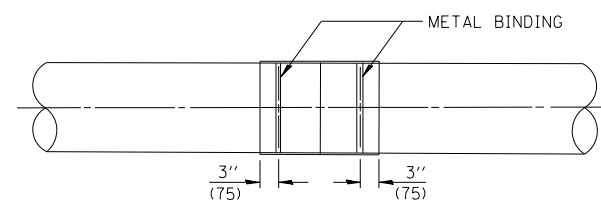
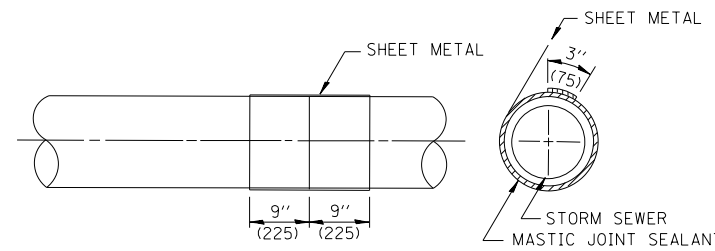
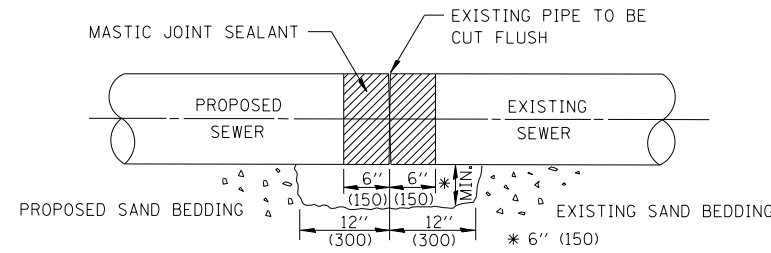
GENERAL NOTES

- CARE MUST BE TAKEN TO PREVENT DEBRIS FROM ENTERING THE SEWER. ALL DEBRIS WHICH ENTERS THE SEWER MUST BE REMOVED. THE SEWER MUST BE LEFT CLEAN AND UNOBSTRUCTED UPON COMPLETION OF THE CONTRACT.
- CARE MUST BE TAKEN TO PREVENT ANY PART OF THE NEW PIPE CONNECTION FROM PROJECTING INTO THE EXISTING SEWER.
- CONCRETE COLLARS SHALL BE CONSTRUCTED OF CLASS SI CONCRETE IN ACCORDANCE WITH SECTION 503 OF THE STANDARD SPECIFICATIONS.
- REINFORCEMENT BARS SHALL CONFORM TO SECTION 508 OF THE STANDARD SPECIFICATIONS. WHEN REQUIRED, REINFORCEMENT BARS WILL BE CONSIDERED INCIDENTAL TO THE CONTRACT UNIT PRICE FOR CONCRETE COLLAR, WHICH PRICE SHALL INCLUDE FURNISHING AND INSTALLING THE REINFORCEMENT BARS COMPLETE IN PLACE.
- ANCHOR BOLTS, WHEN REQUIRED, WILL BE CONSIDERED INCIDENTAL TO THE CONTRACT UNIT PRICE FOR CONCRETE COLLAR, WHICH PRICE SHALL INCLUDE FURNISHING, DRILLING HOLES, AND INSTALLING THE ANCHOR BOLTS COMPLETE IN PLACE. THESE BOLTS SHALL EXTEND AT LEAST 8 INCHES INTO THE NEW CONCRETE.
- WHEN CONCRETE COLLARS ARE USED TO CONNECT PIPES OF DIFFERENT OUTSIDE DIAMETERS, THE CONCRETE COLLAR SHALL BE FORMED USING THE LARGEST OUTSIDE DIAMETER.

CONCRETE COLLAR ≤ 27" PIPE DIAMETER

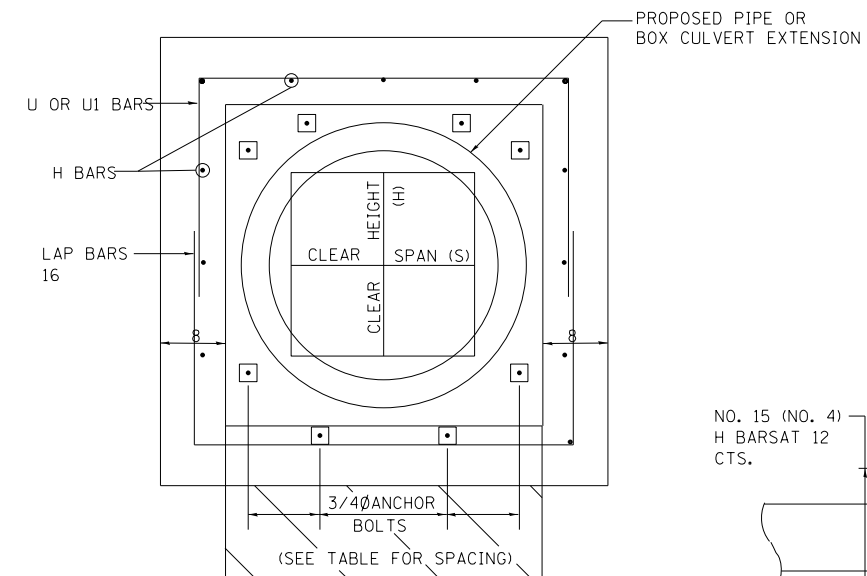
CONSTRUCTION SEQUENCE

- CUT THE EXISTING END OF THE PIPE SO AS TO PRESENT A FLUSH BUTT JOINT. BRUSH AND CLEAN ALL PIPES.
- APPLY THE MASTIC JOINT SEALANT TO THE FIRST 6" (150) OF EACH PIPE.
- BUTT THE PIPES TOGETHER LEAVING A MINIMUM OF 12' x 6' (300 x 150) DEEP EXCAVATION UNDER AND AROUND EACH PIPE END.
- CUT A PIECE OF SHEET METAL GAGE NO. 19 1.1 (0.0418) 18" (450) WIDE BY THE OUTSIDE CIRCUMFERENCE OF THE PIPE PLUS 3" (75) LONG.
- WRAP THE SHEET METAL AROUND THE PIPES, 9" (225) ON EACH SIDE OF THE JOINT, STARTING AT THE TOP OF THE PIPE.
- LAP THE SHEET METAL AT LEAST 3" (75) AT THE TOP OF THE PIPE AND PLACE THE MASTIC JOINT SEALANT BETWEEN THE LAP.
- PLACE TWO METAL BANDS AROUND THE SHEET METAL AND TIGHTEN.
- WIPE OFF ANY EXCESS MASTIC JOINT SEALANT THAT OZZES OUT FROM BETWEEN THE SHEET METAL AND THE PIPES.
- PLACE CLASS SI CONCRETE AROUND THE JOINT.



QUANTITIES FOR CONCRETE PIPES	
INSIDE DIAMETER OF PIPE	ESTIMATED CLASS SI CONCRETE REQUIRED FOR A 24" COLLAR WIDTH CU.YD.
INCH	
10"	0.26
12"	0.30
15"	0.36
18"	0.42
21"	0.48
24"	0.54
27"	0.61

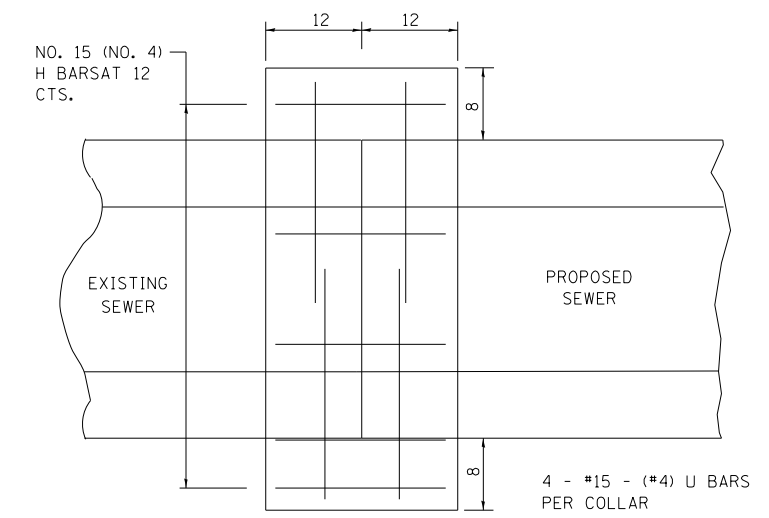
CONCRETE COLLAR > 27" PIPE DIAMETER



FRONT

PLACEMENT DETAILS FOR ANCHOR BOLTS

H OR S	NUMBER OF ANCHOR BOLTS REQUIRED PER SIDE			
	EXTENSIONS < 15'		EXTENSIONS > 15'	
	NUMBER	SPACING	NUMBER	SPACING
30	2	18	2	18
36	2	24	2	24
48	3	18	3	18
60	4	16	3	24
72	5	15	4	20
84	5	18	4	24
96	6	15	5	21
108	6	19	5	24
120	7	18	6	21
132	8	17	6	24
144	8	19	7	22



PIPE CONNECTION