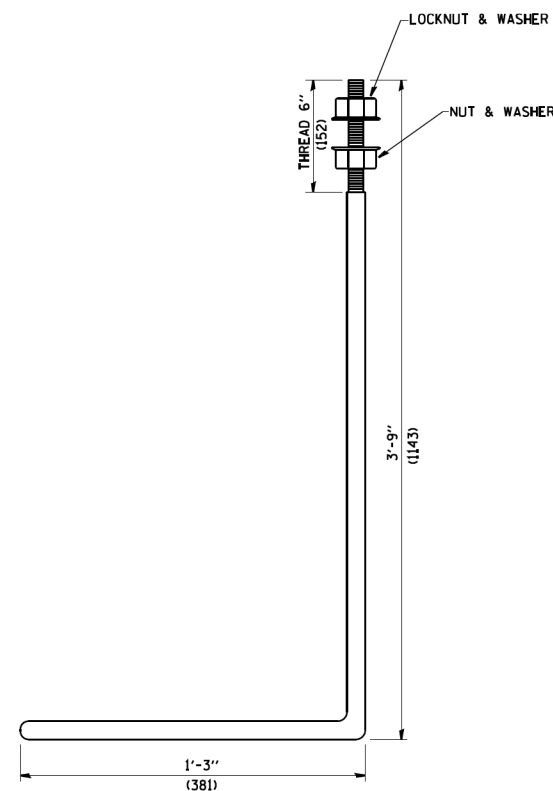
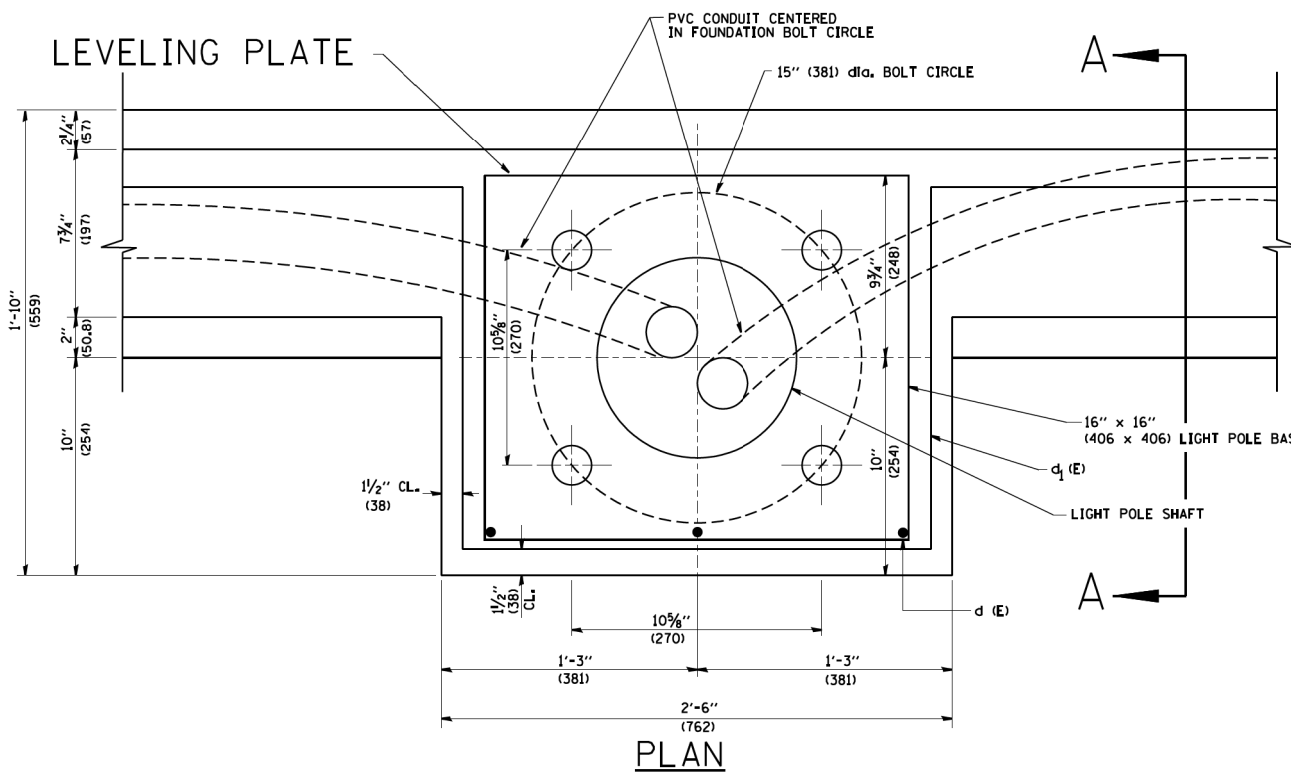


LEVELING PLATE DETAIL



1" (25.4) dia. ANCHOR BOLT



SECTION A-A

PLAN

NOTES

1. ALL DIMENSIONS ARE IN INCHES (MILLIMETERS) UNLESS OTHERWISE SHOWN.
2. LEVEL LIGHT POLE PLATES, USING THE FLANGE NUTS, PRIOR TO POURING THE PARAPET WALL. THE TOP OF THE PLATE SHALL BE AT THE SAME ELEVATION AS THE FINISHED CONCRETE PARAPET.
3. THE COST OF ANCHOR BOLTS, LEVELING PLATE AND FOUNDATION IS INCLUDED IN THE COST OF THE BRIDGE STRUCTURE.

FILE NAME = W:\dststd\22x34\be338.dgn

USER NAME = gegl1enobt
 PLOT SCALE = 50.0000' / IN.
 PLOT DATE = 1/4/2008

DESIGNED -
 DRAWN -
 CHECKED -
 DATE -

REVISED - 04-22-02
 REVISED -
 REVISED -
 REVISED -

**STATE OF ILLINOIS
 DEPARTMENT OF TRANSPORTATION**

**LIGHT POLE MOUNTED ON CONCRETE PARAPET WALL
 15" (381 mm) BOLT CIRCLE**

SCALE: NONE SHEET NO. 1 OF 1 SHEETS STA. TO STA.

F.A.P. RTE.	SECTION	COUNTY	TOTAL SHEETS	SHEET NO.
	2013-038B-R	COOK	821	241
BE-330		CONTRACT NO.	60J16	
FED. ROAD DIST. NO. 1 ILLINOIS FED. AID PROJECT				