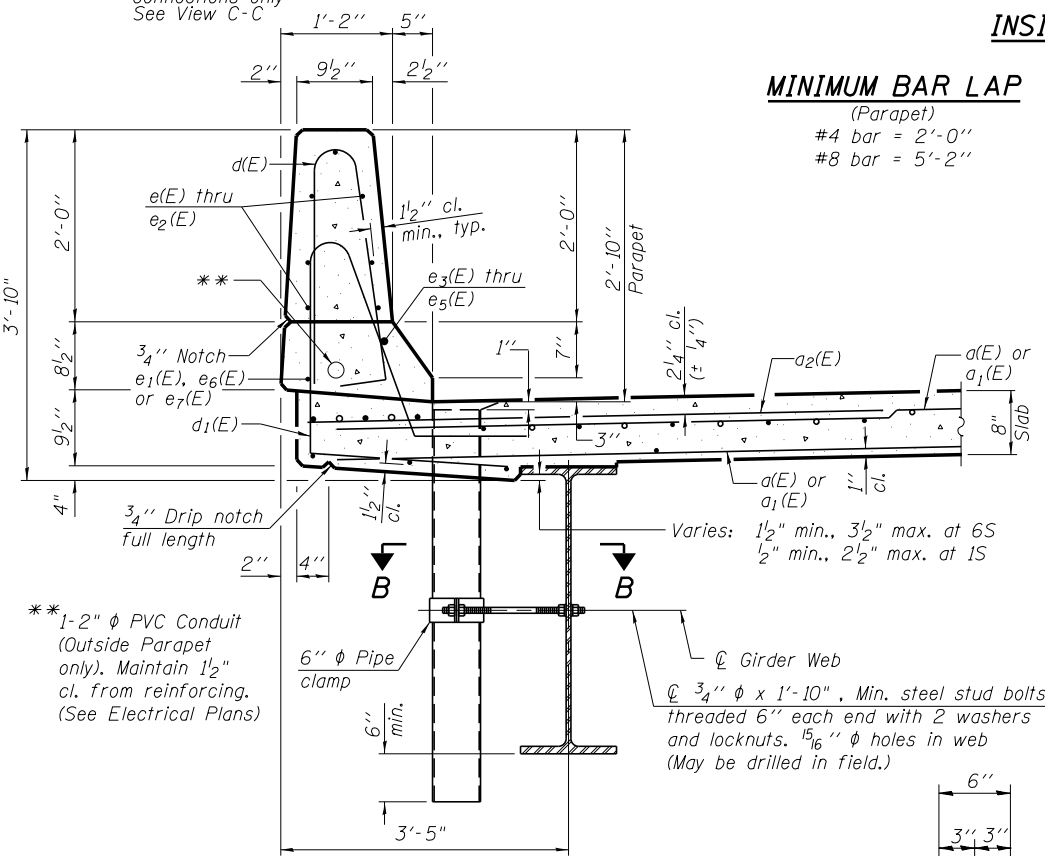
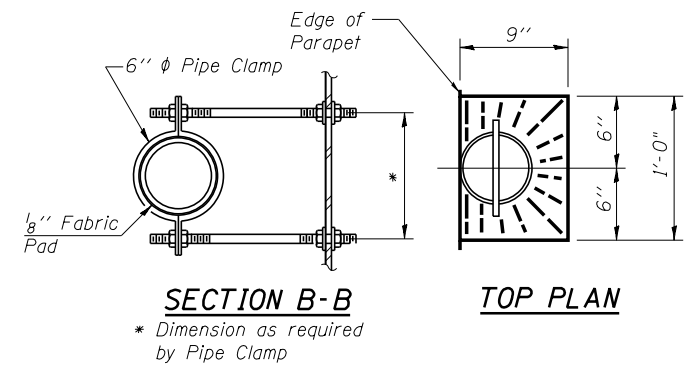


INSIDE ELEVATION OF PARAPET - SN 016-1001



SECTION THRU PARAPET

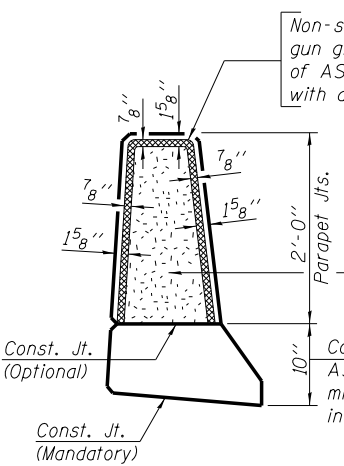


SECTION B-B
* Dimension as required by Pipe Clamp

TOP PLAN

MINIMUM BAR LAP

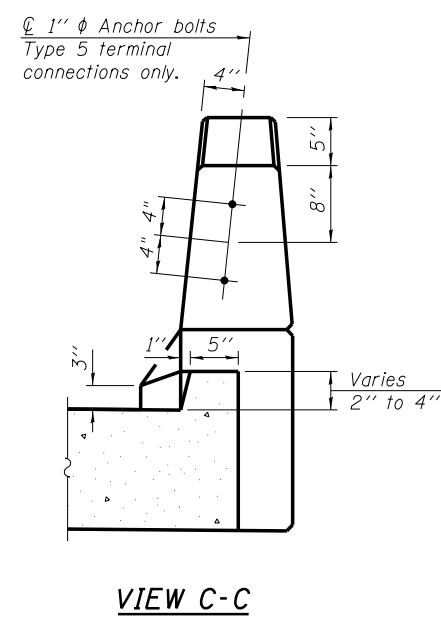
(Parapet)
#4 bar = 2'-0"
#8 bar = 5'-2"



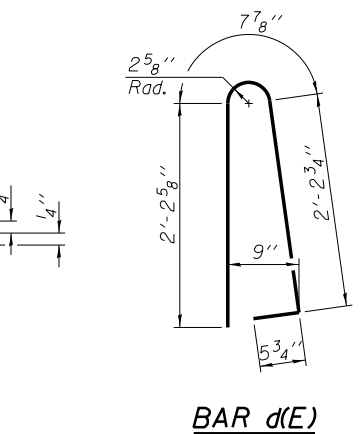
PARAPET JOINT DETAILS

NOTES:

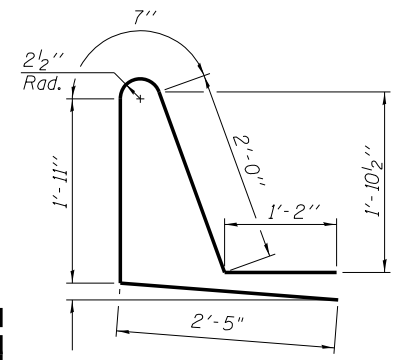
- Drains shall be located clear of all diaphragms.
- The exterior surfaces of the floor drains shall be painted with the finish coat as specified in Section 506 of the Standard Specifications. The exterior surfaces of the drains shall be cleaned according to the Society of Protective Coatings Spec. SSPC-SP1 prior to painting.
- Fiberglass pipe shall conform to ASTM D 2996, with short-time rupture strength hoop tensile stress of 30,000 p.s.i. minimum.
- Galvanize clamping device according to AASHTO M232. Cost of clamping device and inserts is included with Floor Drains.



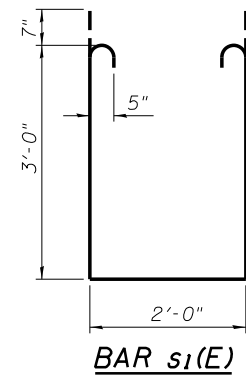
VIEW C-C



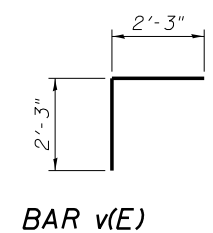
BAR d(E)



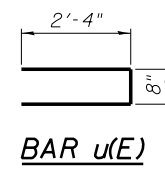
BAR d1(E)



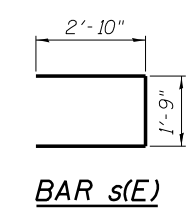
BAR s1(E)



BAR v(E)



BAR u(E)



BAR s(E)

SUPERSTRUCTURE BILL OF MATERIAL

Bar	No.	Size	Length	Shape
d(E)	616	#5	21'-3"	—
a1(E)	616	#5	22'-0"	—
a2(E)	764	#6	6'-6"	—
b(E)	288	#5	31'-10"	—
b1(E)	88	#6	57'-1"	—
b2(E)	287	#5	27'-9"	—
d(E)	192	#5	5'-7"	┌
d1(E)	192	#5	8'-1"	┌
m(E)	24	#5	4'-0"	—
m1(E)	16	#6	3'-0"	—
m2(E)	32	#6	7'-0"	—
m3(E)	16	#6	21'-10"	—
m4(E)	16	#6	21'-1"	—
m5(E)	8	#6	2'-11"	—
m6(E)	8	#6	3'-8"	—
s(E)	98	#5	7'-5"	┌
s1(E)	84	#5	9'-2"	┌
u(E)	98	#5	5'-4"	┌
e(E)	56	#4	10'-8"	—
e1(E)	64	#4	15'-10"	—
e2(E)	56	#4	16'-2"	—
e3(E)	4	#8	21'-9"	—
e4(E)	8	#8	15'-10"	—
e5(E)	4	#8	35'-6"	—
e6(E)	4	#4	21'-9"	—
e7(E)	4	#4	33'-11"	—
v(E)	92	#5	4'-6"	┌
Reinforcement Bars, Epoxy Coated		Pound	70335	
Concrete Superstructure		Cu. Yd.	242.6	
Floor Drains		Each	4	
Bridge Deck Grooving		Sq. Yd.	801	
Protective Coat		Sq. Yd.	1038	

Bars indicated thus 1 x 2-#8 etc. indicates 1 line of bars with 2 lengths per line.

FILE NAME = 0161000.60J16.017.superstrdet.NB.dgn	USER NAME = tjenicke	DESIGNED - JOB	REVISIONS -
		CHECKED - RMM	REVISIONS -
		DRAWN - MAK	REVISIONS -
		CHECKED - RMM	REVISIONS -
			REVISIONS -

F.A.P. RT.	SECTION	COUNTY	TOTAL SHEETS	SHEET NO.
372	2013-038B-R	COOK	821	265
				CONTRACT NO. 60J16
ILLINOIS FED. AID PROJECT				

X:\1000005\100093\Eng_Docs_Phase_1\11\SN_016-1000-1001-1st-Ave-over-47th-St\Final\0161000-60J16-017_superstrdet.NB.dgn 2/28/06 PM 6/23/2014