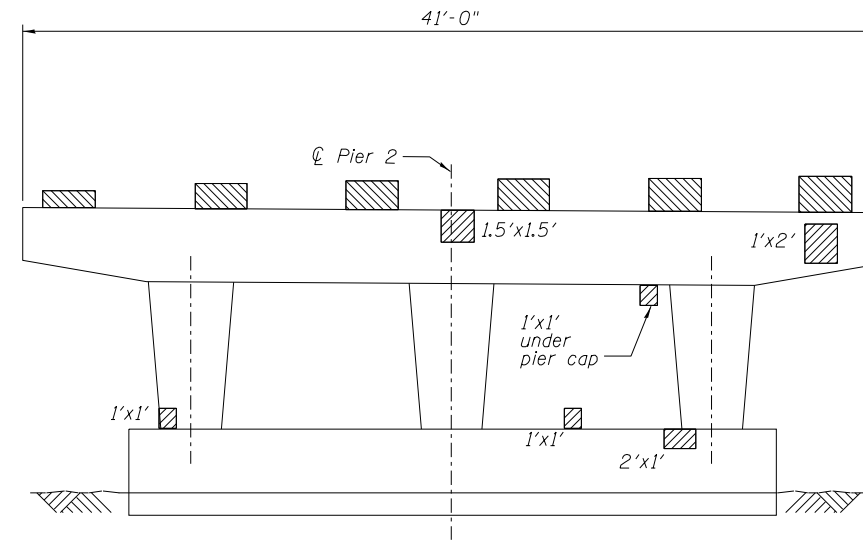


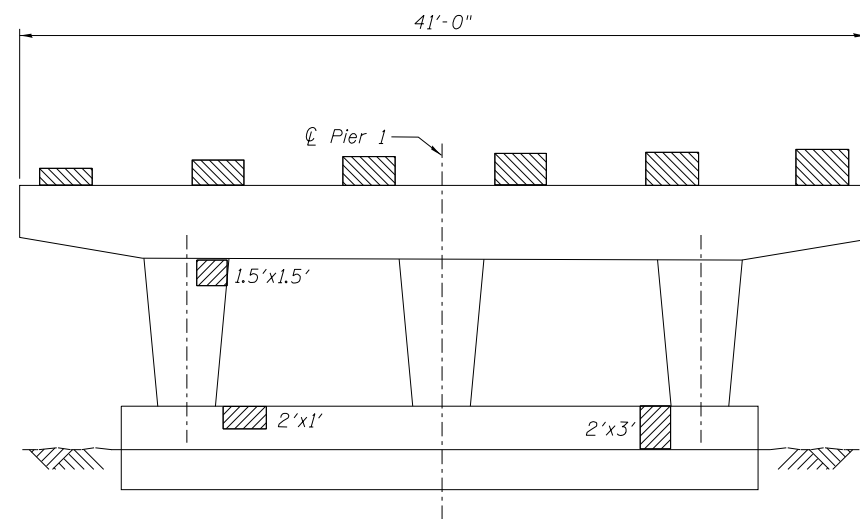
**PIER 1 - SN 016-1001**

Looking South



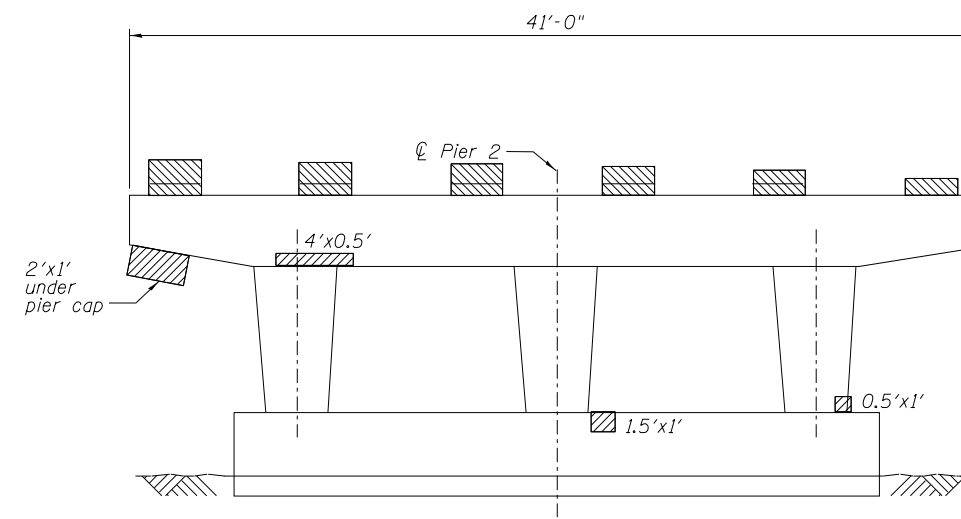
**PIER 2 - SN 016-1001**

Looking South



**PIER 1 - SN 016-1001**

Looking North



**PIER 2 - SN 016-1001**

Looking North

**NOTES:**

1. Actual quantities of repairs shall be approved by the Engineer.
2. Existing reinforcement shall be cleaned and incorporated into the new construction. Cost included with "Concrete Removal".

**LEGEND**

- Concrete Removal
- Structural Repair of Concrete (Depth Equal to or Less Than 5 Inches)

**BILL OF MATERIAL**

ITEM	UNIT	TOTAL
Concrete Removal	Cu. Yd.	2.6
Structural Repair of Concrete (Depth Equal to or Less Than 5 Inches)	Sq. Ft.	35

**benesch**  
engineers · scientists · planners  
Alfred Benesch & Company  
205 North Michigan Avenue, Suite 2400  
Chicago, Illinois 60601  
312-565-0450 Job No. 10093

FILE NAME =	USER NAME = tjenicke	DESIGNED - RMM	REVISED -
		CHECKED - DJM	REVISED -
		DRAWN - FSM	REVISED -
		CHECKED - RMM	REVISED -
0161000_60J16_038_pierrepair_NB.dgn	PLOT SCALE =		
	PLOT DATE = 12/20/2012		

**STATE OF ILLINOIS  
DEPARTMENT OF TRANSPORTATION**

**PIER CONCRETE REMOVAL AND REPAIR DETAILS  
STRUCTURE NO. 016-1000/1001**

SHEET NO. SA38 OF SA40 SHEETS

F.A.P. RTE.	SECTION	COUNTY	TOTAL SHEETS	SHEET NO.
372	2013-038B-R	COOK	821	286
			CONTRACT NO. 60J16	
ILLINOIS FED. AID PROJECT				