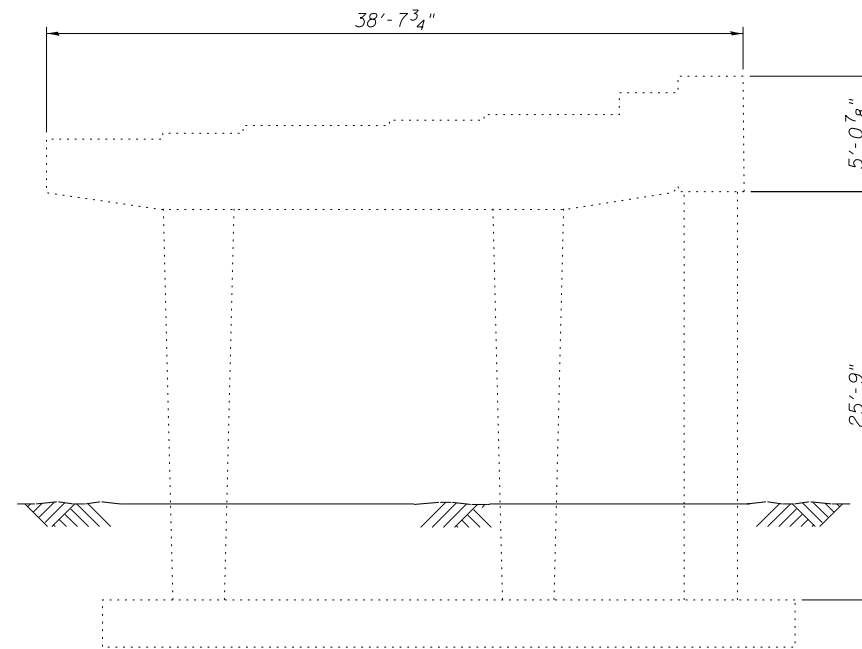
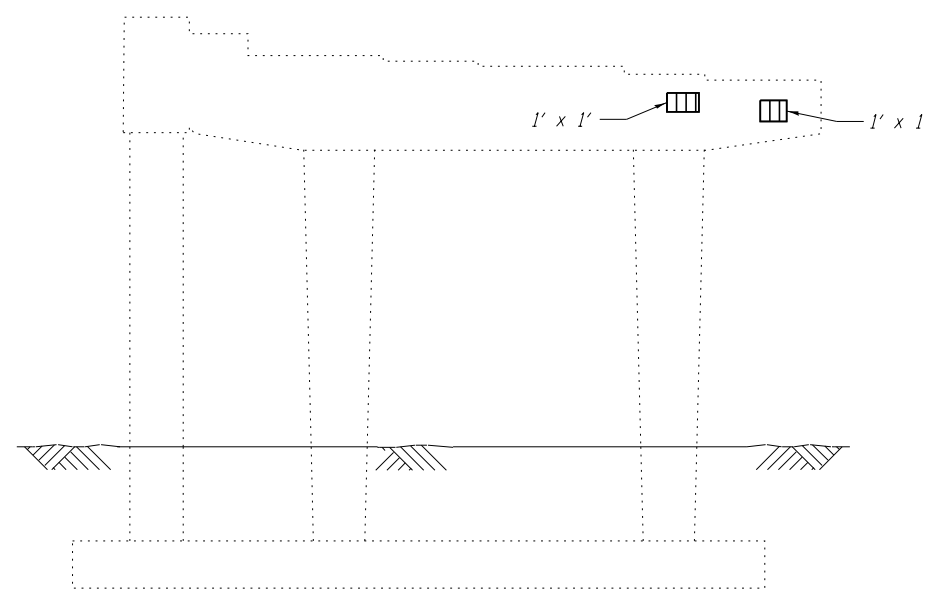


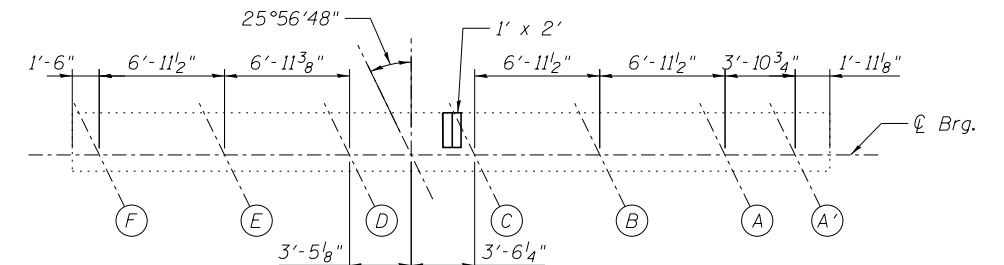
PIER 3
(Cap Plan)



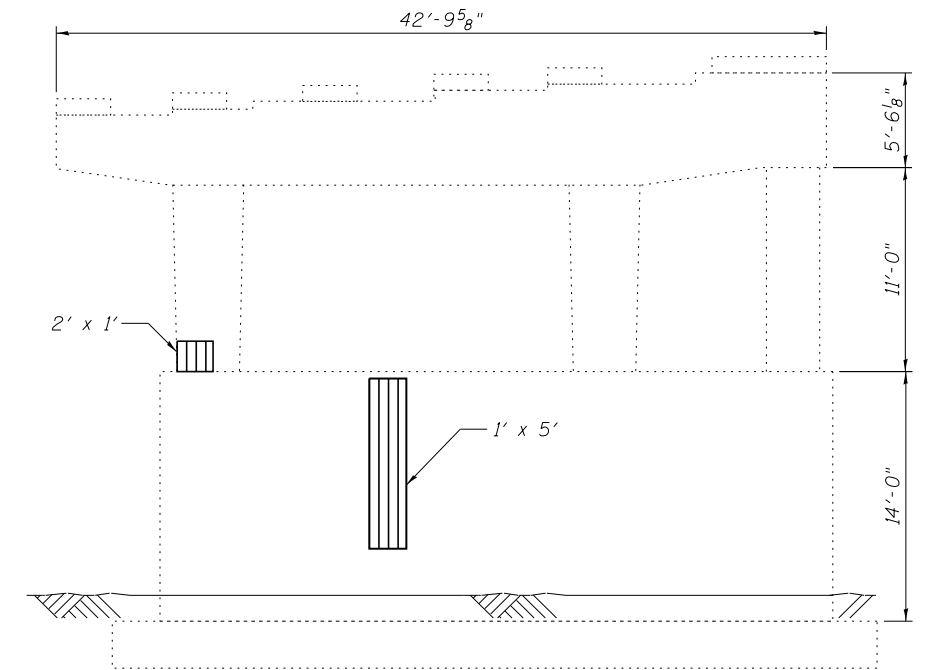
PIER 3
(Looking South)



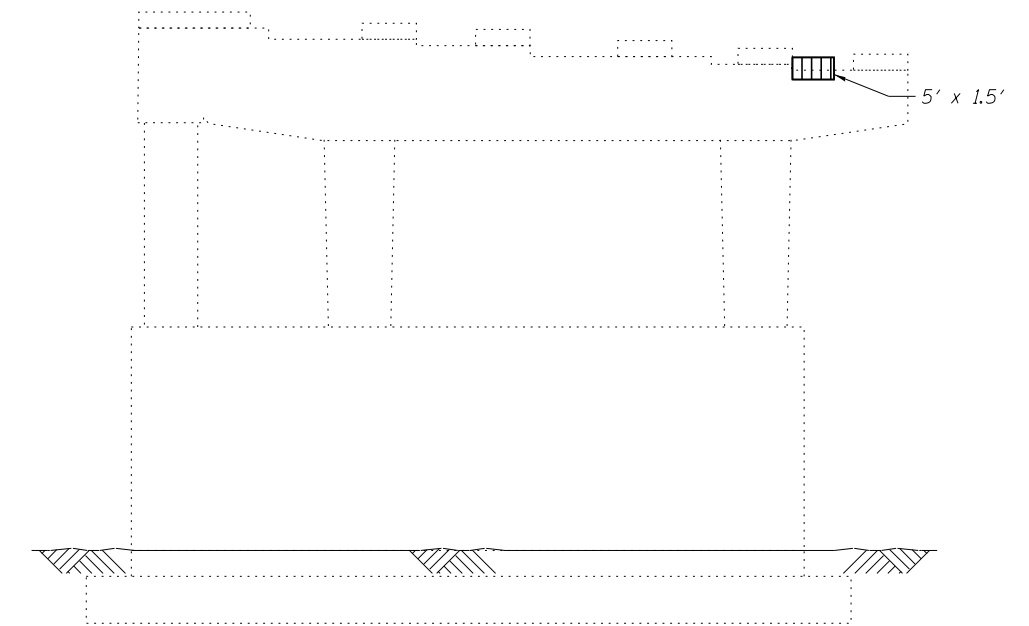
PIER 3
(Looking North)



PIER 4
(Cap Plan)



PIER 4
(Looking South)



PIER 4
(Looking North)

BILL OF MATERIAL

SYMBOL	ITEM	UNIT	QUANTITY
	Structural Repair of Concrete (Depth Equal to or Less Than 5 Inches)	Sq. Ft.	23

benesch
engineers · scientists · planners

Alfred Benesch & Company
205 North Michigan Avenue, Suite 2400
Chicago, Illinois 60601
312-565-0450 Job No. 10093

FILE NAME =	USER NAME = tjenicke	DESIGNED - CMK	REVISED -
016-1005-60J16-005-piers 3&4.dgn		CHECKED - JAW	REVISED -
	PLOT SCALE =	DRAWN - CMK	REVISED -
	PLOT DATE = 6/23/2014	CHECKED - JAW	REVISED -

STATE OF ILLINOIS
DEPARTMENT OF TRANSPORTATION

SUBSTRUCTURE REPAIRS – PIERS 3 AND 4
STRUCTURE NO. 016-1005

SHEET NO. SB5 OF SB6 SHEETS

F.A.P. RTE.	SECTION	COUNTY	TOTAL SHEETS	SHEET NO.
372	2013-038B-R	COOK	821	318
CONTRACT NO. 60J16				

ILLINOIS FED. AID PROJECT