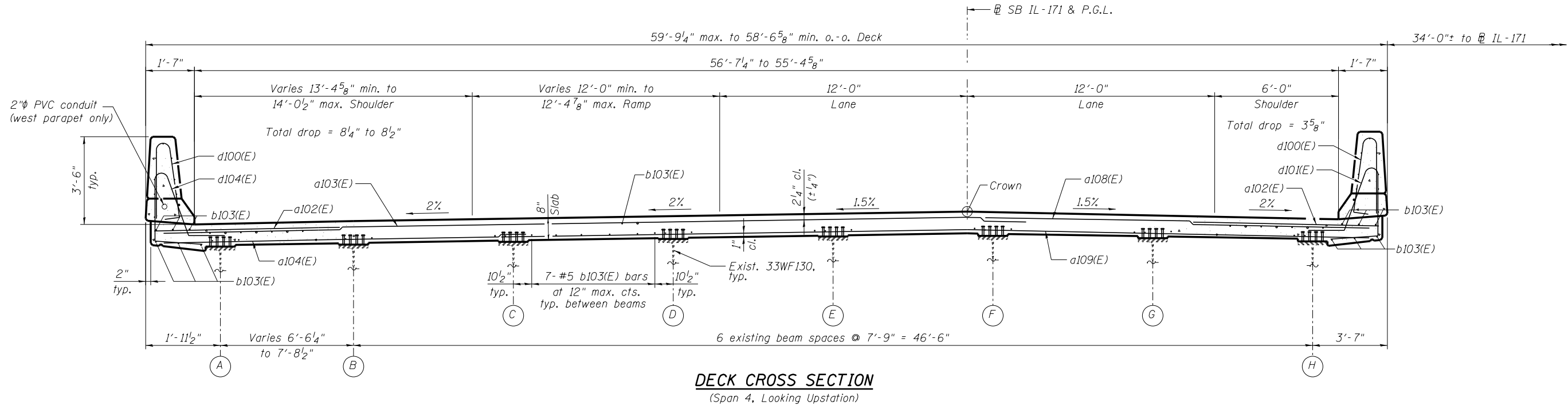


NOTE A:
 7-#5 b102(E) bars, spacing varies:
 6" cts. at Pier 16
 7 3/4" cts. at Pier 17
 10" cts. at Pier 18
 12 1/2" cts. at Pier 19

DECK CROSS SECTION
 (Spans 1 thru 3, Looking Upstation)



DECK CROSS SECTION
 (Span 4, Looking Upstation)

FILE NAME =	USER NAME = jsurber	DESIGNED - JOB	REVISED -
0162455.60J16.014_decksections.dgn		CHECKED - GJK	REVISED -
	PLOT SCALE =	DRAWN - MAK	REVISED -
	PLOT DATE = 12/20/2013	CHECKED - JOB	REVISED -

F.A.P. RTE.	SECTION	COUNTY	TOTAL SHEETS	SHEET NO.
372	2013-038B-R	COOK	821	340
			CONTRACT NO. 60J16	
ILLINOIS FED. AID PROJECT				