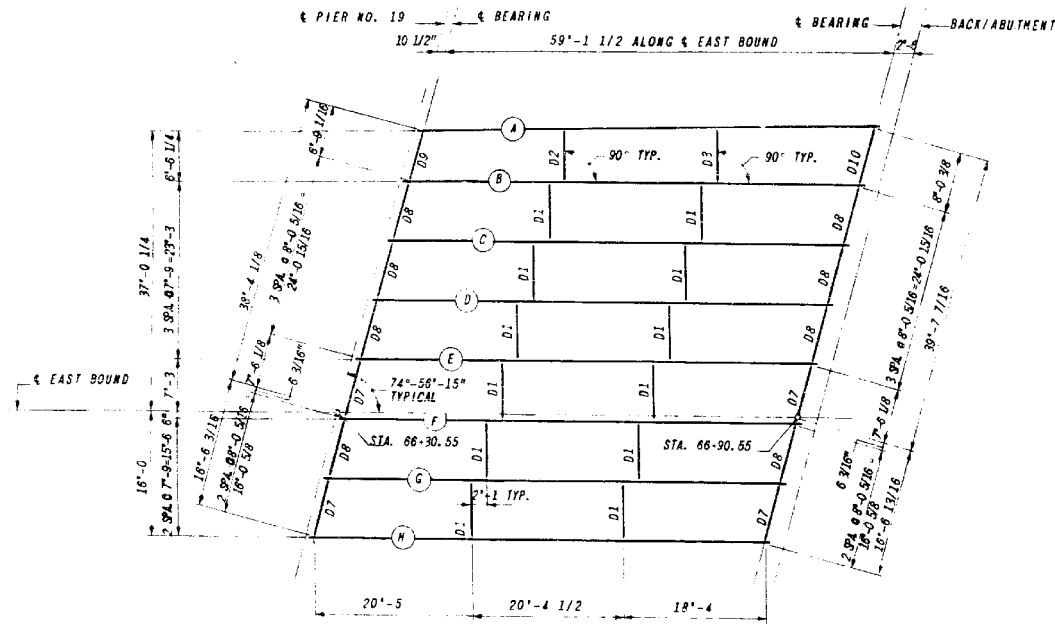
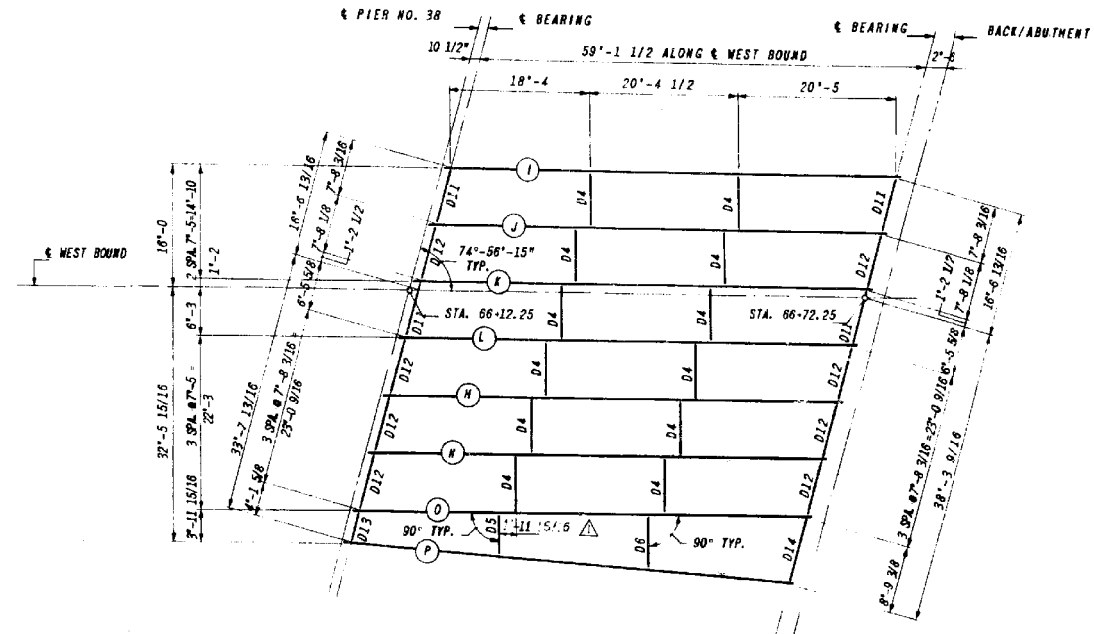


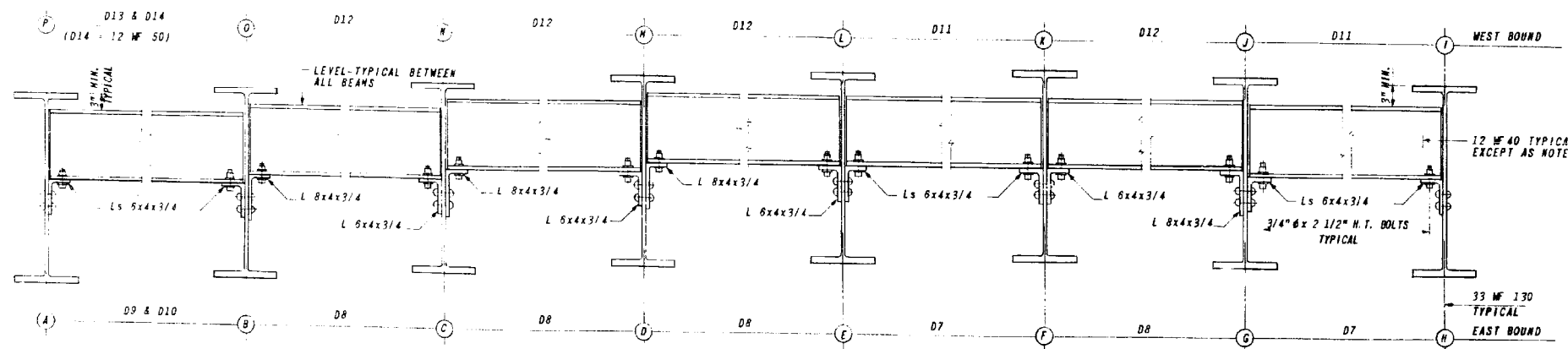
F.A. RTZ.	SECTION	EXPRESHWAYS	TOTAL SHEETS	SHEET NO.
13	0606-627 VB	SOUTHWEST		3-4
STA.		TO STA.		
FED. ROAD DIST. NO. 1		ILLINOIS		FED. AID PROJECT



FRAMING PLAN SPAN NO. 4 EAST BOUND

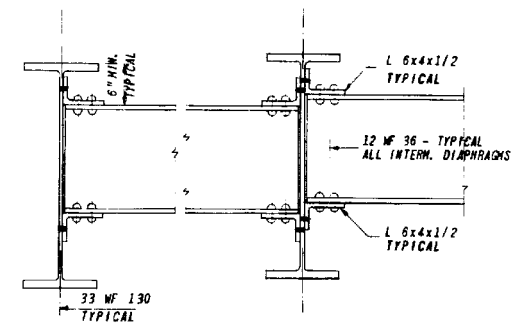


FRAMING PLAN SPAN NO. 4 WEST BOUND



END DIAPHRAGM - SPAN NO. 4 - EAST BOUND & WEST BOUND

- D7 & D11 - 4 EACH REQ'D
 - D8 & D12 - 8 EACH REQ'D
 - D9, D10, D13 & D14 - 1 EACH REQ'D
- NO SCALE



INTERMEDIATE DIAPHRAGM

- D1 & D4 - 12 EACH REQ'D
 - D2, D3, D5 & D6 - 1 EACH REQ'D
- NO SCALE

AS BUILT

This sheet (31A) replaces sheet (31) of the contract drawings. All revisions are made by the consultant. (RPE 52968)

REVISIONS	
NAME	DATE
REVISION	F-6-64
REVISION	ST-P-X
REVISION	C-W

ILLINOIS DIVISION OF HIGHWAYS	
SOUTHWEST EXPRESSWAY	
F.A. RT 133	
LAWDALE AVE. STRUCTURE OVER AT & S.F.R.Y. C&N.W. RR & B&OCT R.R.	
SECTION 0606-627 VB	
FRAMING PLAN SPAN NO 4 EB&WB	
SCALE: HORIZ. 3/4"=1'-0" EXCEPT AS NOTED	DRAWN BY J.W.
DATE 11-20-63	CHECKED BY L.R.

benesch
engineers · scientists · planners

Alfred Benesch & Company
205 North Michigan Avenue, Suite 2400
Chicago, Illinois 60601
312-565-0450 Job No. 10093

FILE NAME =	USER NAME = tjenicke	DESIGNED - RDK	REVISED -
0162455.60J16.040.existplan.dgn		CHECKED - JDM	REVISED -
	PLOT SCALE =	DRAWN - MAK	REVISED -
	PLOT DATE = 12/20/2013	CHECKED - JDM	REVISED -

STATE OF ILLINOIS
DEPARTMENT OF TRANSPORTATION

EXISTING PLAN INFORMATION (5 OF 14)
STRUCTURE NO. 016-2455

SHEET NO. SCX5 OF SCX14 SHEETS

FOR INFORMATION ONLY

F.A.P. RTE.	SECTION	COUNTY	TOTAL SHEETS	SHEET NO.
372	2013-038B-R	COOK	821	366
			CONTRACT NO. 60J16	
ILLINOIS FED. AID PROJECT				