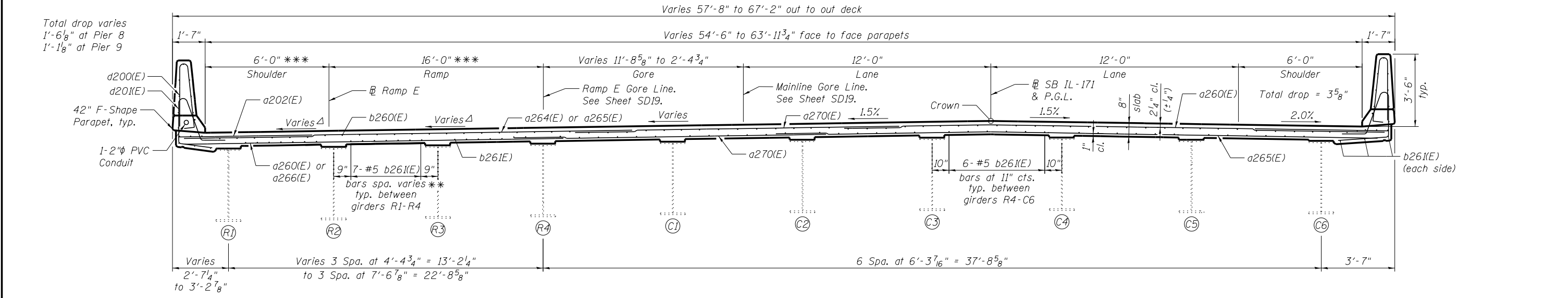


DECK CROSS SECTION - SPAN 4
(Looking Upstation, North)

*12" at Pier 7
5 1/2" at Pier 8

*** Measured perpendicular to Ramp E



DECK CROSS SECTION - SPAN 5
(Looking Upstation, North)

*12" at Pier 8
5 3/4" at Pier 9

Δ See S.E. Data Table on Sheet SD30.

NOTES:

1. For Superstructure Details and Bar Bends, see Sheet SD45.
2. For Bill of Material, see Sheet SD46.
3. Barrier widths are measured perpendicular from the edge of deck. Overhang widths are measured perpendicular from the fascia girders. Girder spacings and all remaining deck dimensions are measured perpendicular to the baseline of SB IL-171 unless noted otherwise.

MINIMUM BAR LAP

(Slab and Parapet)
#5 bar = 3'-3"
#6 bar = 3'-10"

benesch
engineers · scientists · planners
Alfred Benesch & Company
205 North Michigan Avenue, Suite 2400
Chicago, Illinois 60601
312-565-0450 Job No. 10093

FILE NAME =	USER NAME = ksnider	DESIGNED - AWH	REVISED -
		CHECKED - MFH	REVISED -
		DRAWN - RMG/KMS	REVISED -
		CHECKED - MFH	REVISED -
0162457.60J16.035.Deck.Section.Unrt.C.dgn	PLOT SCALE =		
	PLOT DATE = 12/20/2013		

STATE OF ILLINOIS
DEPARTMENT OF TRANSPORTATION

DECK CROSS SECTION UNIT C SPANS 4 & 5
STRUCTURE NO. 016-2457

SHEET NO. SD35 OF SD83 SHEETS

F.A.P. RTE.	SECTION	COUNTY	TOTAL SHEETS	SHEET NO.
372	2013-038B-R	COOK	821	410
CONTRACT NO. 60J16				
ILLINOIS FED. AID PROJECT				

Y:\chicago\100005\10093\Eng_Docs\Phase_1\SN_016_2456_2457_1st_Ave_over_Des_Plaines_River_Valley\Final\0162457_60J16_035_Deck.Section.Unrt.C.dgn 3:44:29 PM 8/6/2014