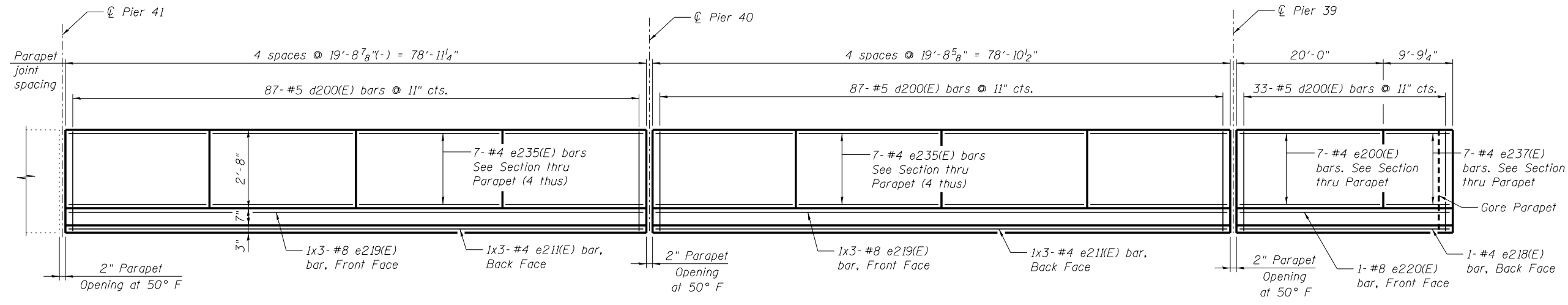


**INSIDE ELEVATION OF RAMP E WEST PARAPET**



**INSIDE ELEVATION OF RAMP E EAST PARAPET**

(Reflected View Shown)

**MINIMUM BAR LAP**

(Parapet)  
 #4 bar = 2'-0"  
 #8 bar = 5'-2"

**NOTES:**

- All dimensions shown are along the toe of the parapet (gutterline).
- Bars indicated thus 1x3-#8 etc. indicates 1 line of bars with 3 lengths per line.
- See Sheet SD43 for cross section thru parapet.
- Span 3E Ramp E bars included in Unit A Bill of Material.

**benesch**  
 engineers · scientists · planners  
 Alfred Benesch & Company  
 205 North Michigan Avenue, Suite 2400  
 Chicago, Illinois 60601  
 312-565-0450 Job No. 10093

FILE NAME =	USER NAME = ksnider	DESIGNED - AWH	REVISED -
		CHECKED - MFH	REVISED -
		DRAWN - AWH	REVISED -
		CHECKED - MFH	REVISED -

**STATE OF ILLINOIS  
 DEPARTMENT OF TRANSPORTATION**

**PARAPET ELEVATION UNIT A RAMP E  
 STRUCTURE NO. 016-2457**

F.A.P. RT.E.	SECTION	COUNTY	TOTAL SHEETS	SHEET NO.
372	2013-038B-R	COOK	821	414
ILLINOIS FED. AID PROJECT			CONTRACT NO. 60J16	

SHEET NO. SD39 OF SD83 SHEETS

Y:\chicago\100005\10093\Eng\_Docs\_Phase\_1\SN\_016-2456-2457-1st\_Ave\_cover\_Des\_Plaines\_River\_Valley\Final\0162457\_60J16\_039\_Parapet\_Details\_Ramp\_E.dgn 3:45:20 PM 8/6/2014