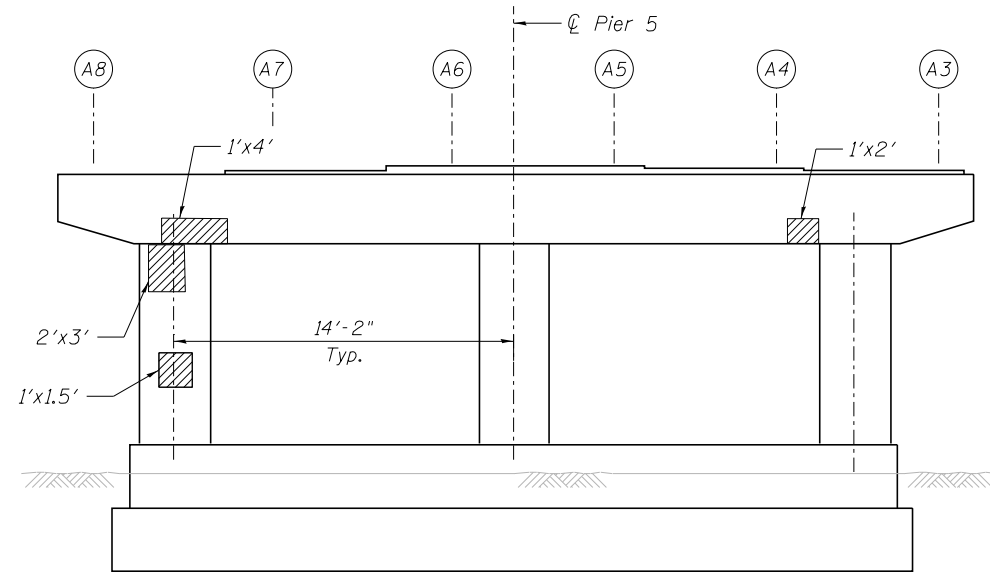
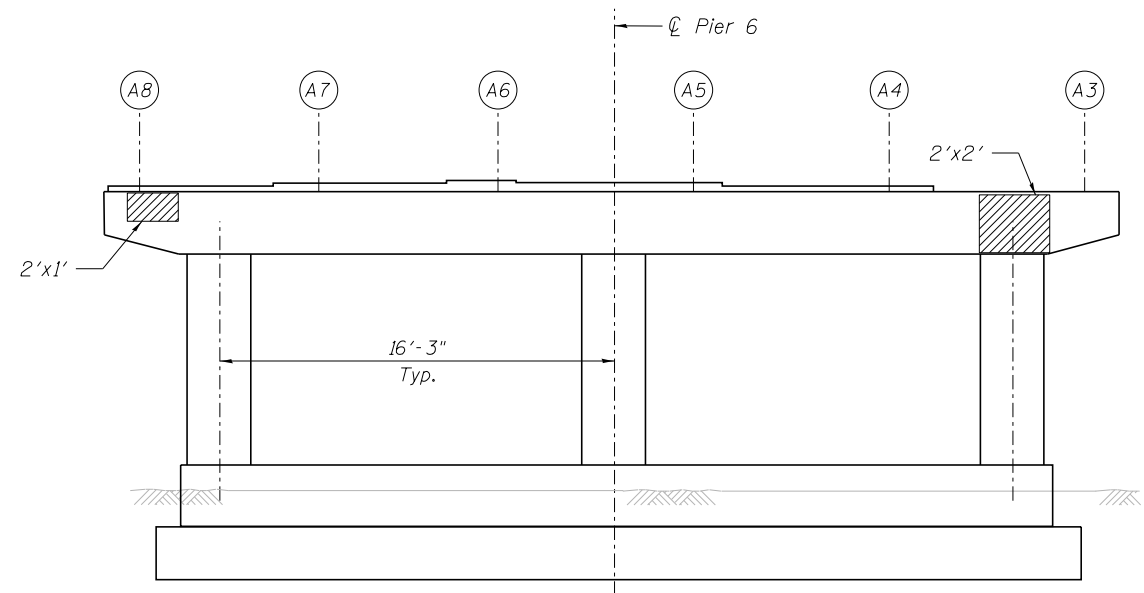


PIER 5
Looking South

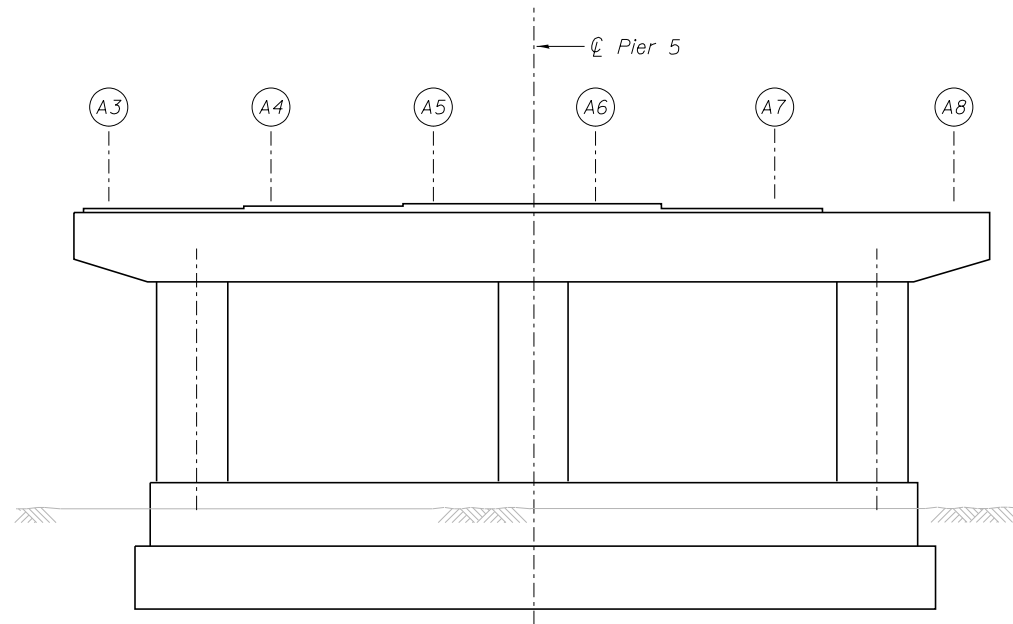


PIER 5
Looking East

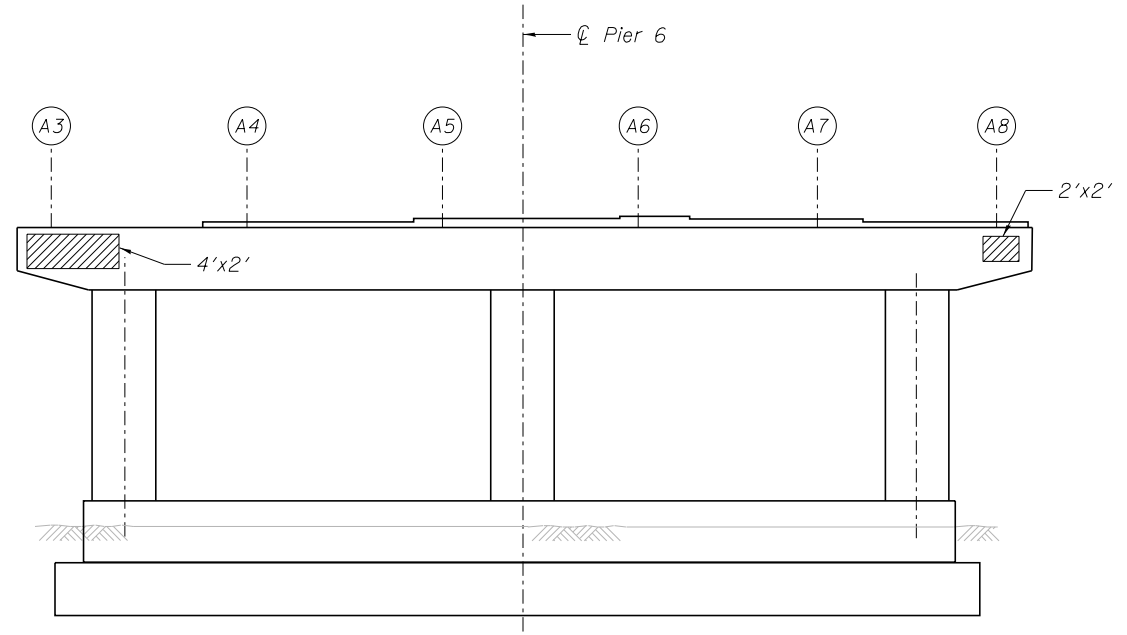


PIER 6
Looking East

See Str. No. 016-0483
For Pier 4



PIER 5
Looking West



PIER 6
Looking West

LEGEND

- Structural Repair of Concrete
(Depth Equal to or Less Than 5 Inches)
- Epoxy Crack Injection

NOTE:

Actual quantities of repairs shall be approved by the Engineer.

BILL OF MATERIAL

ITEM	UNIT	TOTAL
Structural Repair of Concrete (Depth Equal to or Less Than 5 Inches)	Sq. Ft.	44
Epoxy Crack Injection	Foot	5

benesch
engineers · scientists · planners

Alfred Benesch & Company
205 North Michigan Avenue, Suite 2400
Chicago, Illinois 60601
312-565-0450 Job No. 10093

FILE NAME =
0162457.60J16.071.pierrepair5-6.dgn

USER NAME = ksnider
DESIGNED - FSM
CHECKED - RMM
PLOT SCALE =
DRAWN - FSM
PLOT DATE = 12/20/2013
CHECKED - RMM

DESIGNED - FSM
CHECKED - RMM
DRAWN - FSM
CHECKED - RMM
REVISED -
REVISED -
REVISED -
REVISED -

**STATE OF ILLINOIS
DEPARTMENT OF TRANSPORTATION**

**PIERS 5 AND 6 CONCRETE REPAIR DETAILS
STRUCTURE NO. 016-2457**

SHEET NO. SD71 OF SD83 SHEETS

F.A.P. RTE.	SECTION	COUNTY	TOTAL SHEETS	SHEET NO.
372	2013-038B-R	COOK	821	446
CONTRACT NO. 60J16			ILLINOIS FED. AID PROJECT	

Y:\chicago\100005\10093\Eng_Docs_Phase_1\1\SN_016_2456_2457_1st_Ave_over_Des_Plaines_River_Valley\Final\0162457_60J16_071.pierrepair5-6.dgn 8/6/2014 3:51:57 PM