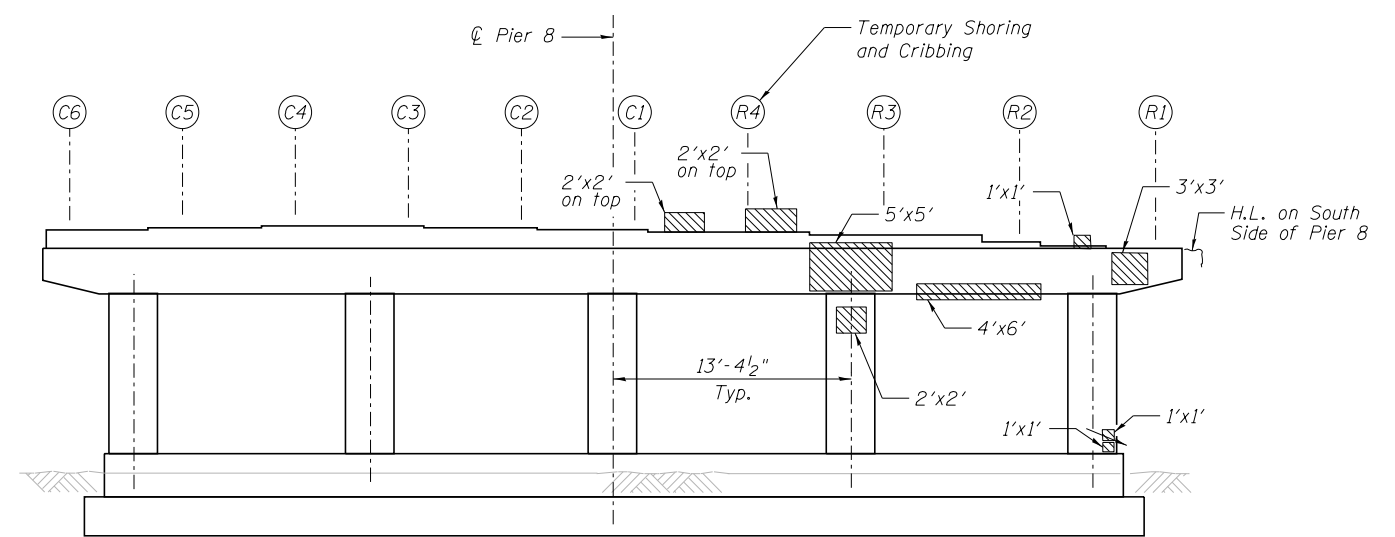
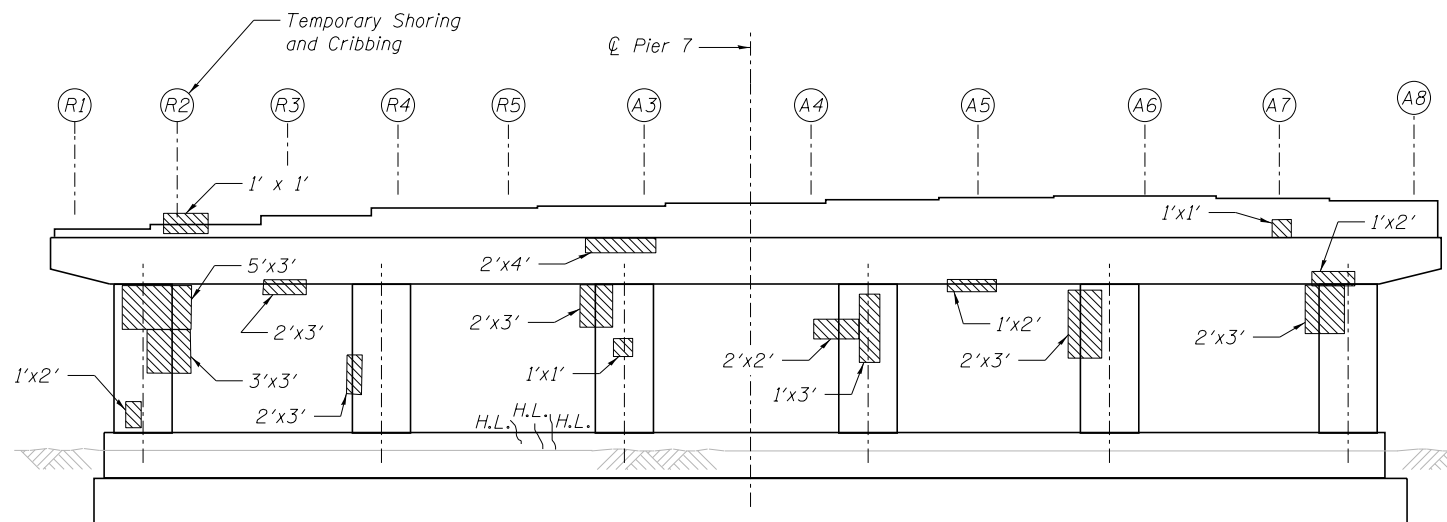


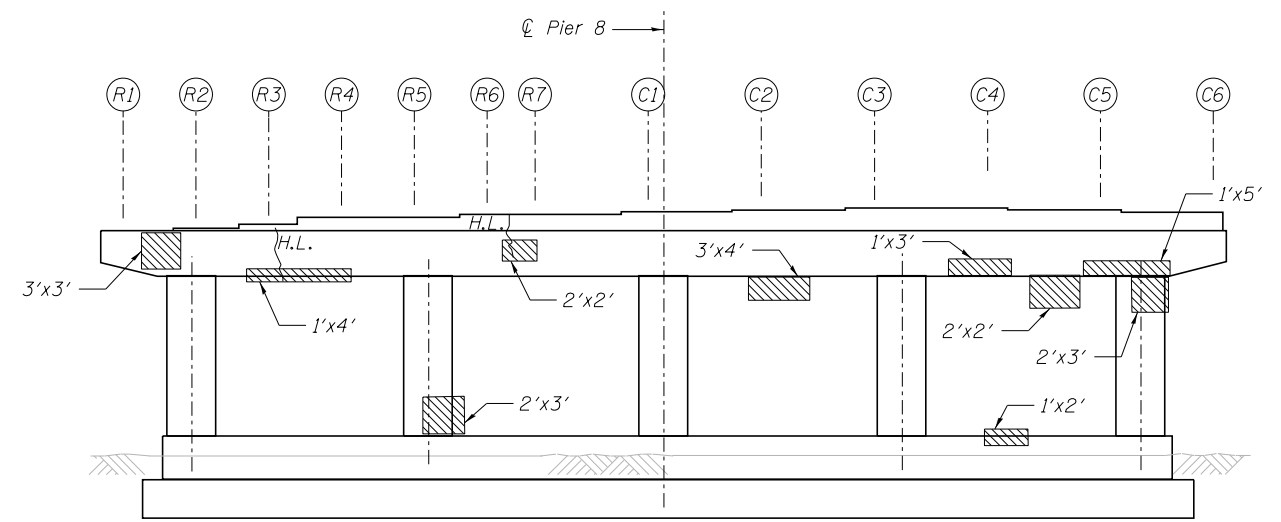
PIER 7
Looking East



PIER 8
Looking East



PIER 7
Looking West



PIER 8
Looking West

UNFACTORED BEAM REACTIONS (KIPS)

LOCATION	DEAD LOAD
Girder R2 - Span 3E	8.0
Girder R4 - Span 5	8.0

Repairs shall be completed when the deck is removed
Dead Load represents steel weight only

BILL OF MATERIAL

ITEM	UNIT	TOTAL
Structural Repair of Concrete (Depth Equal to or Less Than 5 Inches)	Sq. Ft.	261
Temporary Shoring and Cribbing	Each	2

LEGEND

- Structural Repair of Concrete (Depth Equal to or Less Than 5 Inches)
- H.L. { Hairline Crack (not to be repaired)

NOTE:

Actual quantities of repairs shall be approved by the Engineer.

benesch
engineers · scientists · planners
Alfred Benesch & Company
205 North Michigan Avenue, Suite 2400
Chicago, Illinois 60601
312-565-0450 Job No. 10093

FILE NAME =	USER NAME = ksnider	DESIGNED - FSM	REVISED -
		CHECKED - RMM	REVISED -
		DRAWN - FSM	REVISED -
		CHECKED - RMM	REVISED -
PLOT SCALE =			
PLOT DATE = 12/20/2013			

STATE OF ILLINOIS
DEPARTMENT OF TRANSPORTATION

PIERS 7 AND 8 CONCRETE REPAIR DETAILS
STRUCTURE NO. 016-2457

SHEET NO. SD72 OF SD83 SHEETS

F.A.P. RTE.	SECTION	COUNTY	TOTAL SHEETS	SHEET NO.
372	2013-038B-R	COOK	821	447
CONTRACT NO. 60J16				
ILLINOIS FED. AID PROJECT				

Y:\chicago\100005\100093\Eng_Docs_Phase_1\11\SN_016_2456_2457_1st_Ave_over_Des_Plaines_River_Valley\Final\0162457_60J16_072_pierrepair-7-8.dgn 3:52:04 PM 8/6/2014