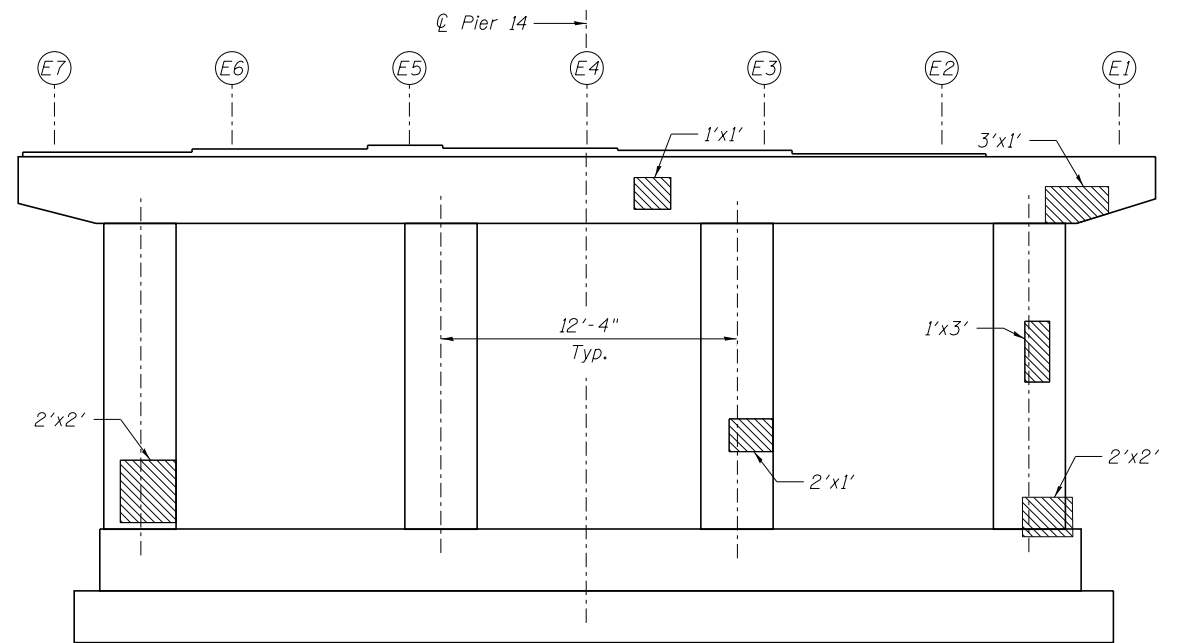
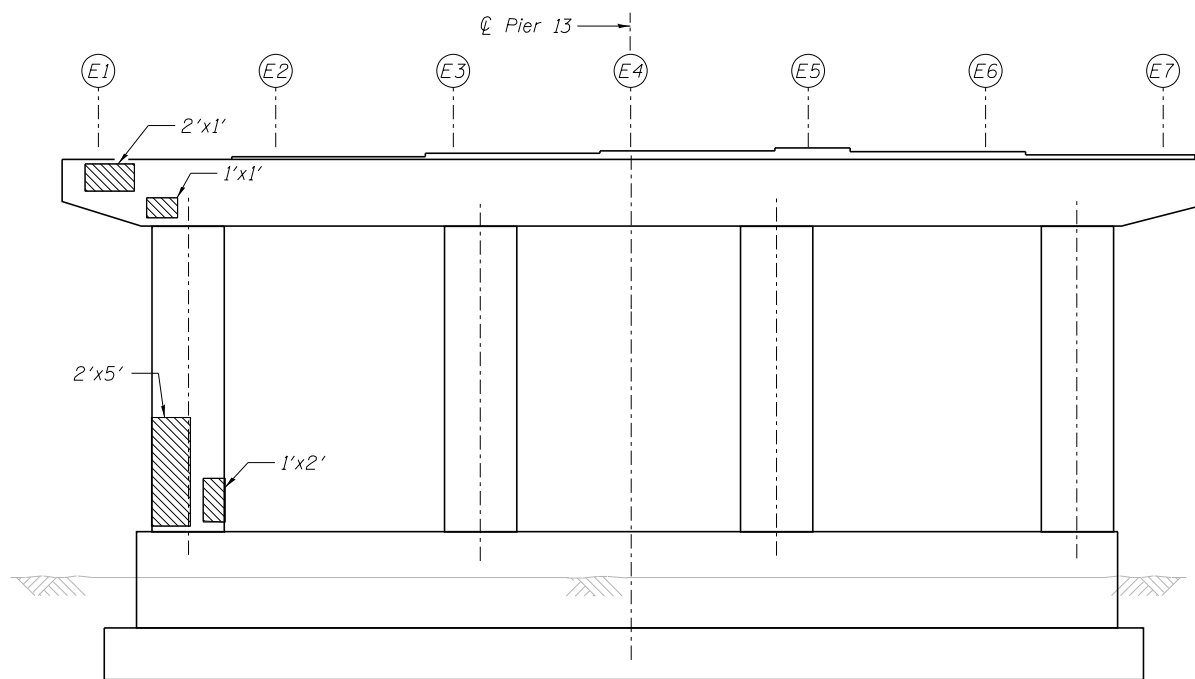


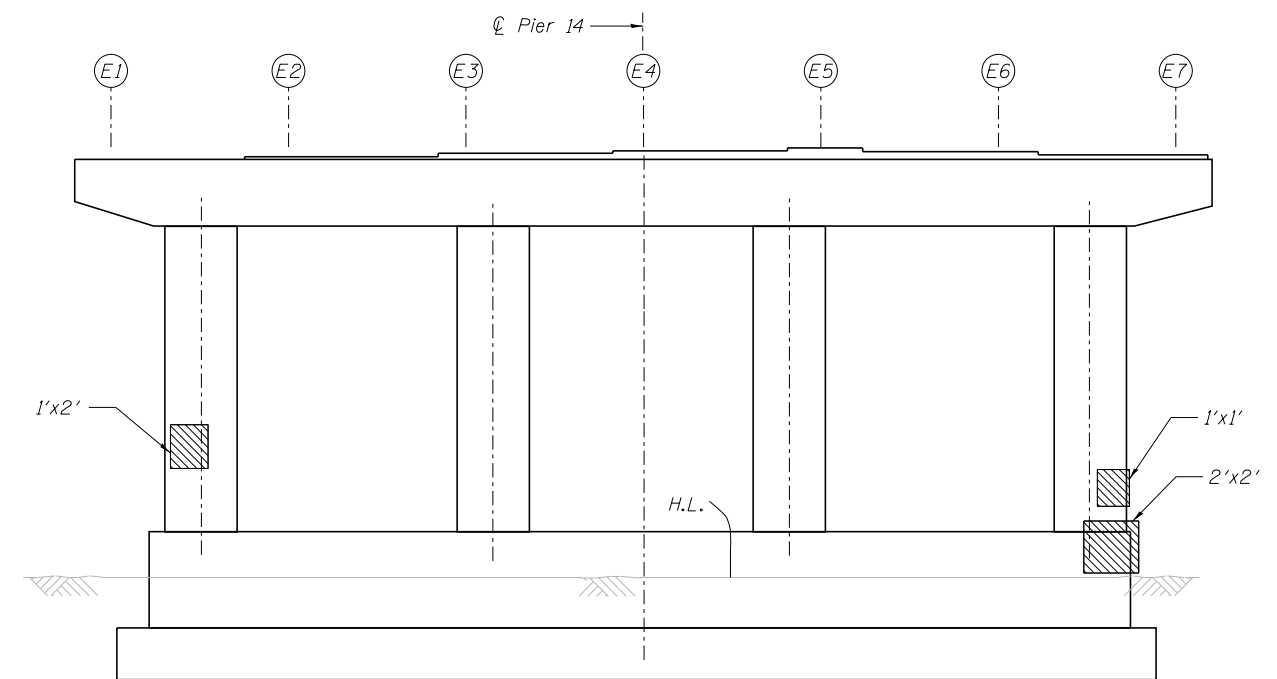
PIER 13
Looking East



PIER 14
Looking East



PIER 13
Looking West



PIER 14
Looking West

BILL OF MATERIAL

ITEM	UNIT	TOTAL
Structural Repair of Concrete (Depth Equal to or Less Than 5 Inches)	Sq. Ft.	71

LEGEND

- Structural Repair of Concrete
(Depth Equal to or Less Than 5 Inches)
- H.L. { Hairline Crack (not to be repaired)

NOTE:

Actual quantities of repairs shall be approved by the Engineer.



Alfred Benesch & Company
205 North Michigan Avenue, Suite 2400
Chicago, Illinois 60601
312-565-0450 Job No. 10093

FILE NAME =
0162457.60J16.075.pierrepair13-14.dgn

USER NAME = ksnider
DESIGNED - FSM
CHECKED - RMM
DRAWN - RSM
PLOT SCALE =
PLOT DATE = 12/20/2013

REVISIED -
REVISIED -
REVISIED -
REVISIED -

**STATE OF ILLINOIS
DEPARTMENT OF TRANSPORTATION**

**PIERS 13 AND 14 CONCRETE REPAIR DETAILS
STRUCTURE NO. 016-2457**

SHEET NO. SD75 OF SD83 SHEETS

F.A.P. RTE.	SECTION	COUNTY	TOTAL SHEETS	SHEET NO.
372	2013-038B-R	COOK	821	450
CONTRACT NO. 60J16				

ILLINOIS FED. AID PROJECT

Y:\chicago\100005\100093\Eng_Docs_Phase_1\1\SN_016_2456_2457_1st_Ave_cover_Des_Plaines_River_Valley\Final\0162457_60J16_075.pierrepair13-14.dgn 3:52:26 PM 8/6/2014