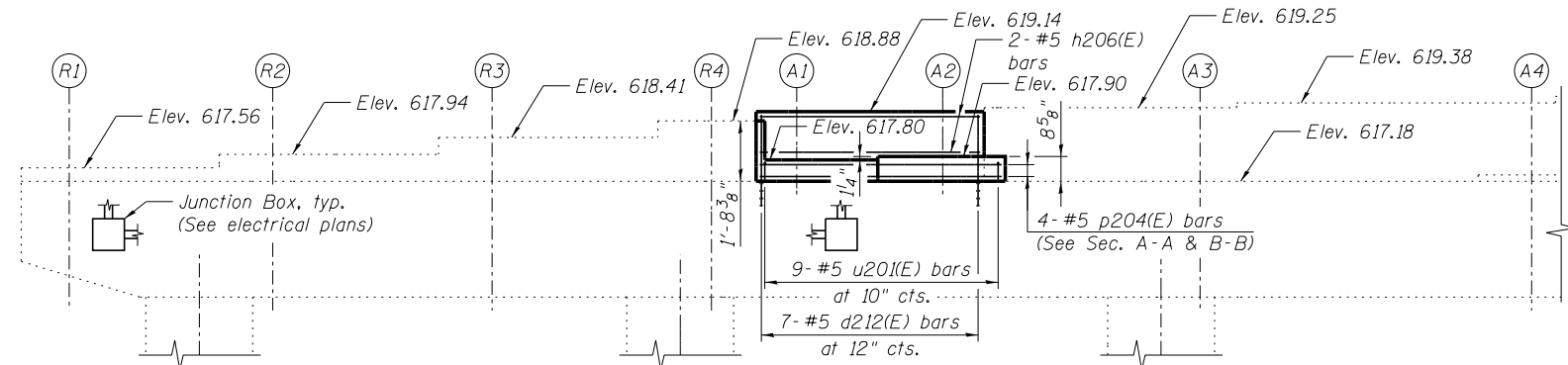
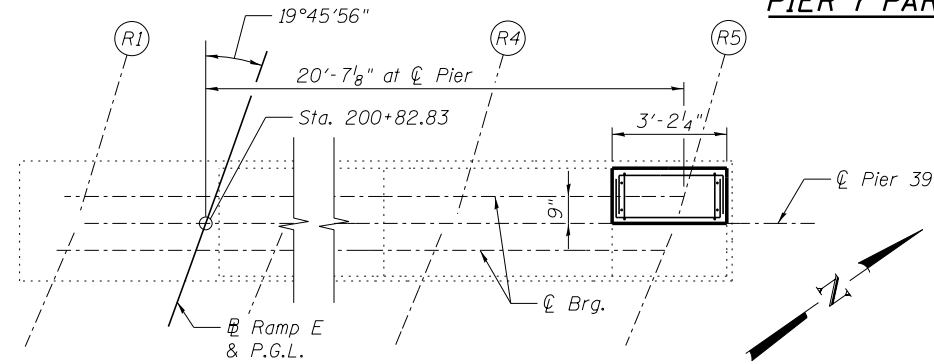


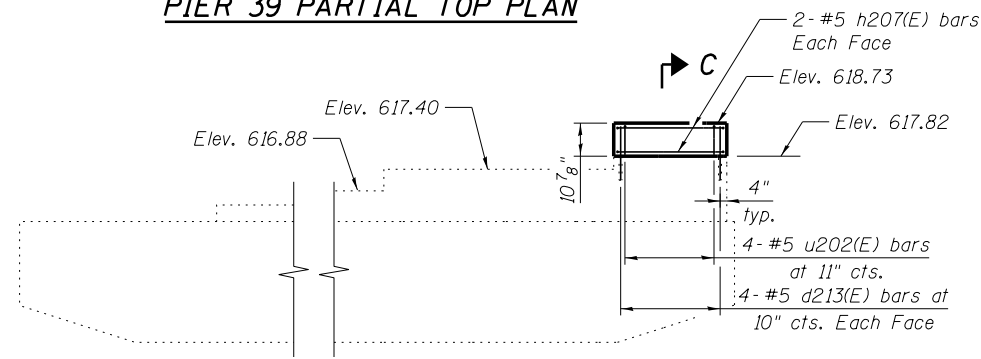
PIER 7 PARTIAL TOP PLAN



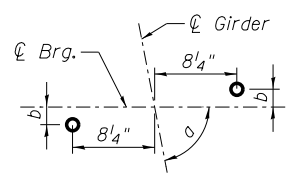
PIER 7 PARTIAL ELEVATION



PIER 39 PARTIAL TOP PLAN

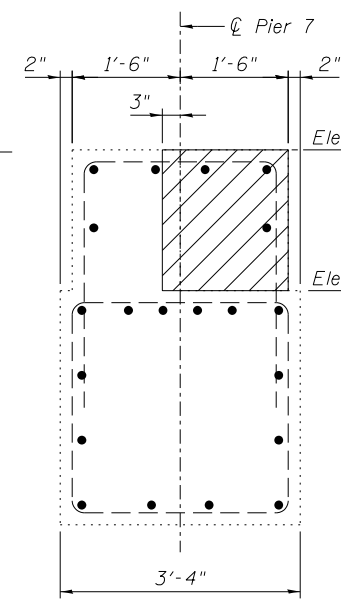


PIER 39 PARTIAL ELEVATION

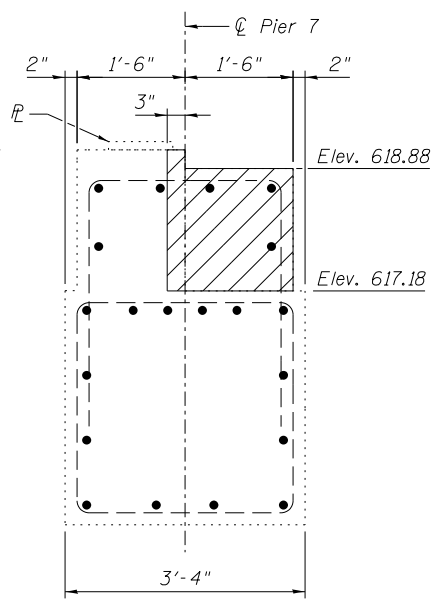


PIER 39 ANCHOR BOLT DETAIL

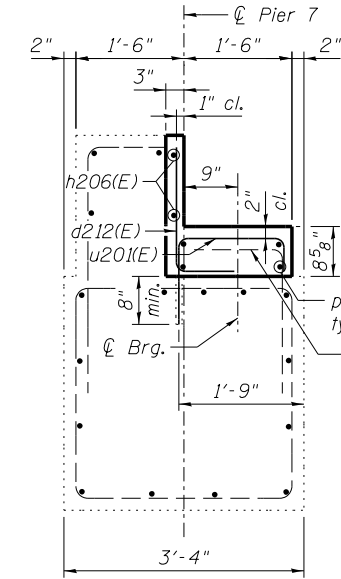
Dimension	Girder R5
a	73°56'21"
b	2 3/8"



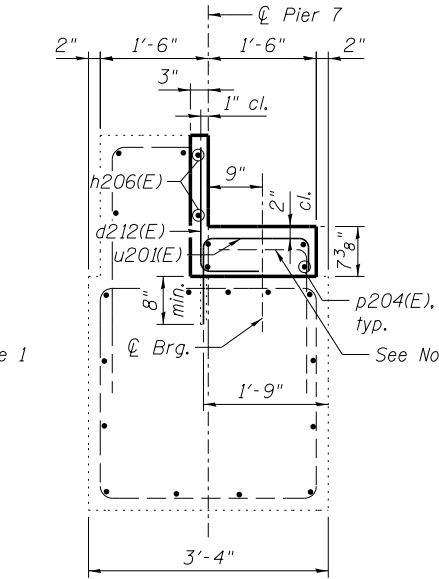
SECTION A-A (EXIST.)



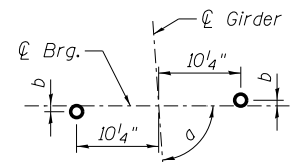
SECTION B-B (EXIST.)



SECTION A-A (PROP.)



SECTION B-B (PROP.)



PIER 7 ANCHOR BOLT DETAIL

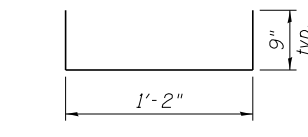
Dimension	Girder A1	Girder A2
a	90°00'00"	87°44'22"
b	0"	3/8"

LEGEND

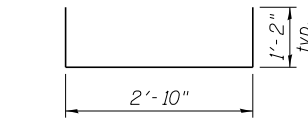
Concrete Removal



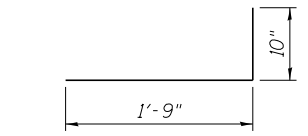
BAR u20(E)



BAR u202(E)



BAR h207(E)



BAR d212(E)

PIER 7 BILL OF MATERIAL

Bar	No.	Size	Length	Shape
d212(E)	7	#5	2'-7"	┌
h206(E)	2	#5	6'-0"	—
p204(E)	4	#5	6'-8"	—
u201(E)	9	#5	3'-0"	┌
Concrete Removal		Cu. Yd.	0.8	
Concrete Structures		Cu. Yd.	0.4	
Reinforcement Bars, Epoxy Coated		Pound	90	
Concrete Sealer		Sq. Ft.	28	

NOTES:

- Existing reinforcement shall be cleaned, bent and incorporated into the new construction. Any reinforcement bars that are damaged during concrete removal operations shall be repaired or replaced using an approved bar splicer or anchorage system. Cost included with Concrete Removal.
- Drill and grout bars according to Article 584 of the Standard Specifications with a minimum embedment of 8". Cost included with Concrete Structures.

PIER 39 BILL OF MATERIAL

Bar	No.	Size	Length	Shape
d213(E)	8	#5	1'-5"	—
h207(E)	4	#5	5'-2"	┌
u202(E)	4	#5	2'-8"	┌
Concrete Structures		Cu. Yd.	0.2	
Reinforcement Bars, Epoxy Coated		Pound	50	
Concrete Sealer		Sq. Ft.	14	

STATE OF ILLINOIS
DEPARTMENT OF TRANSPORTATION

PIER 7 AND PIER 39 MODIFICATION DETAILS
STRUCTURE NO. 016-2457

SHEET NO. SD80 OF SD83 SHEETS

F.A.P. RTE.	SECTION	COUNTY	TOTAL SHEETS	SHEET NO.
372	2013-038B-R	COOK	821	455
CONTRACT NO. 60J16			ILLINOIS FED. AID PROJECT	

benesch
engineers · scientists · planners
Alfred Benesch & Company
205 North Michigan Avenue, Suite 2400
Chicago, Illinois 60601
312-565-0450 Job No. 10093

FILE NAME =	USER NAME =	DESIGNED -	REVISIONS -
0162457.60J16.080.Pier_7.Mod.Details.dgn	jsurber	JLS	
		AJK	
		KMS	
		AJK	

Y:\chicago\100005\100093\Eng_Docs\Phase_1\1\SN_016-2456-2457-1st_Ave_cover_Des_Plaines_River_Valley\Final\0162457_60J16_080_Pier_7_Mod_Details.dgn 5/19/31 PM 8/6/2014