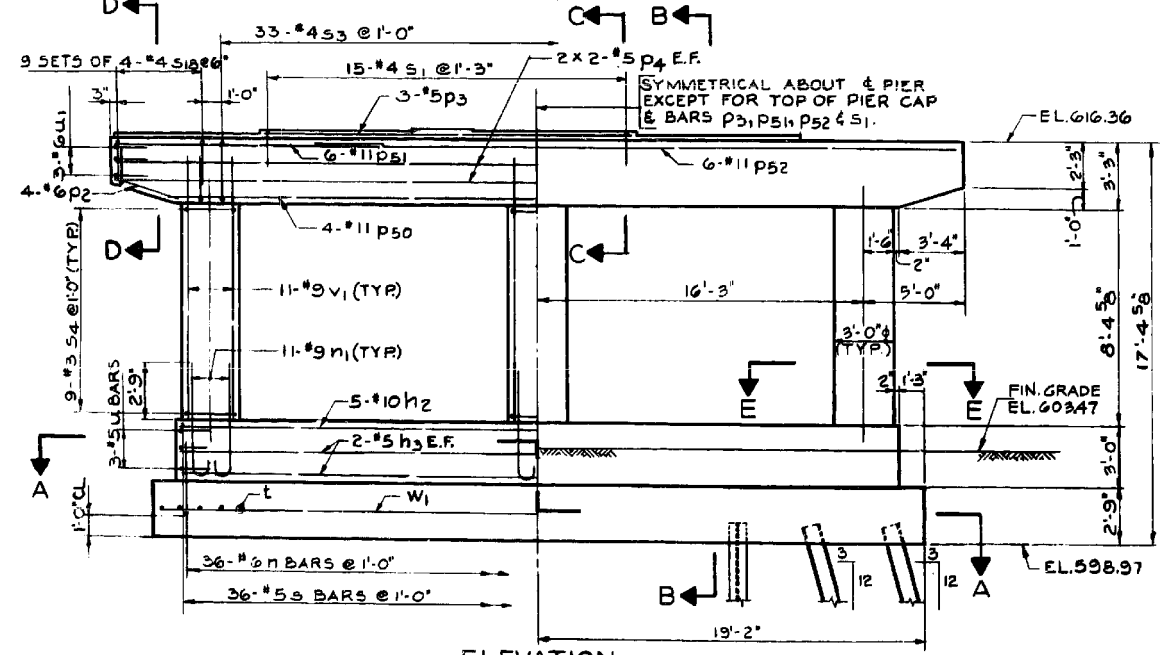
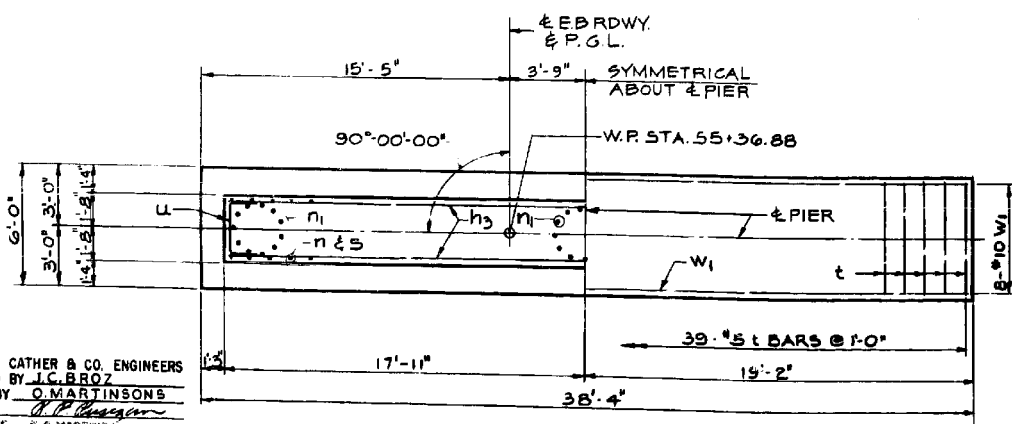


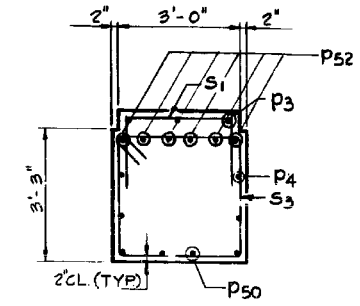
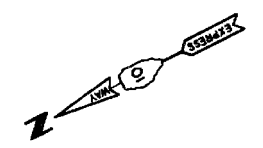
PLAN
SCALE: 1/4"=1'-0"



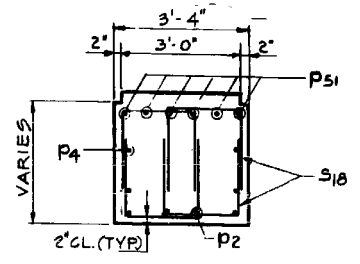
ELEVATION
SCALE: 1/4"=1'-0"



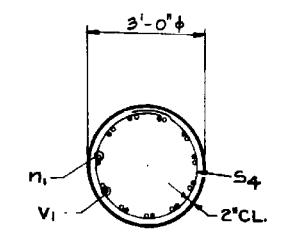
SECTION A-A
SCALE: 1/4"=1'-0"



SECTION C-C
SCALE: 1/2"=1'-0"



SECTION D-D
SCALE: 1/2"=1'-0"

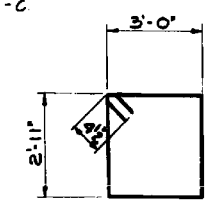


SECTION E-E
SCALE: 1/2"=1'-0"

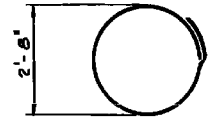
BAR	A	B
n	3'-3"	3'-0"
s	2'-10"	3'-0"
s1	1'-6"	2'-8"
s18	1'-11"	1'-9"
u	1'-6"	2'-11"
u1	1'-6"	2'-11"

BAR n1

BARS n, s, s1, s18, u & u1



BAR S3



BAR S4

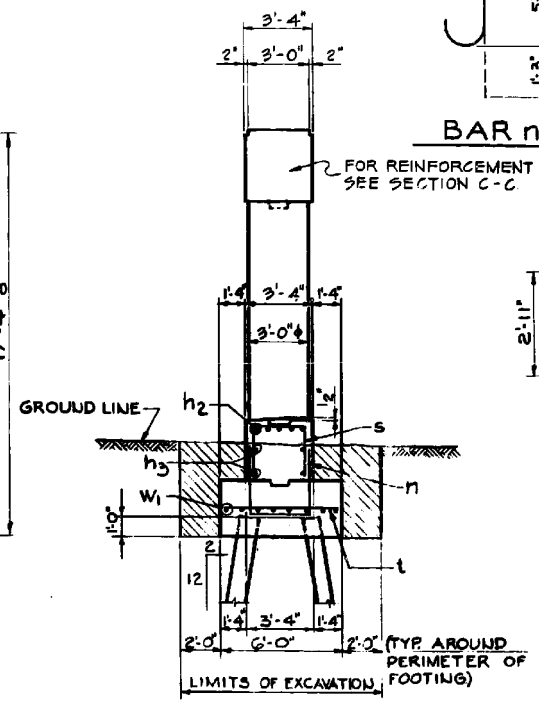
BAR LIST				
BAR NO.	SIZE	LENGTH	SHAPE	
n2	5	10	35'-6"	
h3	4	5	38'-6"	
n	36	6	9'-6"	
n1	33	9	7'-0"	
P2	8	6	3'-6"	
P3	3	5	18'-3"	
P4	8	5	22'-3"	
P50	4	11	35'-6"	
P51	6	11	13'-3"	
P52	6	11	32'-0"	
s	36	5	8'-8"	
s1	15	4	5'-8"	
s3	33	4	12'-7"	
s4	27	3	9'-6"	
s18	72	4	5'-7"	
t	39	5	5'-6"	
u	6	5	5'-11"	
u1	6	6	5'-11"	
v1	33	9	11'-3"	
w1	8	10	38'-0"	

PILE DATA	
PILE TYPE	10BP57
MIN CAPACITY TONS	37
NO. REQUIRED	20 *
EST. LENGTH FEET	32
CUT OFF ELEVATION	599.97

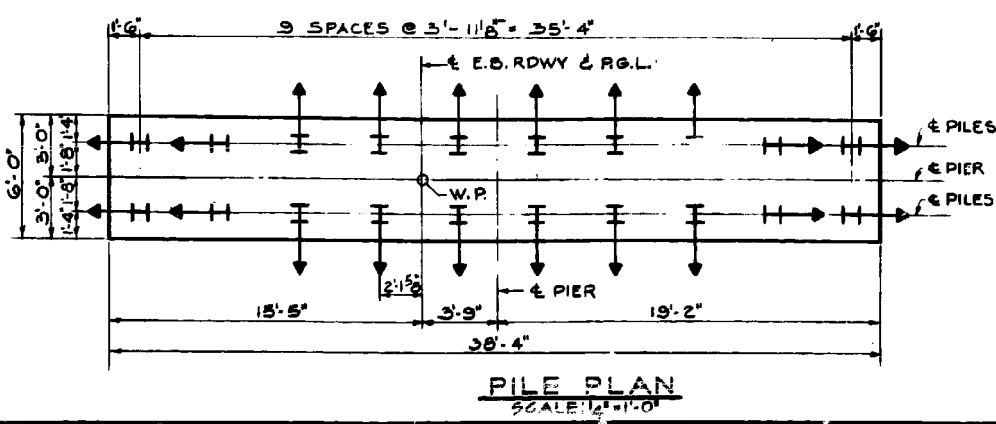
* INCLUDES 2 TEST PILES

NOTES

ALL BAR DIMENSIONS ARE OUT TO OUT. PREFIX ALL BAR MARKS FOR SHIPMENT WITH A NUMBER INDICATING THE PIER WHERE THE BARS WILL BE USED. EXAMPLE: 6 n2 MEANS BARS n2 FOR PIER 6. FOR ANCHOR BOLT PROJECTION SEE SH. 76. POUR STEPS MONOLITHICALLY WITH PIER CAP. SPACE REINFORCEMENT IN CAP TO MISS ANCHOR BOLTS.



SECTION B-B
SCALE: 1/4"=1'-0"



PILE PLAN
SCALE: 1/2"=1'-0"

BILL OF MATERIAL		
ITEM	UNIT	QUANTITY
CLASS A EXCAVATION FOR STRUCTURE	CUYD	71
CLASS X CONCRETE	CUYD	60.8
REINFORCEMENT BARS	POUND	8,602
FURNISHING STEEL PILES 10 BP 57	LINFT	576
TEST PILE STEEL 10 BP 57	EACH	2
DRIVING STEEL PILES	LINFT	576

ILLINOIS DIVISION OF HIGHWAYS
SOUTHWEST EXPRESSWAY
LAWDALE AVE. VIADUCT
PIER 6
SCALE: A.S. 1/2"=1'-0" DATE: 11-25-1960

DE LEUW, CATHAR & CO. ENGINEERS
DESIGNED BY J.C. BROZ
DRAWN BY O. MARTINSONS
CHECKED BY E.S. MARTINS
IN CHARGE E.S. MARTINS
APPROVED L.N. RIAN

benesch
engineers · scientists · planners
Alfred Benesch & Company
205 North Michigan Avenue, Suite 2400
Chicago, Illinois 60601
312-565-0450 Job No. 10093

FILE NAME =	USER NAME = tjenicke	DESIGNED - FSM	REVISED -
0162457.60J16.086.existplan3.dgn		CHECKED - RMM	REVISED -
		DRAWN - FSM	REVISED -
		CHECKED - RMM	REVISED -

STATE OF ILLINOIS
DEPARTMENT OF TRANSPORTATION

EXISTING PLAN INFORMATION (3 OF 26)
STRUCTURE NO. 016-2457
SHEET NO. SDX3 OF SDX26 SHEETS

FOR INFORMATION ONLY

F.A.P. RTE.	SECTION	COUNTY	TOTAL SHEETS	SHEET NO.
372	2013-038B-R	COOK	821	461

CONTRACT NO. 60J16
ILLINOIS FED. AID PROJECT