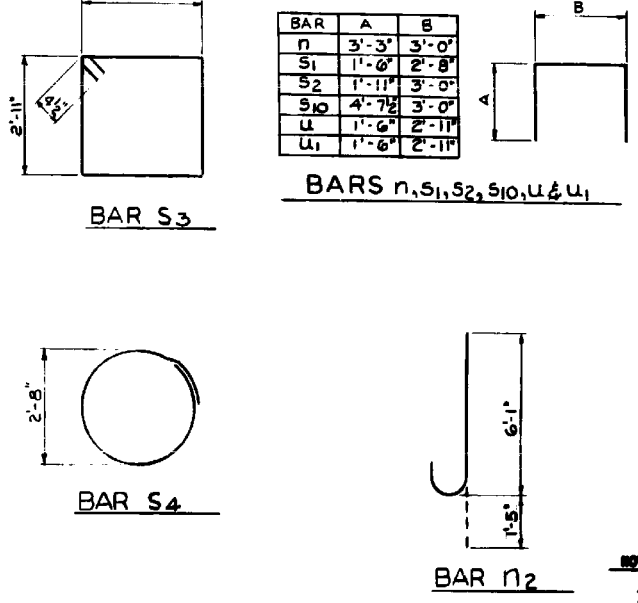
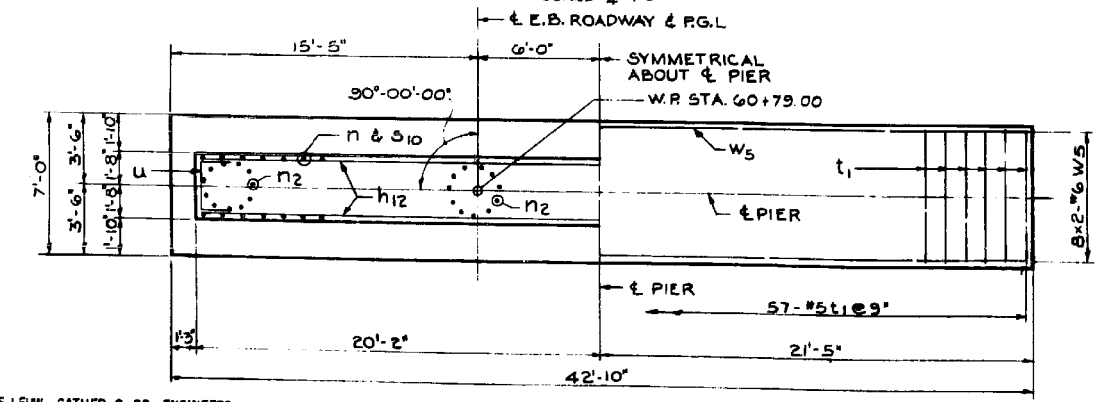
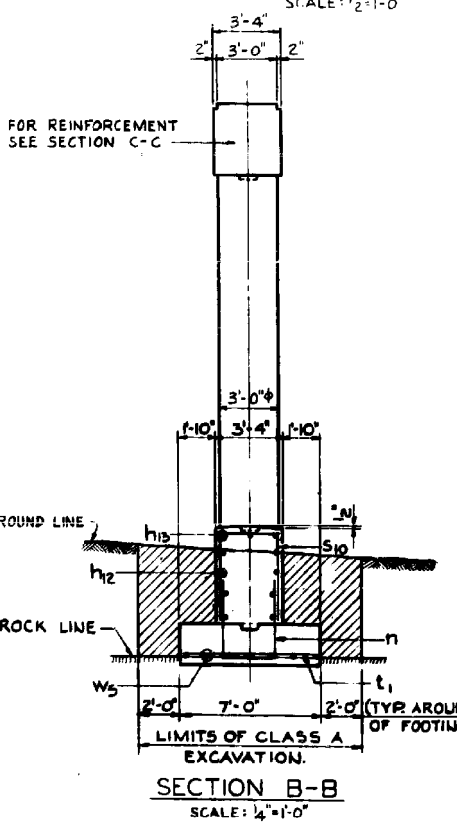
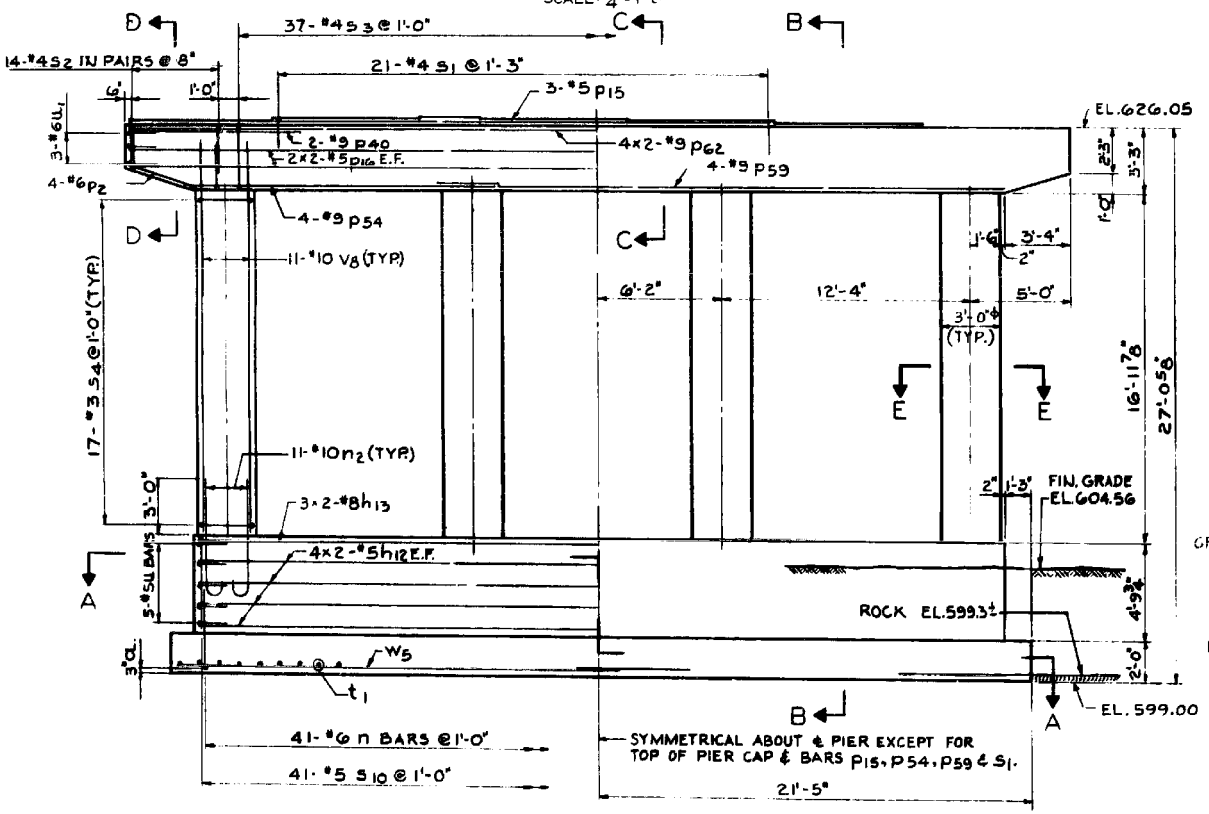


BAR NO.	SIZE	LENGTH	SHAPE
n12	16	5	20'-9"
n15	6	8	21'-0"
n	41	6	9'-6"
n2	44	10	7'-0"
p2	8	6	3'-0"
p15	3	5	24'-9"
p16	8	5	24'-0"
p40	4	9	6'-6"
p54	4	9	15'-0"
p59	4	9	28'-0"
p62	8	9	24'-8"
s1	21	4	5'-8"
s2	26	4	6'-10"
s10	37	4	12'-7"
u	68	3	8'-0"
u1	41	5	12'-3"
t1	57	5	2'-2"
u	10	5	5'-11"
u1	6	6	5'-11"
v8	44	10	19'-9"
w5	16	6	22'-0"



BAR	A	B
n	3'-3"	3'-0"
s1	1'-0"	2'-8"
s2	1'-11"	3'-0"
s10	4'-7 1/2"	3'-0"
u	1'-6"	2'-11"
u1	1'-6"	2'-11"

NOTES:
ALL BAR DIMENSIONS ARE CUT TO OUT.
PREFIX ALL BAR MARKS FOR SHIPMENT WITH A NUMBER INDICATING THE PIER WHERE THE BARS WILL BE USED.
EXAMPLE: 15n12 MEANS BARS n12 FOR PIER 15. FOR ANCHOR BOLT PROJECTION SEE SH.77. POUR STEPS MONOLITHICALLY WITH PIER CAP.
SPACE REINFORCEMENT IN CAP TO MISS ANCHOR BOLTS.

ACTUAL MAXIMUM TOE PRESSURES:
LOADING GROUP I - 4050 P.S.F.
LOADING GROUP II - 6930 P.S.F.
LOADING GROUP III - 9830 P.S.F.

ITEM	UNIT	QUANTITY
CLASS A EXCAVATION FOR STRUCTURE	CU YD	100
ROCK EXCAVATION FOR STRUCTURE	CU YD	3
CLASS X CONCRETE	CU YD	83.6
REINFORCEMENT BARS	POUND	10,436

ILLINOIS DIVISION OF HIGHWAYS
SOUTHWEST EXPRESSWAY
LAWDALE AVE. VIADUCT
PIER 13
DATE 11-25-1965

FILE NAME =	USER NAME = tjenicke	DESIGNED - FSM	REVISED -
		CHECKED - RMM	REVISED -
		DRAWN - FSM	REVISED -
		CHECKED - RMM	REVISED -
PLOT SCALE =			
PLOT DATE = 12/28/2013			

F.A.P. RTE.	SECTION	COUNTY	TOTAL SHEETS	SHEET NO.
372	2013-038B-R	COOK	821	468
				CONTRACT NO. 60J16
				ILLINOIS FED. AID PROJECT

X:\100005\10093\Eng_Docs_Phase_1\11\SN_016_2457_1st_Ave_cover_Des_Plaines_River_Volley\Final\2457_Final\0162457-60J16_093_existsplan10.dgn 2:41:54 PM 6/23/2014