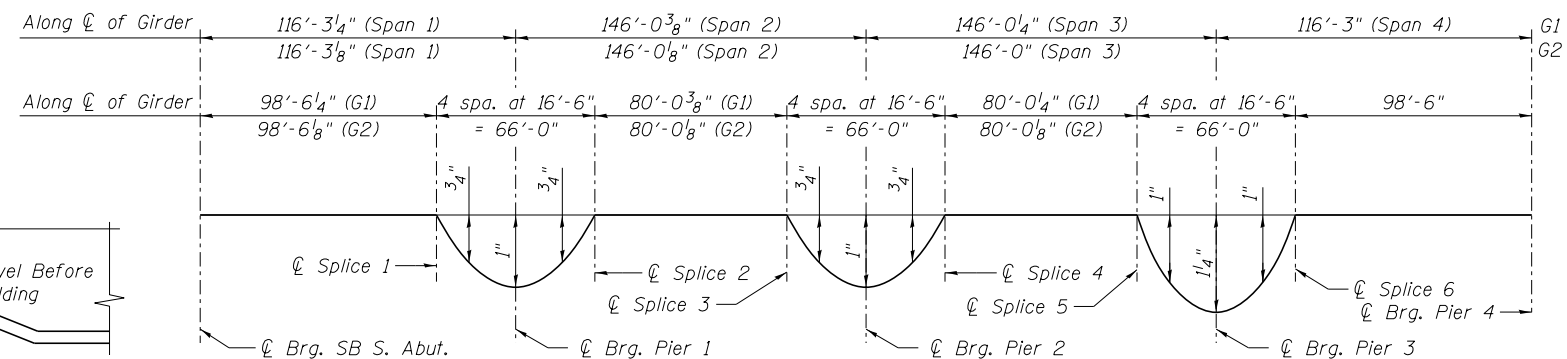


GIRDER DIMENSIONS

Girder No.	L1	L2	L3	L4	L5	L6	L7	L8	L9
G1	83'-3 1/4"	83'-3"	80'-0 3/8"	80'-0 1/4"	3'-4 1/4"	3'-4"	3'-4 3/8"	3'-4 1/4"	524'-6 7/8"
G2	83'-3 3/8"	83'-3"	80'-0 1/8"	80'-0"	3'-4 1/2"	3'-4"	3'-4 1/8"	3'-4 1/8"	524'-6 1/4"
Existing G3-G7	83'-3"	83'-3"	80'-0"	80'-0"	3'-4"	3'-4"	3'-4"	3'-4"	524'-6"

All dimensions along the C of the girder



GIRDER 1 & 2 CAMBER DIAGRAM

****TOP OF WEB ELEVATIONS**

Location	Girder 1	Girder 2
CL Brg. S. Abut.	618.70	618.78
FS #1	618.71	618.79
CL Brg. Pier 1	618.66	618.75
FS #2	618.77	618.88
FS #3	618.95	619.07
CL Brg. Pier 2	618.98	619.11
FS #4	619.17	619.32
FS #5	619.53	619.69
CL Brg. Pier 3	619.63	619.79
FS #6	619.94	620.10
CL Brg. Pier 4S	620.51	620.67

**For Fabrication only.

NOTES:

- Load carrying components designated "NTR" shall conform to the Impact Testing Requirement, Zone 2.
- All flange plates and web plates shall be AASHTO M270 Grade 50 steel.



Alfred Benesch & Company
205 North Michigan Avenue, Suite 2400
Chicago, Illinois 60601
312-565-0450 Job No. 10093

FILE NAME = 0160483.60J16.023.Girder_Details.dgn

USER NAME = jsurber
DESIGNED - DTS
CHECKED - AAY/KMP
DRAWN - DTS
PLOT SCALE =
PLOT DATE = 12/20/2013

DESIGNED - DTS
CHECKED - KMP
REVISOR -
REVISOR -
REVISOR -
REVISOR -

STATE OF ILLINOIS
DEPARTMENT OF TRANSPORTATION

STEEL PLATE GIRDER ELEVATION & CAMBER DIAGRAM
STRUCTURE NO. 016-0483

SHEET NO. SE23 OF SE46 SHEETS

F.A.P. RTE.	SECTION	COUNTY	TOTAL SHEETS	SHEET NO.
372	2013-038B-R	COOK	821	507
CONTRACT NO. 60J16			ILLINOIS FED. AID PROJECT	