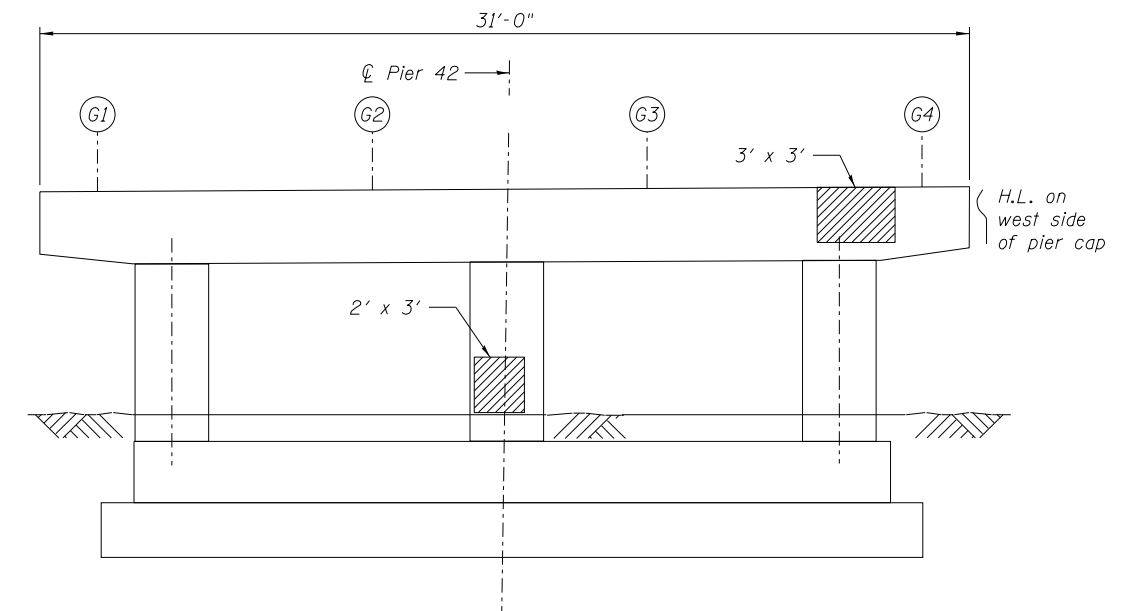
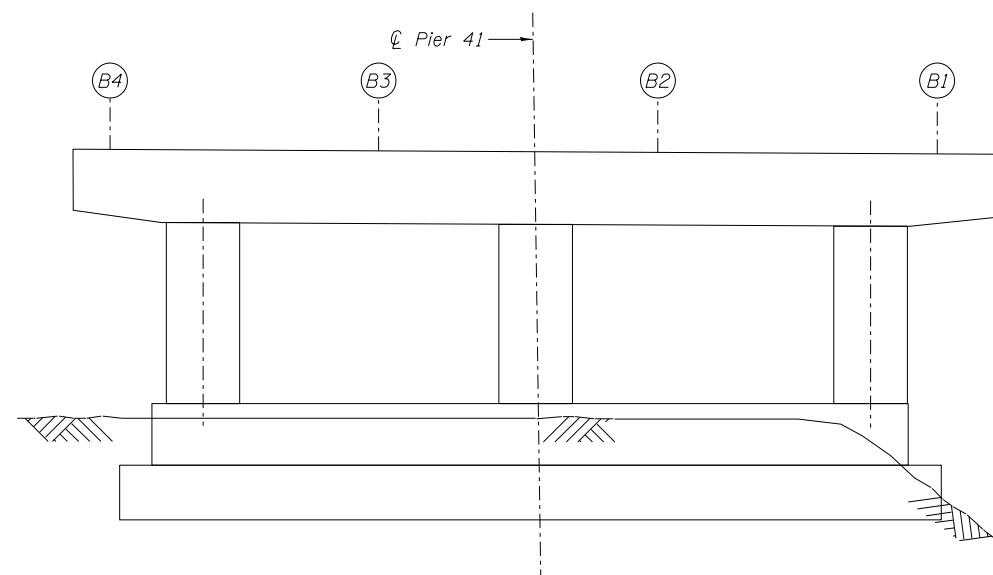


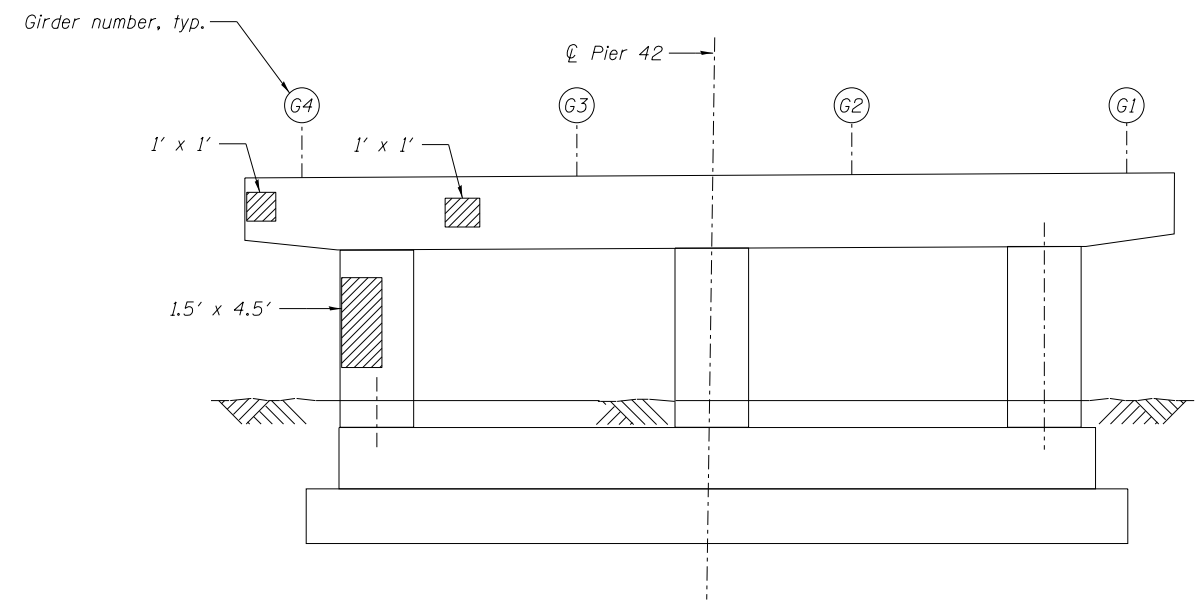
PIER 41
Looking East



PIER 42
Looking East



PIER 41
Looking West



PIER 42
Looking West

LEGEND

Structural Repair of Concrete
(Depth Equal to or Less Than 5 Inches)

Hairline Crack (not to be repaired)

NOTE:

Actual quantities of repairs shall be approved by the Engineer.

BILL OF MATERIAL

ITEM	UNIT	TOTAL
Structural Repair of Concrete (Depth Equal to or Less Than 5 Inches)	Sq. Ft.	81

benesch
engineers · scientists · planners
Alfred Benesch & Company
205 North Michigan Avenue, Suite 2400
Chicago, Illinois 60601
312-565-0450 Job No. 10093

FILE NAME =	USER NAME = tjenicke	DESIGNED - JLS	REVISED -
		CHECKED - AJK	REVISED -
		DRAWN - FSM	REVISED -
		CHECKED - AJK	REVISED -
0161026.60J16.014.pierrepair.41.42.dgn	PLOT SCALE =		
	PLOT DATE = 12/20/2013		

STATE OF ILLINOIS
DEPARTMENT OF TRANSPORTATION

PIERS 41 AND 42 CONCRETE REPAIR DETAILS
STRUCTURE NO. 016-1026

SHEET NO. SF14 OF SF17 SHEETS

F.A.P. RTE.	SECTION	COUNTY	TOTAL SHEETS	SHEET NO.
372	2013-038B-R	COOK	821	557
CONTRACT NO. 60J16				
ILLINOIS FED. AID PROJECT				