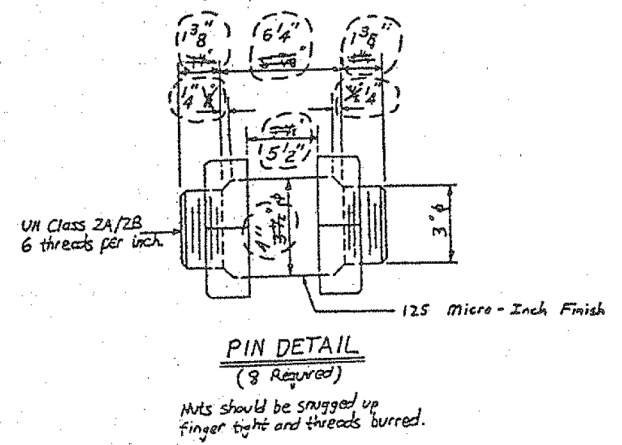
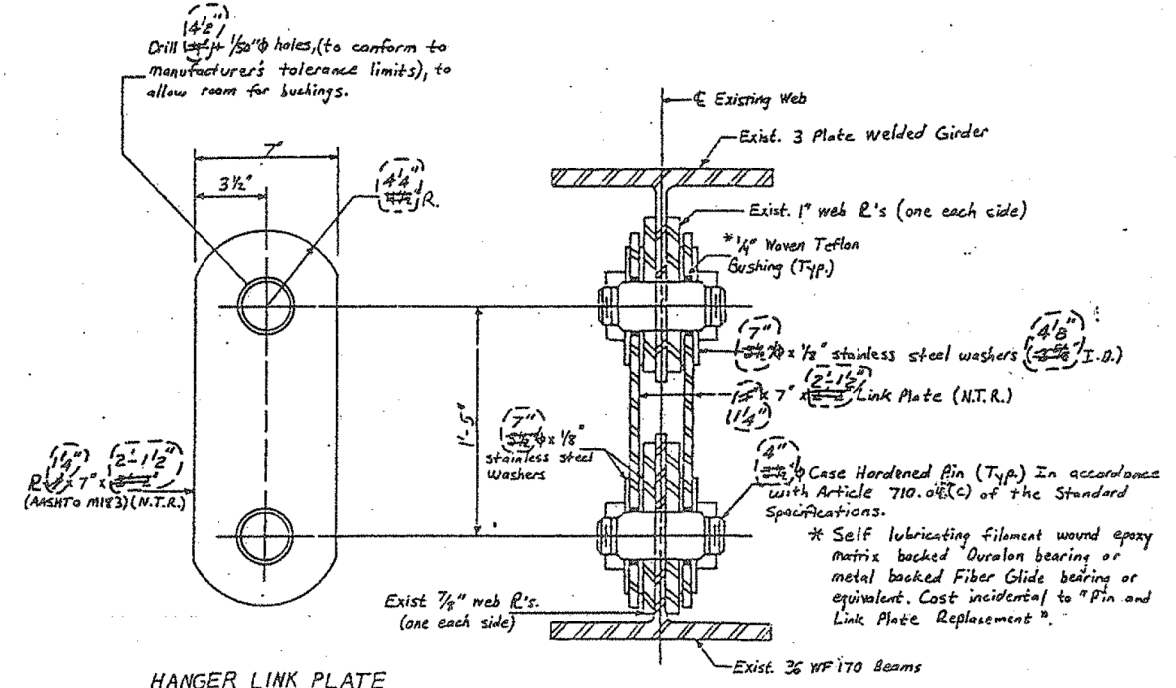
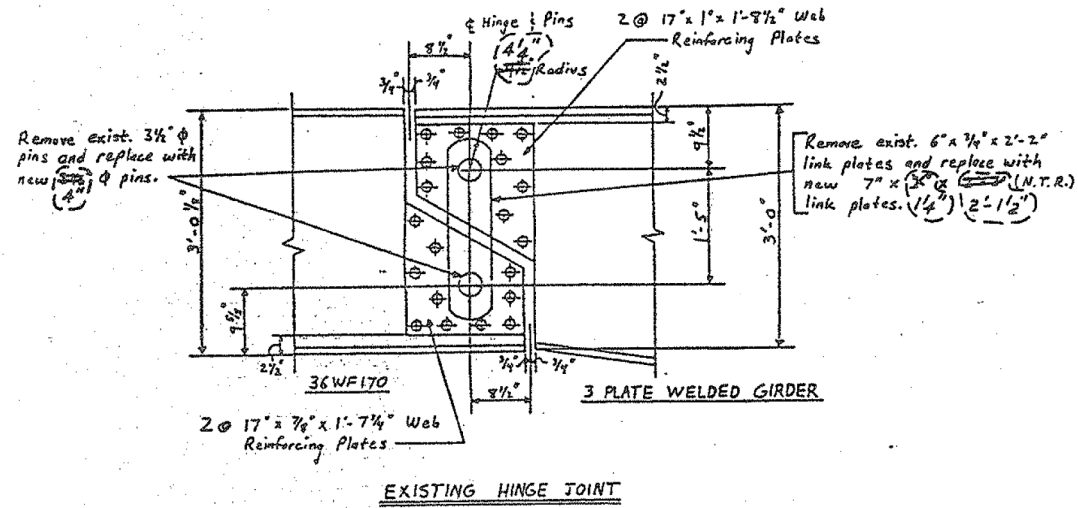


SECTION	COUNTY	TOTAL SHEETS	SHEET NO.
372	COOK	51	44

Sht. No. 3 of 6



NOTES: Provide support for beams at each pin and link plate replacement location; to be paid for as "Jack and Remove Existing Pin & Link". See Special Provisions.

The link plates shall conform to the supplemental requirements for Notch Toughness, Zone 2 (N.T.R.)

The Contractor shall protect the pins from corrosion until installation. The pins shall be clean and free of all foreign material before installation.

Provide $\frac{1}{8}" \times 3\frac{1}{2}"$ o.d. $\times 3\frac{1}{8}"$ I.D. washers for placement under pin nuts if required to prevent clamping the material when nuts are tightened against pin body.

The holes in the existing webs and shim plates shall be In-Line bored to $4\frac{1}{2}" \pm \frac{1}{50}"$ for new $4\frac{1}{2}"$ Pins.

FOR INFORMATION ONLY

(AS REVISED 6-10-33 C.H.W.)

ILLINOIS DEPARTMENT OF TRANSPORTATION

PIN AND LINK DETAILS

SN: 016-1026-1026

SCALE: VERT. NONE

DRAWN BY: CW

CHECKED BY:

REVISIONS	
NAME	DATE

benesch
engineers · scientists · planners

Alfred Benesch & Company
205 North Michigan Avenue, Suite 2400
Chicago, Illinois 60601
312-565-0450 Job No. 10093

FILE NAME =	USER NAME = tjenicke	DESIGNED - FSM	REVISED -
0161026_60J16_X25.existplan25.dgn	PLOT SCALE =	CHECKED - RMM	REVISED -
	PLOT DATE = 12/20/2013	DRAWN - FSM	REVISED -
		CHECKED - RMM	REVISED -

STATE OF ILLINOIS
DEPARTMENT OF TRANSPORTATION

EXISTING PLANS (1994) - PIN & LINK REPAIRS (2 OF 3)
STRUCTURE NO. 016-1026

FOR INFORMATION ONLY

F.A.P. RTE.	SECTION	COUNTY	TOTAL SHEETS	SHEET NO.
372	2013-038B-R	COOK	821	585
CONTRACT NO. 60J16				
ILLINOIS FED. AID PROJECT				

SHEET NO. SFX25 OF SFX30 SHEETS

X:\100005\10093\Eng_Docs_Phase_III\SN_016_1026_SB_1st_Ave_Ramp_cover_Des_Plaines_River_Final\1026\0161026_60J16_X25.existplan25.dgn 2:47:37 PM 6/23/2014