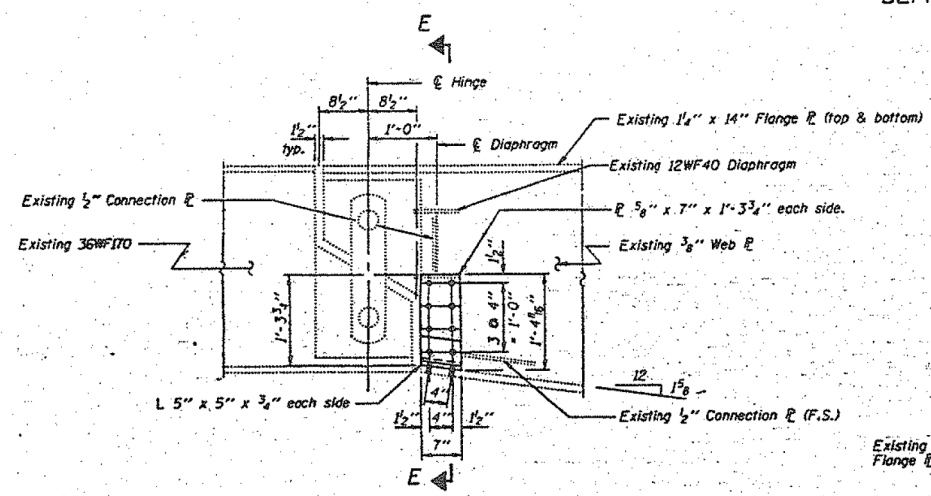


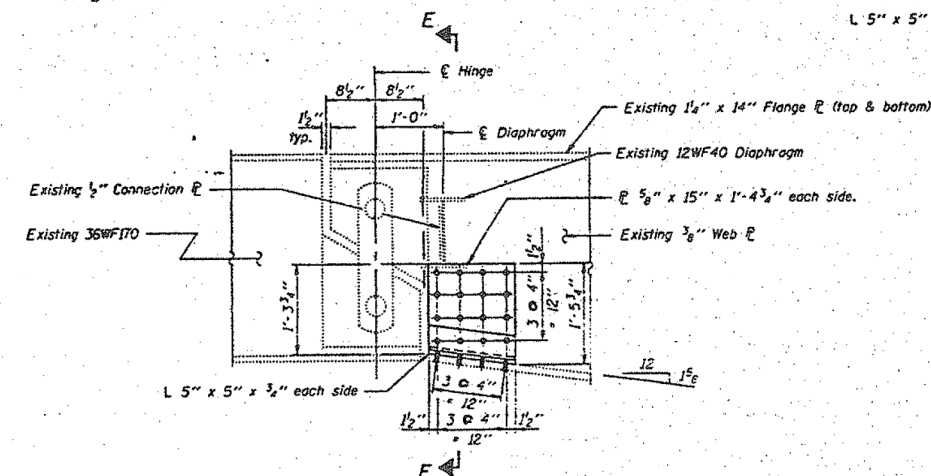
STATE OF ILLINOIS
DEPARTMENT OF TRANSPORTATION

| | | | | |
|-------------|---------|------|-----|-----------|
| PROJECT NO. | SECTION | DATE | NO. | SHEET NO. |
| FAI 55 | COOK | 51 | 45 | 6 |
| SHEETS | | | | 6 |

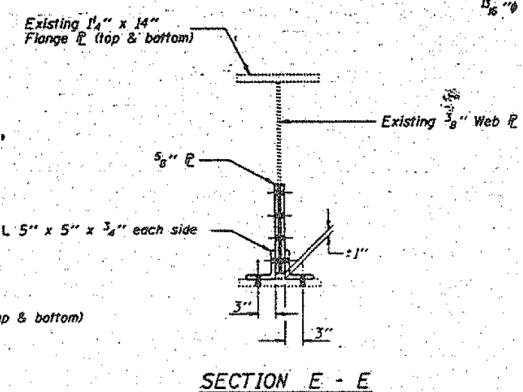


VIEW C - C
(Girders G2 & G4 only)

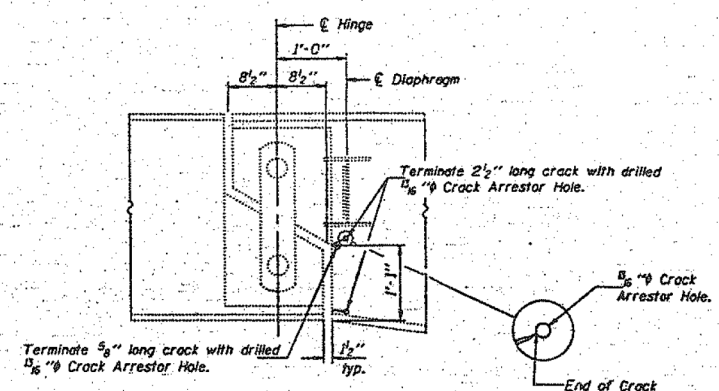
Note:
Field drill holes in existing plate girder web and flange using repair plates and angles as a template. All holes shall be 5/8\"/>



VIEW D - D
(Girders G1 & G3 only)

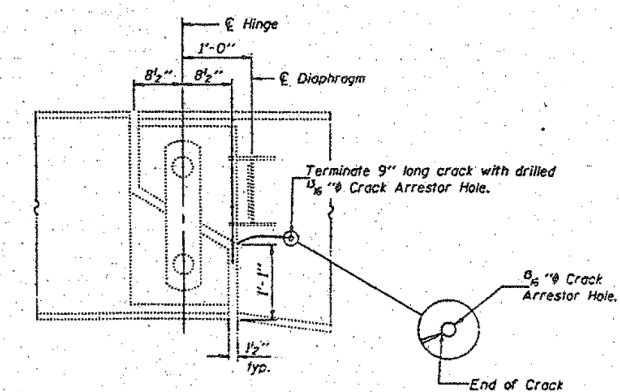


SECTION E - E



CRACK ARRESTOR HOLE DETAIL
(Girder G3 only)

Notes: Locate crack tips using liquid dye penetrant or magnetic particle testing. After crack arrester holes have been drilled at crack tips, dye penetrant or magnetic particle testing shall be used to verify that the drilled holes have captured the crack tips. Cost incidental to "Structural Steel Repair".



CRACK ARRESTOR HOLE DETAIL
(Girder G1 only)

| | | | |
|----------|-----|----------|----------------|
| DESIGNED | CHW | APPROVED | April 23 1993 |
| CHECKED | BRT | EXAMINED | Josel E. Adams |
| DRAWN | KC | PASSED | |
| CHECKED | CHW | APPROVED | |

FOR INFORMATION ONLY

BRIDGE REPAIRS
FAI RT. 55 SEC. 0707-614B
RAMP E OVER DESPLAINES RIVER
COOK COUNTY
STR. NO. 016-1026

| | | | |
|-----------------------------------|------------------------|----------------|-----------|
| FILE NAME = | USER NAME = tjenicke | DESIGNED - FSM | REVISIONS |
| 0161026_60J16_X26_existplan26.dgn | | CHECKED - RMM | 1 - |
| | PLOT SCALE = | DRAWN - FSM | 2 - |
| | PLOT DATE = 12/20/2013 | CHECKED - RMM | 3 - |

| | | | | |
|---------------------------|-------------|--------|--------------|-----------|
| FOR INFORMATION ONLY | | | | |
| F.A.P. RTE. | SECTION | COUNTY | TOTAL SHEETS | SHEET NO. |
| 372 | 2013-038B-R | COOK | 821 | 586 |
| CONTRACT NO. 60J16 | | | | |
| ILLINOIS FED. AID PROJECT | | | | |