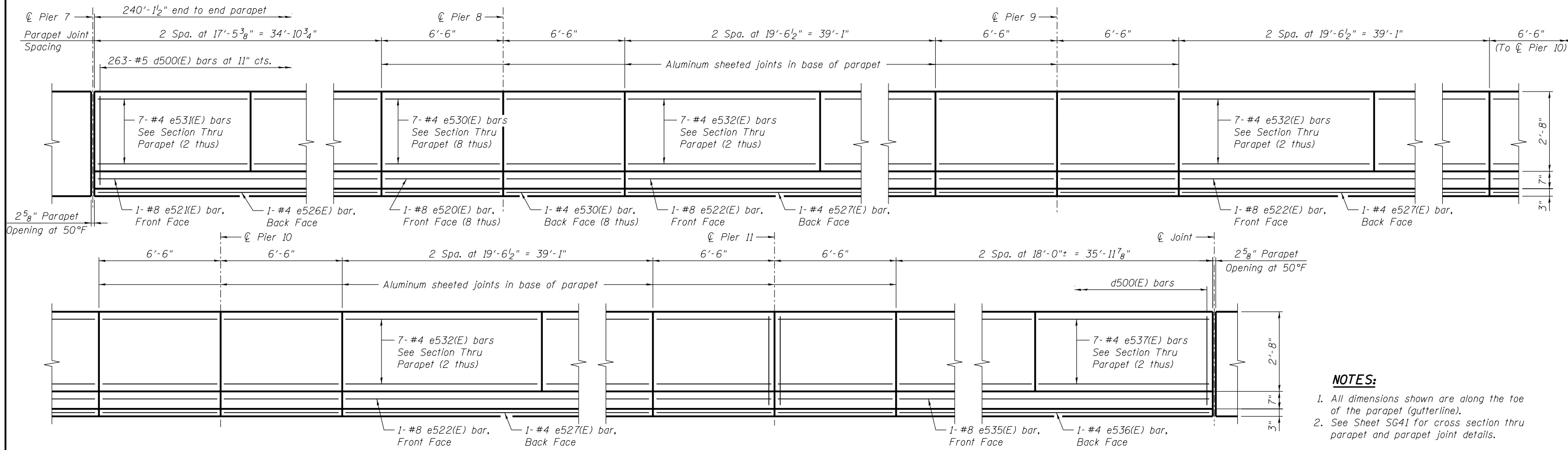


INSIDE ELEVATION OF WEST PARAPET



INSIDE ELEVATION OF EAST PARAPET
(Reflected View Shown)

- NOTES:**
1. All dimensions shown are along the toe of the parapet (gutterline).
 2. See Sheet SG41 for cross section thru parapet and parapet joint details.

benesch
engineers · scientists · planners

Alfred Benesch & Company
205 North Michigan Avenue, Suite 2400
Chicago, Illinois 60601
312-565-0450 Job No. 10093

FILE NAME =	USER NAME = jsurber	DESIGNED - JLS	REVISED -
0160486.60J16.040.Parapet.Dtls.Spans8.12	PLOT DATE = 8/6/2014	CHECKED - MFH	REVISED -
		DRAWN - RMG	REVISED -
		CHECKED - MFH	REVISED -

STATE OF ILLINOIS
DEPARTMENT OF TRANSPORTATION

PARAPET DETAILS SPANS 8 THRU 12
STRUCTURE NO. 016-0486

SHEET NO. SG40 OF SG100 SHEETS

F.A.P. RTE.	SECTION	COUNTY	TOTAL SHEETS	SHEET NO.
373	2013-038B-R	COOK	821	630
CONTRACT NO.			60J16	
ILLINOIS FED. AID PROJECT				

Y:\chicago\100005\10093\Eng_Docs\Phase_11\SN_016_0486_0487_1st_Ave.cover_Canal\Final\Final_0486_016_040_Parapet.Dtls.Spans8.12.dgn 7:30:04 PM 8/6/2014