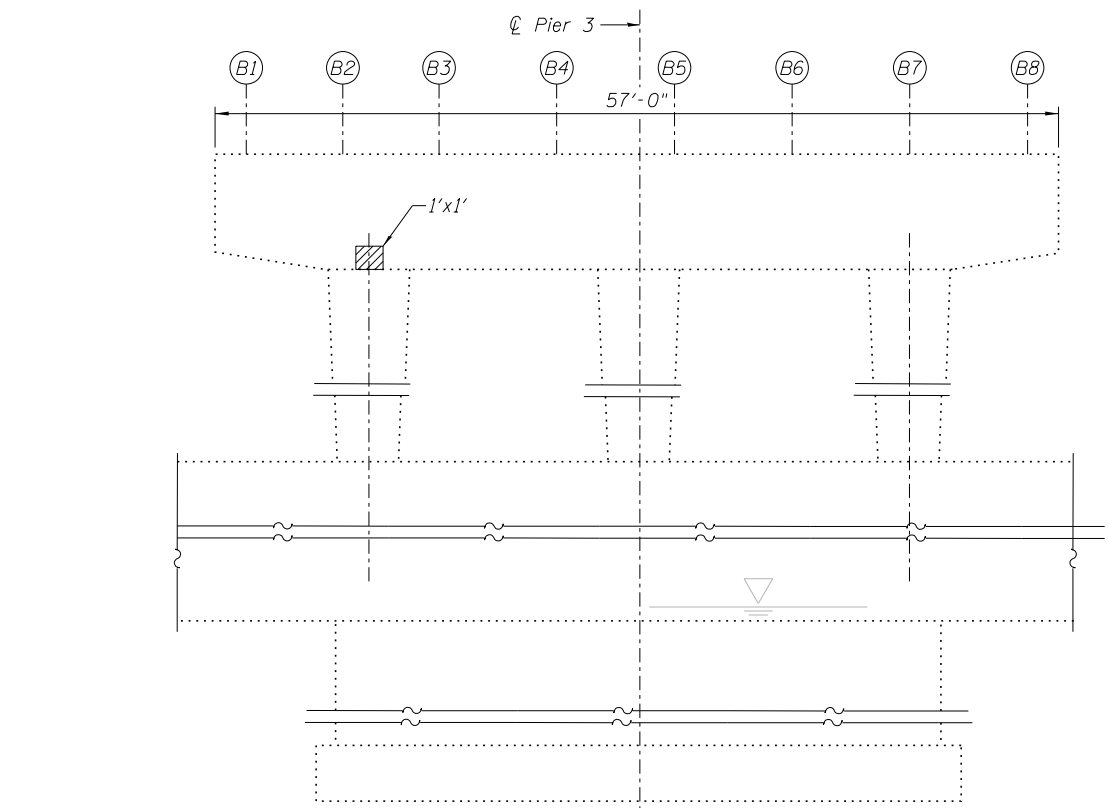
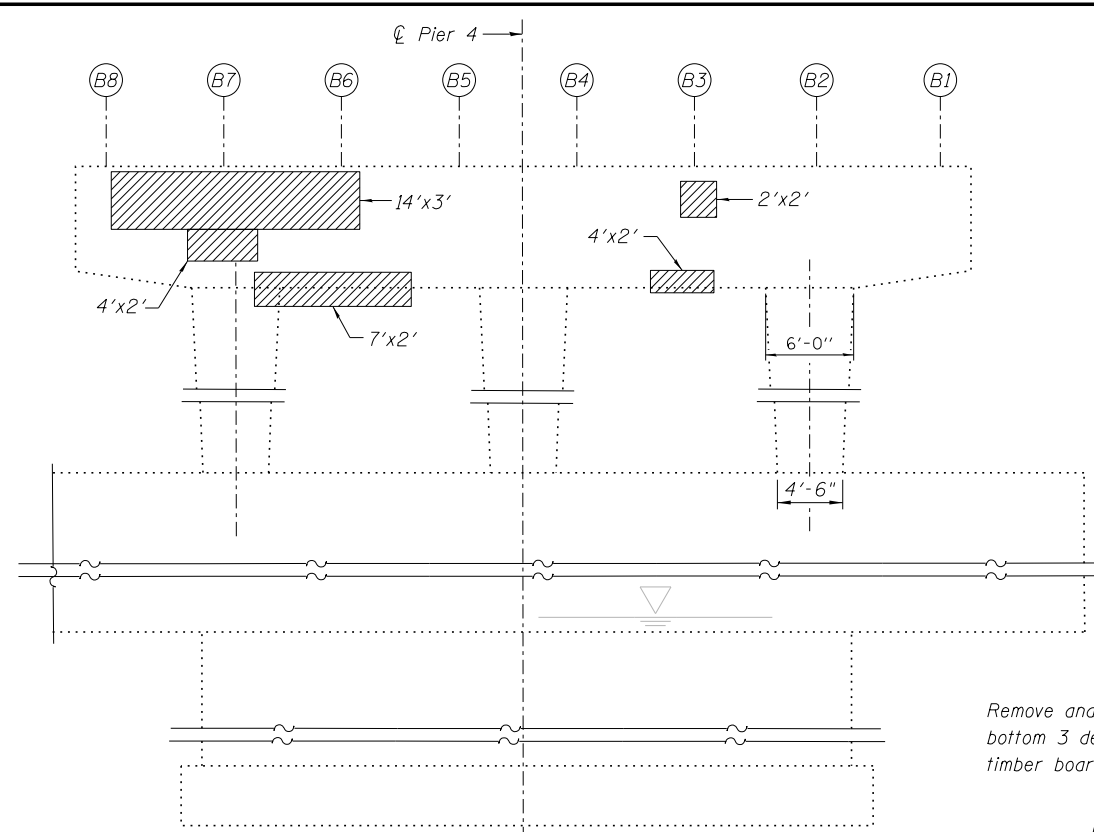


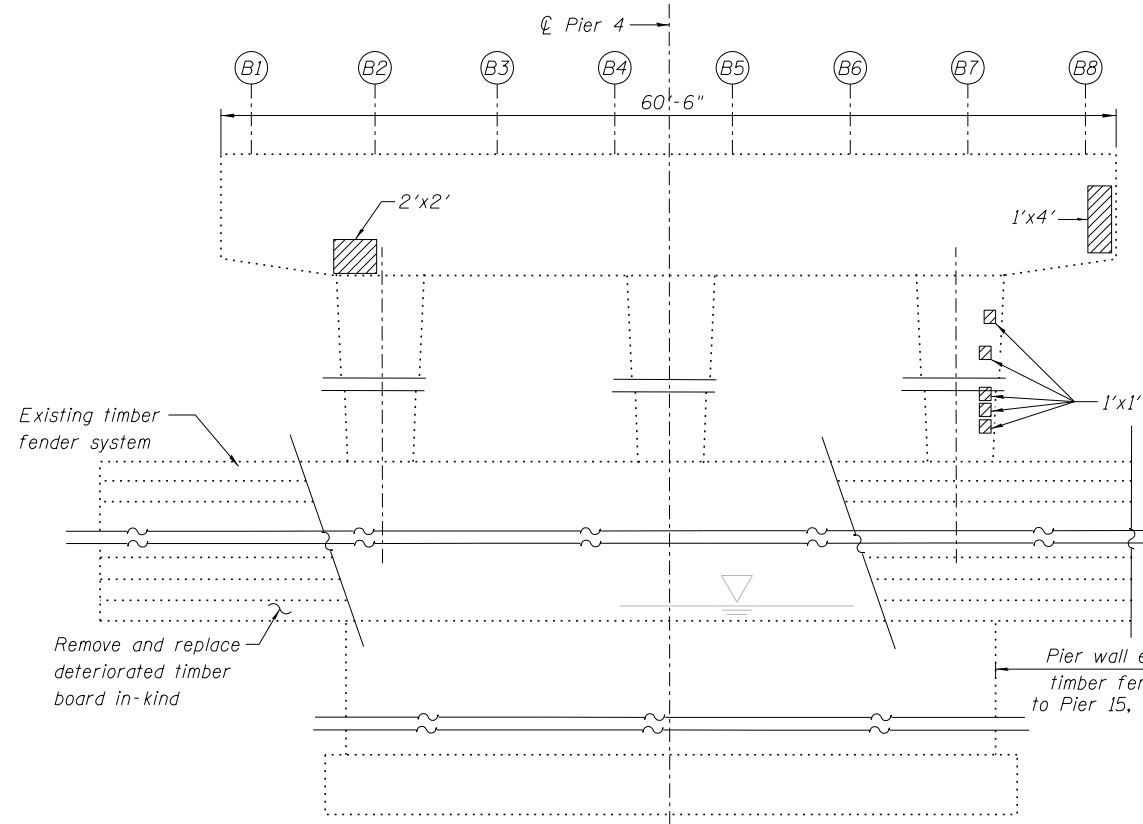
PIER 3
Looking East



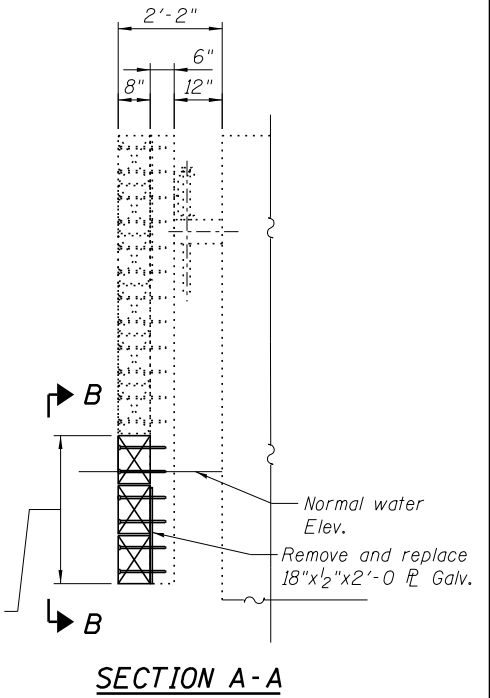
PIER 3
Looking West



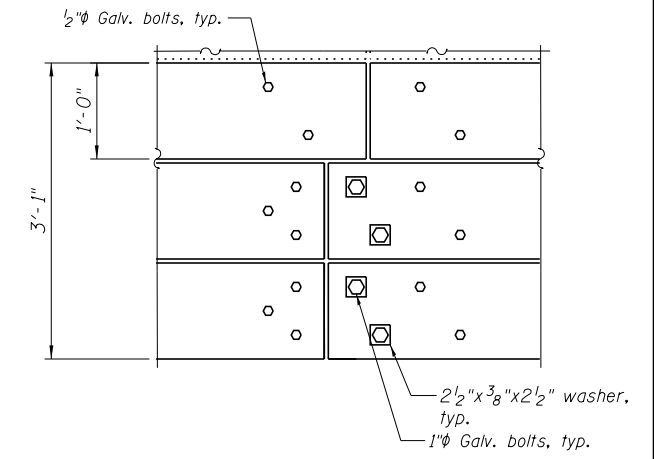
PIER 4
Looking East



PIER 4
Looking West



SECTION A-A



VIEW B-B

ITEM	UNIT	TOTAL
Structural Repair of Concrete (Depth equal to or less than 5 inches)	Sq. Ft.	114
Fender System	L. Sum	1.0

LEGEND

Structural Repair of Concrete (Depth equal to or less than 5 inches)

NOTES:

- Actual quantities of repairs shall be approved by the Engineer.
- Removal and replacement of timber boards shall be completed per the Special Provision for "Fender System".

benesch
engineers · scientists · planners

Alfred Benesch & Company
205 North Michigan Avenue, Suite 2400
Chicago, Illinois 60601
312-565-0450 Job No. 10093

FILE NAME = 0160486.60J16.069.pierrepair3-4.dgn	USER NAME = jsurber	DESIGNED - FSM	REVISED -
		CHECKED - RMM	REVISED -
	PLOT SCALE =	DRAWN - FSM	REVISED -
	PLOT DATE = 8/6/2014	CHECKED - RMM	REVISED -

STATE OF ILLINOIS
DEPARTMENT OF TRANSPORTATION

PIERS 3 AND 4 REPAIR DETAILS
STRUCTURE NO. 016-0486

SHEET NO. SG69 OF SG100 SHEETS

F.A.P. R.E. 373	SECTION 2013-038B-R	COUNTY COOK	TOTAL SHEETS 821	SHEET NO. 659
CONTRACT NO. 60J16			ILLINOIS FED. AID PROJECT	

Y:\chicago\100005\100093\Eng_Docs_Phase_1\1\SN_016_0486_0487_1st_Ave_over_Canal\Final\Final_0486\0160486_60J16_069.pierrepair3-4.dgn 7:30:57 PM 8/6/2014