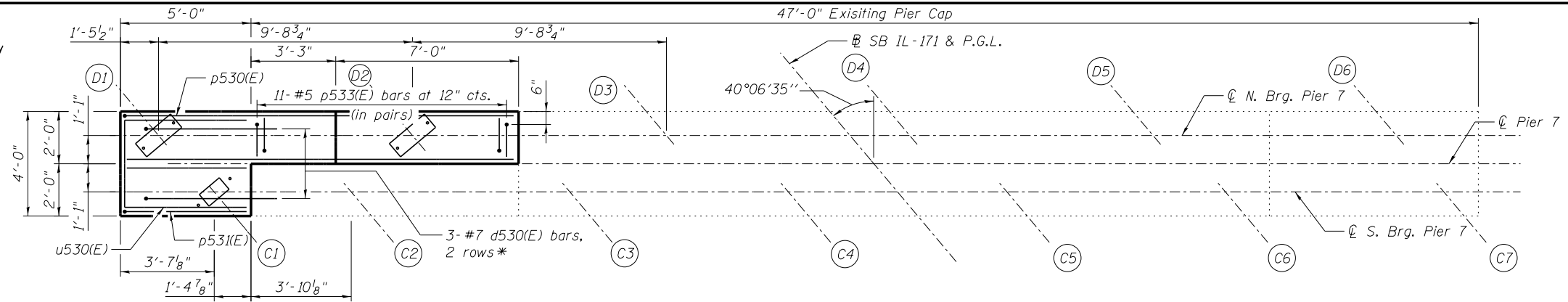
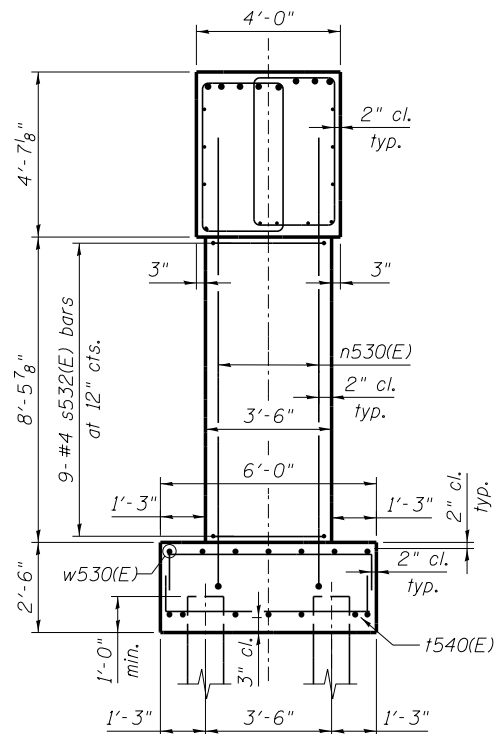


**ANCHOR BOLT LAYOUT
GIRDERS D1 & D2**

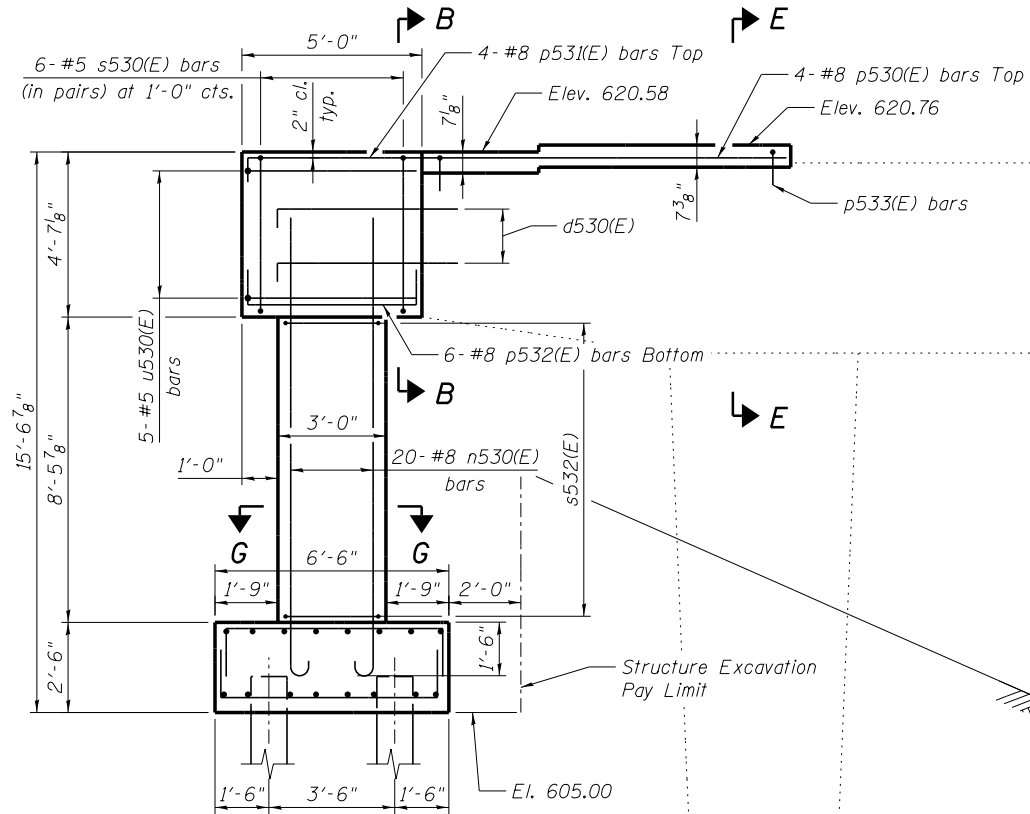
**ANCHOR BOLT LAYOUT
GIRDER C1**



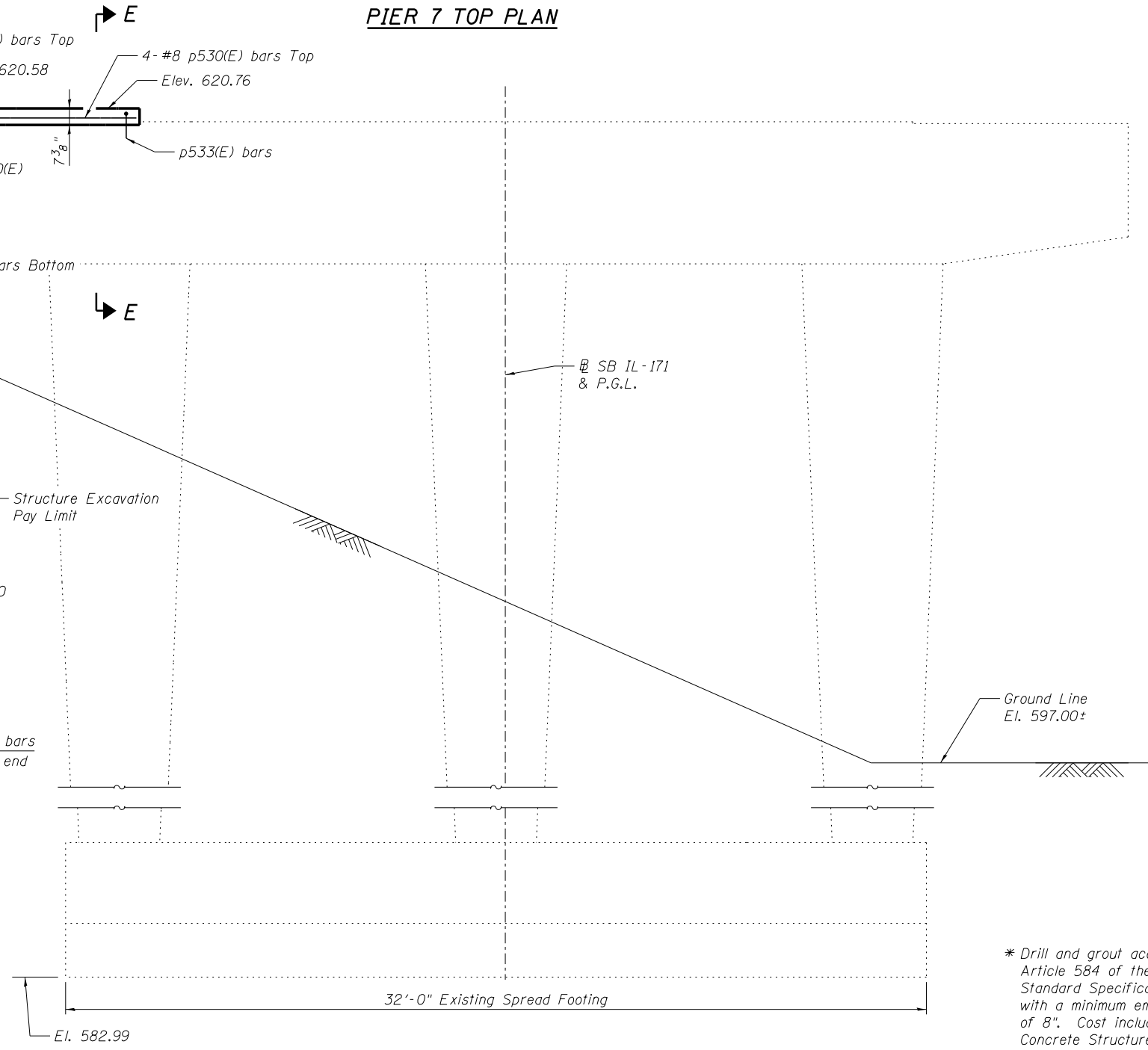
PIER 7 TOP PLAN



END VIEW



PIER 7 FOOTING PLAN



**PIER 7 ELEVATION
(Looking Upstation)**

PILE DATA

Type: HP12x53 with Pile Shoes
 Nominal Required Bearing: 394 kips
 Allowable Resistance Available: 131 kips
 Est. Length: 45 ft
 No. Production Piles: 3
 No. Test Piles: 1

NOTES:

1. Four steps monolithically with cap.
2. See Sheet SG87 for Section B-B, Section E-E, and Section G-G.
3. See Sheet SG6 for pile layout.
4. See Sheet SG88 for Bar Bends and Bill of Material.

* Drill and grout according to Article 584 of the Standard Specifications with a minimum embedment of 8". Cost included with Concrete Structures.



FILE NAME =	USER NAME = jsurber	DESIGNED - AWH	REVISED -
		CHECKED - AJK	REVISED -
		DRAWN - KMS	REVISED -
		CHECKED - AJK	REVISED -

**STATE OF ILLINOIS
DEPARTMENT OF TRANSPORTATION**

**PIER 7 WIDENING DETAILS
STRUCTURE NO. 016-0486**

F.A.P. RTE.	SECTION	COUNTY	TOTAL SHEETS	SHEET NO.
373	2013-038B-R	COOK	821	674
CONTRACT NO.			60J16	

SHEET NO. SG84 OF SG100 SHEETS

ILLINOIS FED. AID PROJECT

Y:\chicago\100005\100093\Eng_Docs\Phase_1\1\SN_016_0486_0487_1st_Ave_over_Canal\Final\Final_0486\0160486_60J16_084_Pier_7_Widening_Details.dgn 8/6/2014 7:31:20 PM