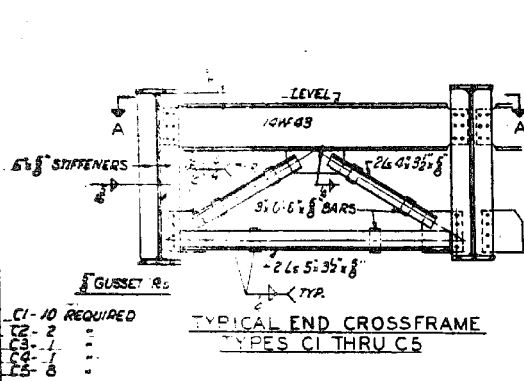
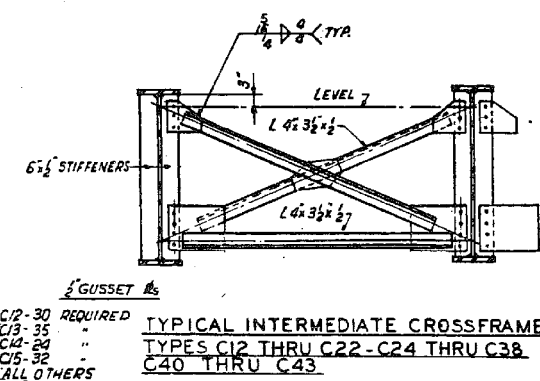


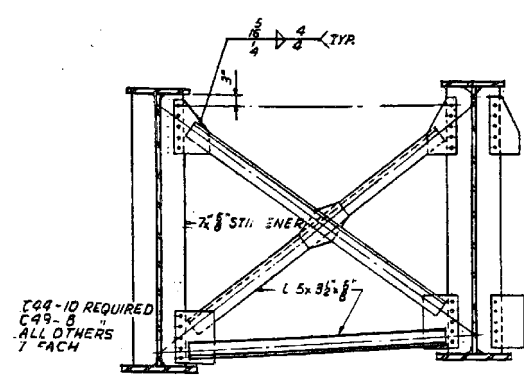
F.A. RT. 133	SECTION 0707-626B	EXPRESSWAY	TOTAL SHEETS 95	SHEET NO. 64
TO STA.			FED. AID PROJECT	



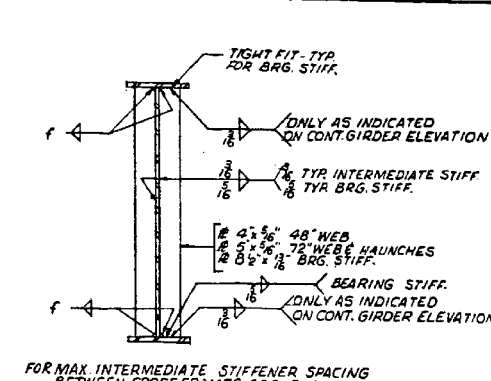
C1-10 REQUIRED
C2-2
C3-1
C4-1
C5-8



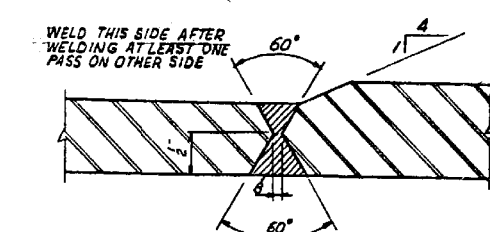
C12-30 REQUIRED
C13-35
C14-24
C15-32
ALL OTHERS 1 EACH



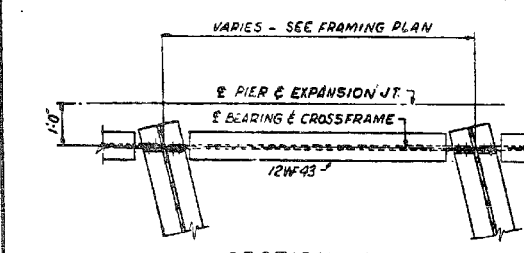
C44-10 REQUIRED
C49-8
ALL OTHERS 7 EACH



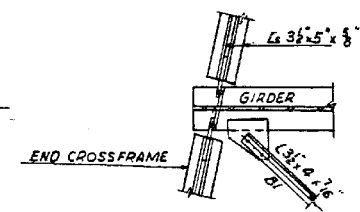
FOR MAX. INTERMEDIATE STIFFENER SPACING BETWEEN CROSSFRAMES SEE FRAMING PLANS



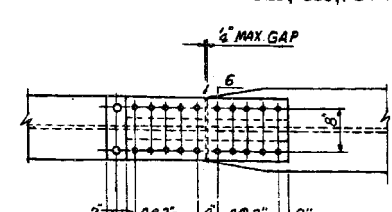
FLANGE SHOP WELD



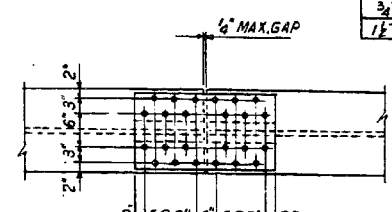
SECTION A-A



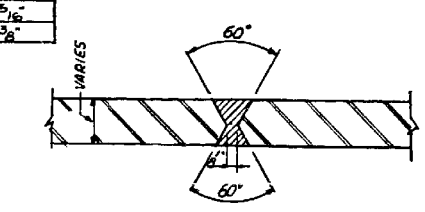
DETAIL A



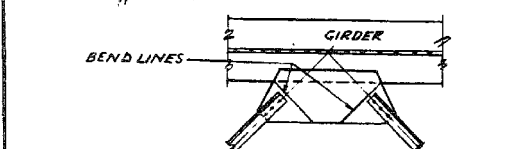
TOP VIEW



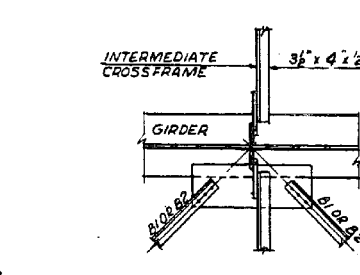
TOP VIEW



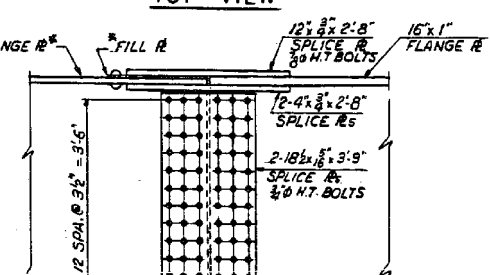
WEB SHOP WELD



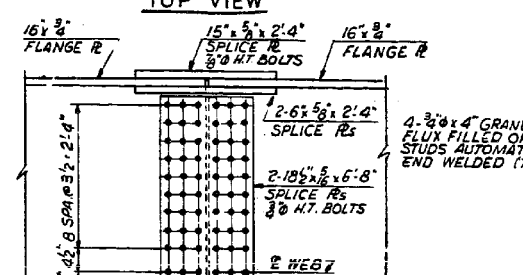
BRACING DETAIL AT HAUNCHES



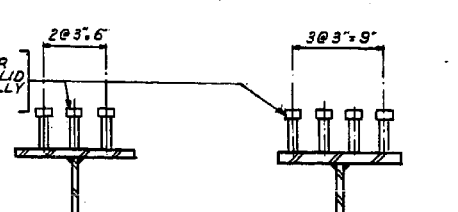
DETAIL B



** FLANGE #
EXCEPT GIRDERS A, B, C SPAN 5 E.B. ARE 12\"/>

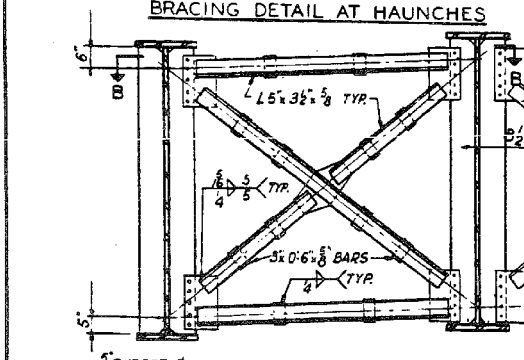


** FLANGE #
EXCEPT GIRDERS A, B, C SPAN 5 E.B. ARE 12\"/>

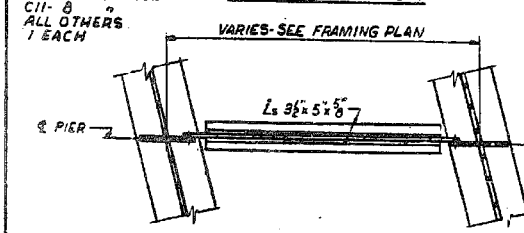


TYPICAL SPAN NO. 4 GIRDERS A THRU M
SPAN NO. 3 GIRDERS A THRU C

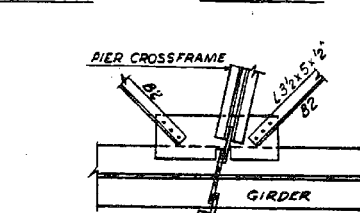
SHEAR CONNECTOR DETAILS



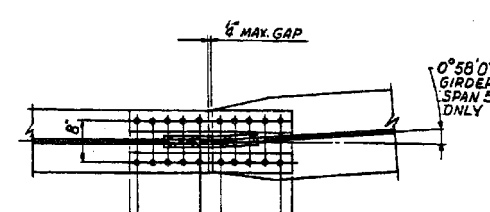
C6-10 REQUIRED
C11-8
ALL OTHERS 1 EACH



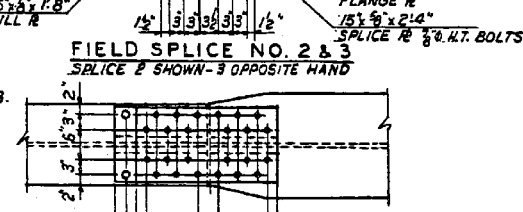
SECTION B-B



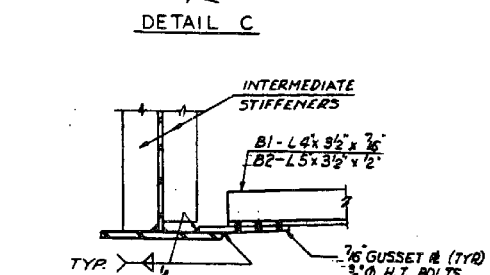
DETAIL C



BOTTOM VIEW



BOTTOM VIEW



WELD DETAIL

NOTE: SEE SHEET "ELECTRICAL DETAILS" FOR BRACKET SUPPORTS FOR CONDUITS ATTACHED TO STRUCTURE

REVISIONS	
NAME	DATE
DESIGNED ST-PL	SCALE: HORIZ.
REVIEWED CMW	DATE 6-5-03

ILLINOIS DIVISION OF HIGHWAYS	
SOUTHWEST EXPRESSWAY	
F.A. RT. 133	
LAWDALE AVE. STRUCTURE OVER CHICAGO SANITARY AND SHIP CANAL	
SECTION 0707 - 626 B	
STRUCTURAL STEEL DETAILS	
DRAWN BY L.A.	CHECKED BY L.D.B.

benesch
engineers · scientists · planners
Alfred Benesch & Company
205 North Michigan Avenue, Suite 2400
Chicago, Illinois 60601
312-565-0450 Job No. 10093

FILE NAME =	USER NAME = tjenicke	DESIGNED - FSM	REVISIONS -
0160486.60J16.X25.exist.steel.det.dgn	PLOT SCALE =	CHECKED - RMM	REVISIONS -
	PLOT DATE = 6/23/2014	DRAWN - FSM	REVISIONS -
		CHECKED - RMM	REVISIONS -

STATE OF ILLINOIS
DEPARTMENT OF TRANSPORTATION

EXISTING PLANS STEEL DETAILS
STRUCTURE NO. 016-0486
SHEET NO. SGX25 OF SGX48 SHEETS

FOR INFORMATION ONLY				
F.A.P. RT. 133	SECTION 2013-038B-R	COUNTY COOK	TOTAL SHEETS 821	SHEET NO. 715
CONTRACT NO. 60J16			ILLINOIS FED. AID PROJECT	

X:\100005\10093\Eng_Docs_Phase_1\1st_Ave_cover_Conc\Final\Final_0486_0160486_60J16.X25.exist.steel.det.dgn 2:57:13 PM 6/23/2014