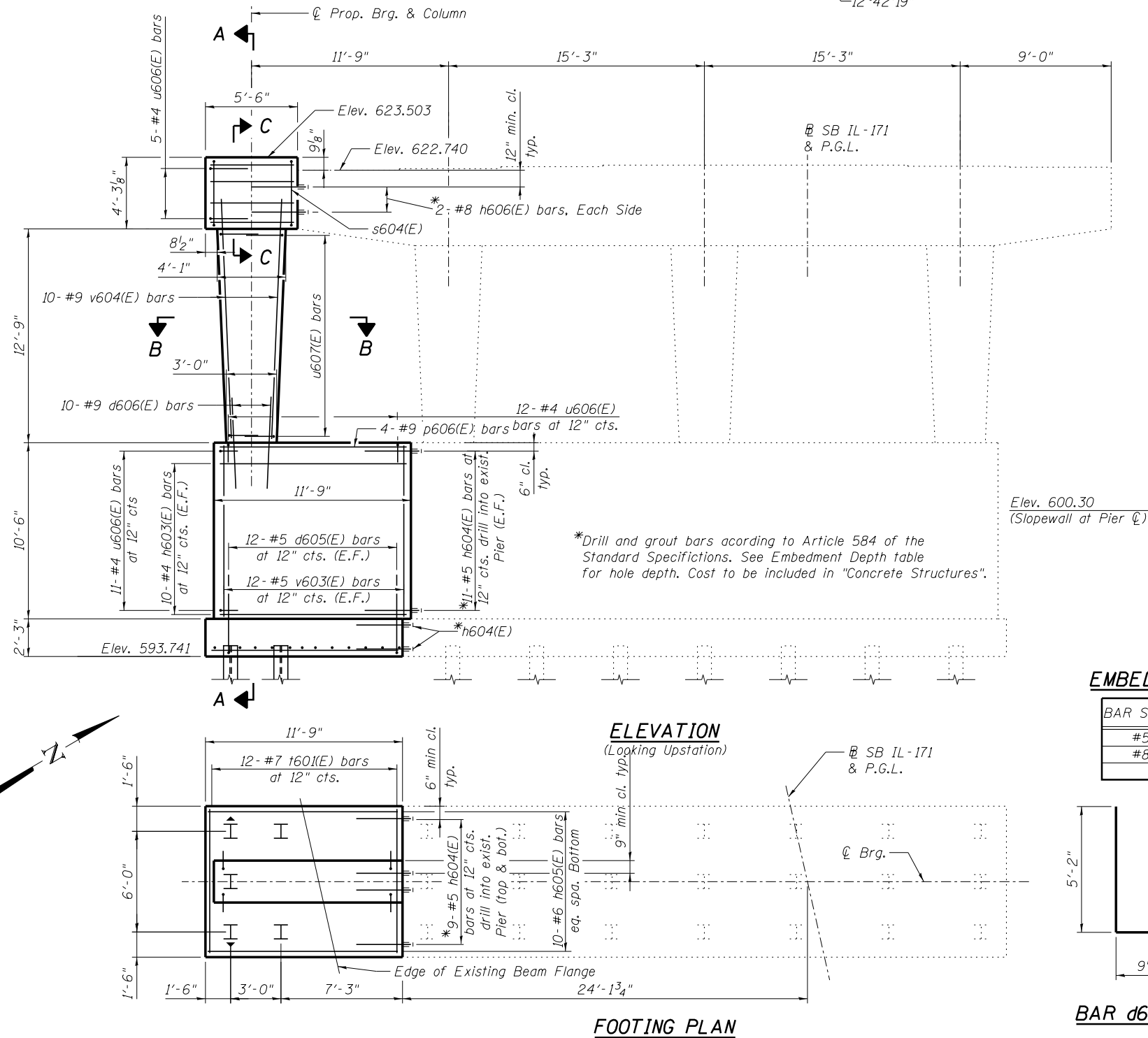
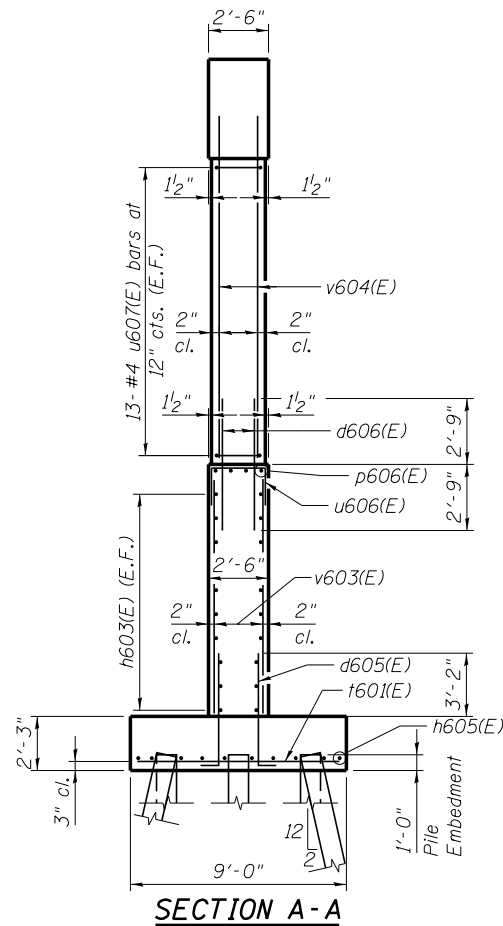
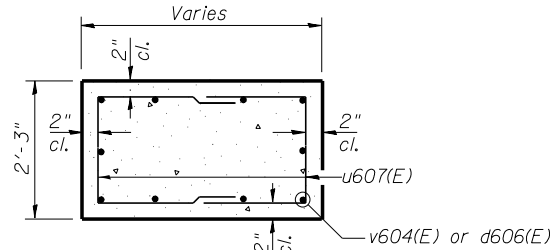
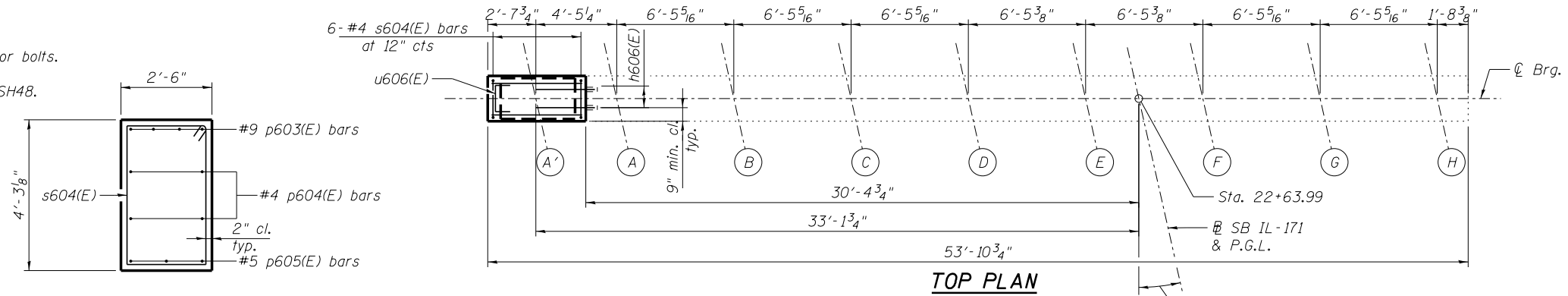


Notes:  
 Space reinforcement in cap to miss anchor bolts.  
 Pour steps monolithically with cap.  
 For details of piles, see sheet SH30 of SH48.

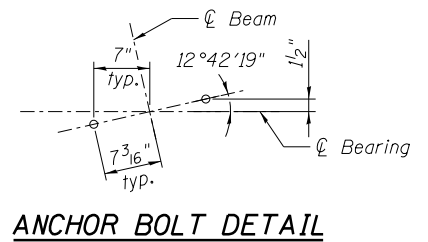
**PILE DATA**

Type: HP12x53 with Pile Shoes  
 Nominal Required Bearing: 134 kips  
 Allowable Resistance Available: 45 kips  
 Est. Length: 35'  
 No. Production Piles: 4  
 No. Test Piles: 1



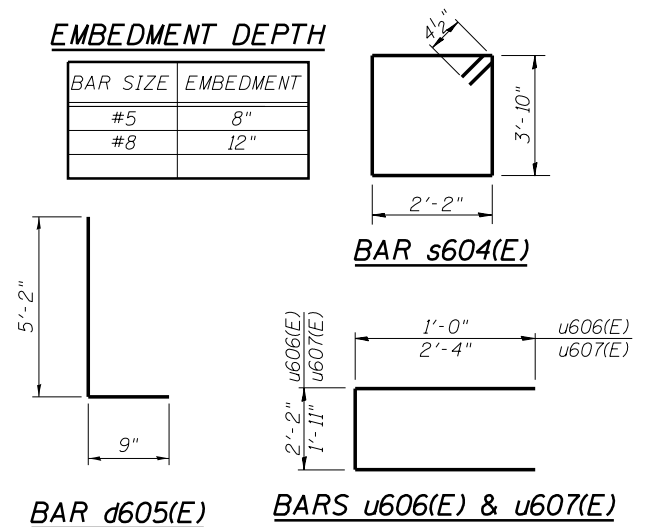
**BILL OF MATERIAL**

Bar	No.	Size	Length	Shape
d605(E)	24	#5	5'-11"	—
d606(E)	10	#9	5'-6"	—
h603(E)	20	#4	11'-5"	—
h604(E)	40	#5	3'-3"	—
h605(E)	10	#6	11'-5"	—
h606(E)	6	#8	4'-0"	—
p603(E)	4	#9	5'-2"	—
p604(E)	4	#4	5'-2"	—
p605(E)	3	#5	5'-2"	—
p606(E)	4	#9	11'-5"	—
s604(E)	6	#4	12'-9"	□
t601(E)	12	#7	8'-8"	—
u606(E)	6	#4	4'-2"	—
u607(E)	26	#4	6'-7"	—
v603(E)	24	#5	10'-2"	—
v604(E)	10	#9	15'-9"	—
Structure Excavation	Cu. Yd.		47	
Concrete Structures	Cu. Yd.		26.1	
Reinforcement Bars, Epoxy Coated	Pound		2,300	
Furnishing Steel Piles HP12x53	Foot		140	
Driving Piles	Foot		140	
Test Pile Steel HP12x53	Each		1	
Pile Shoes	Each		5	
Clean Bridge Seats	Sq. Ft.		122	



**EMBEDMENT DEPTH**

BAR SIZE	EMBEDMENT
#5	8"
#8	12"



**benesch**  
 engineers · scientists · planners  
 Alfred Benesch & Company  
 205 North Michigan Avenue, Suite 2400  
 Chicago, Illinois 60601  
 312-565-0450 Job No. 10093

FILE NAME =	USER NAME = jsurber	DESIGNED - CMK	REVISED -
		CHECKED - JAW	REVISED -
		DRAWN - CMK	REVISED -
		CHECKED - JAW	REVISED -

**STATE OF ILLINOIS  
 DEPARTMENT OF TRANSPORTATION**

**PIER 1 WIDENING DETAILS  
 STRUCTURE NO. 016-0488**

F.A.P. RTE.	SECTION	COUNTY	TOTAL SHEETS	SHEET NO.
373	2013-038B-R	COOK	821	766
CONTRACT NO. 60J16			ILLINOIS FED. AID PROJECT	

SHEET NO. SH28 OF SH36 SHEETS

Y:\chicago\100005\10003\Eng\_Docs\Phase\_1\15N\_016\_0488\_0489\_1st\_Ave\_cover\_ICC.RRV\Final\0488\016-0488-60J16-028-Pier-1 Widening Details.dgn 8/27/14 AM 7/16/2014