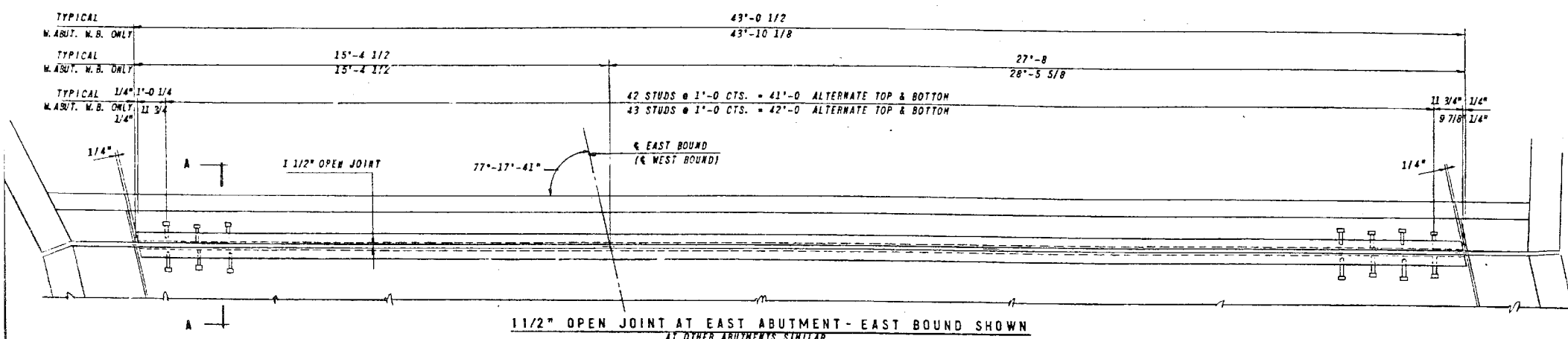
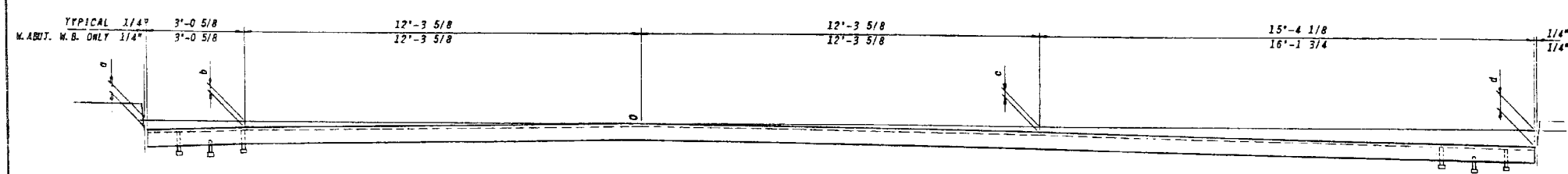


F.A. RTE.	SECTION	EXPRESSWAY	TOTAL SHEETS	SHEET NO.
133	0707-617VB	SOUTHWEST	56	41
BYA.	TO STA.			
FED. ROAD DIST. NO. 7	ELGIN	FED. AID PROJECT		



LOCATION	a	b	c	d
EAST ABUT. E.B.	2 1/2"	1 11/16"	1 3/16"	4 1/2"
WEST ABUT. E.B.	2 1/4"	1 1/2"	1 3/8"	4 7/8"
EAST ABUT. W.B.	1 13/16"	1 3/16"	1 11/16"	5 5/8"
WEST ABUT. W.B.	2 1/16"	1 3/8"	1 1/2"	5 7/16"



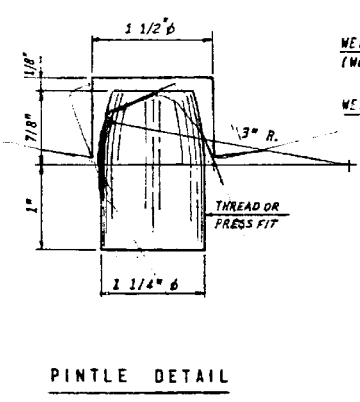
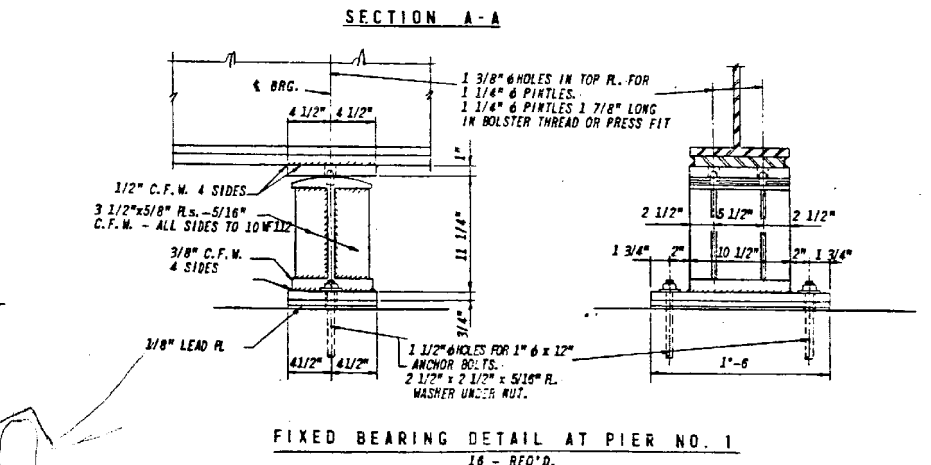
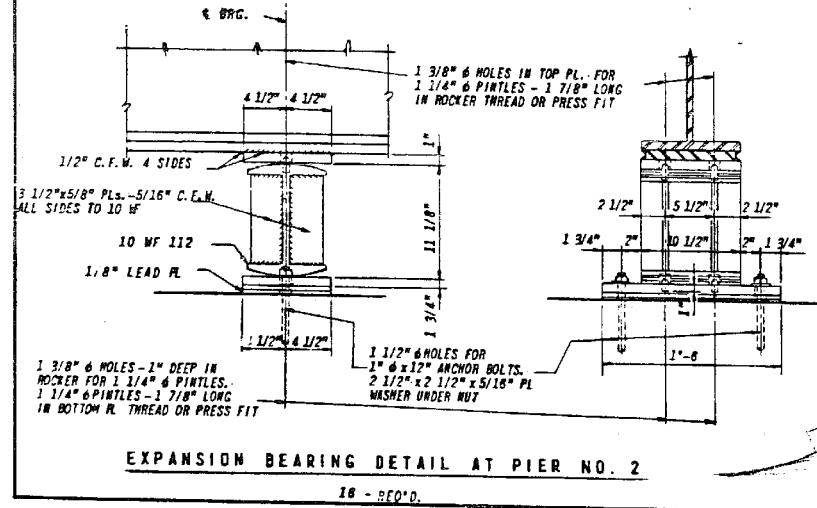
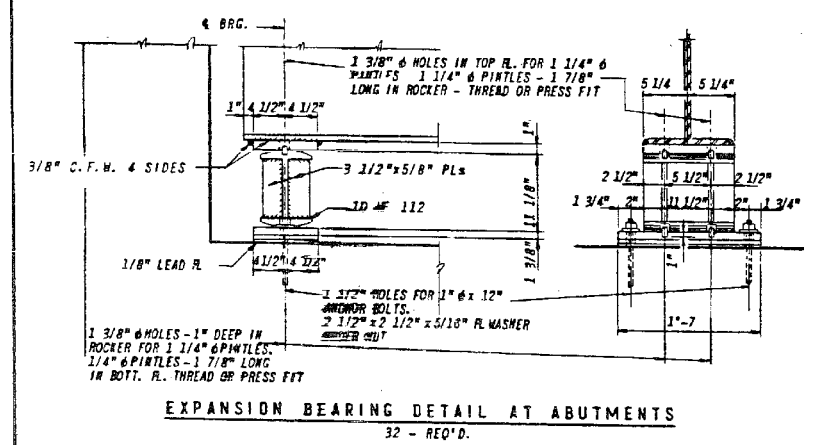
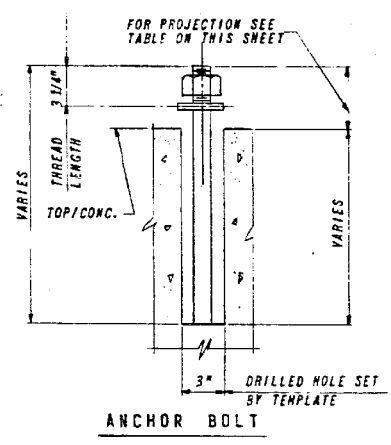
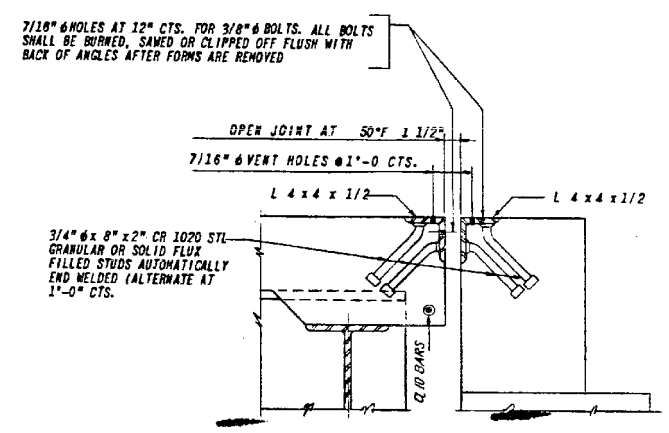
LOCATION	A	B	C	D	E	F	G	H
EAST ABUT.	-	-	-	-	5/8"	7/16"	5/16"	-
PIER NO. 1	-	-	-	-	5/8"	1/2"	3/8"	-
PIER NO. 2	-	-	-	-	11/16"	9/16"	1/2"	3/16"
WEST ABUT.	-	-	-	-	3/4"	5/8"	9/16"	5/16"

LOCATION	I	J	K	L	M	N	O	P
EAST ABUT.	1/8"	3/16"	1/8"	-	-	-	-	-
PIER NO. 1	-	3/16"	1/8"	-	-	-	-	-
PIER NO. 2	-	1/8"	-	-	-	-	-	-
WEST ABUT.	-	-	-	-	-	-	-	-

LOCATION	A	B	C	D	E	F	G	H
EAST ABUT.	3"	3"	3"	3"	3 5/8"	3 1/2"	3 3/8"	3"
PIER NO. 1	2 3/8"	2 3/8"	2 3/8"	2 3/8"	3"	2 7/8"	2 3/4"	2 3/8"
PIER NO. 2	3 3/8"	3 3/8"	3 3/8"	3 3/8"	4"	3 7/8"	3 5/8"	3 5/8"
WEST ABUT.	3"	3"	3"	3"	3 3/4"	3 5/8"	3 5/8"	3 3/8"

LOCATION	I	J	K	L	M	N	O	P
EAST ABUT.	3 1/8"	3 1/4"	3 1/8"	3"	3"	3"	3"	3"
PIER NO. 1	2 3/8"	2 5/8"	2 1/2"	2 3/8"	2 3/8"	2 3/8"	2 3/8"	2 3/8"
PIER NO. 2	3 3/8"	3 1/2"	3 3/8"	3 3/8"	3 3/8"	3 3/8"	3 3/8"	3 3/8"
WEST ABUT.	3"	3"	3"	3"	3"	3"	3"	3"

BLOCKING DIAGRAM



WEIGHT OF BEARING DEVICES 15,750 LBS.
(Weight of Shim Plates Included)
WEIGHT OF 1 1/2" OPEN JOINT DEVICES 4,760 LBS.

ILLINOIS DIVISION OF HIGHWAYS		SOUTHWEST EXPRESSWAY	
F.A. RT. 133		LAWDALE AVE. STRUCTURE OVER G.M. & O. RAILROAD	
SECTION 0707-617VB		BEARING DEVICES	
DESIGNED ST.PX.	SCALE: HORIZ. VERT. 8-21-63	DRAWN BY J.S.	CHECKED BY L.D.B.
REVIEWED C.W.W.			

REVISIONS	
NAME	DATE

FOR INFORMATION ONLY

benesch
engineers · scientists · planners
Alfred Benesch & Company
205 North Michigan Avenue, Suite 2400
Chicago, Illinois 60601
312-565-0450 Job No. 10093

FILE NAME =	USER NAME = tjenicke	DESIGNED - CMK	REVISED -
		CHECKED - JAW	REVISED -
		DRAWN - CMK	REVISED -
		CHECKED - JAW	REVISED -

STATE OF ILLINOIS
DEPARTMENT OF TRANSPORTATION

EXISTING PLAN INFORMATION (7 OF 14)
STRUCTURE NO. 016-0488

F.A.P. RTE.	SECTION	COUNTY	TOTAL SHEETS	SHEET NO.
373	2013-038B-R	COOK	821	781
CONTRACT NO. 60J16				
ILLINOIS FED. AID PROJECT				