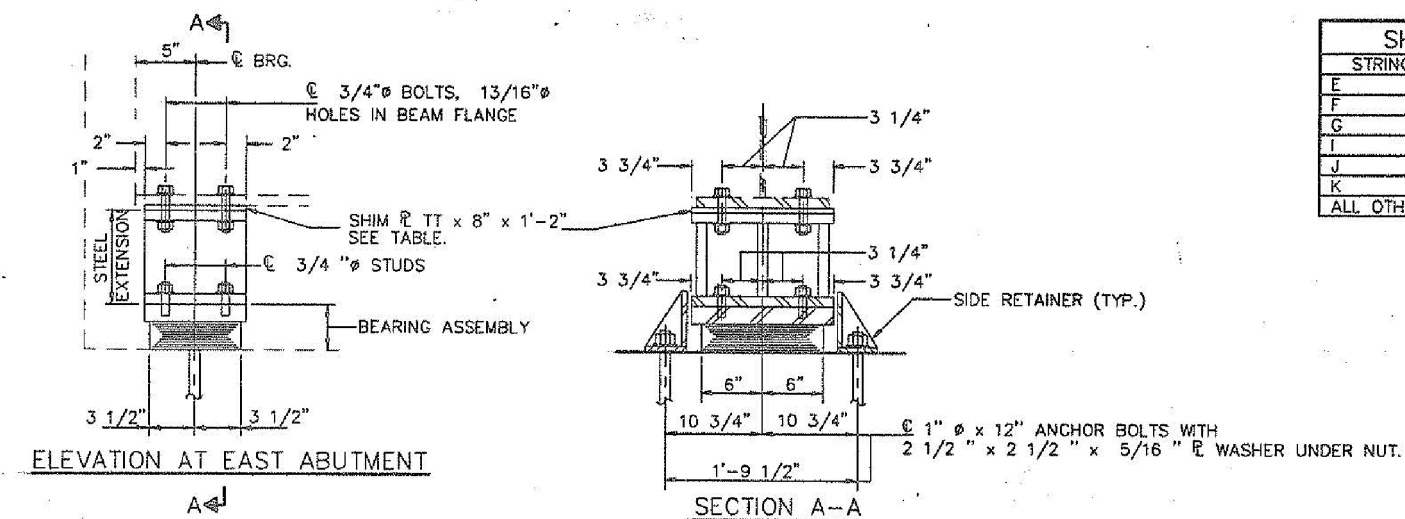


ROUTE NO.	SECTION	COUNTY	TOTAL SHEETS	SHEET NO.
IL 171	**	COOK	883	514
		ILLINOIS	FED. AID PROJECT	

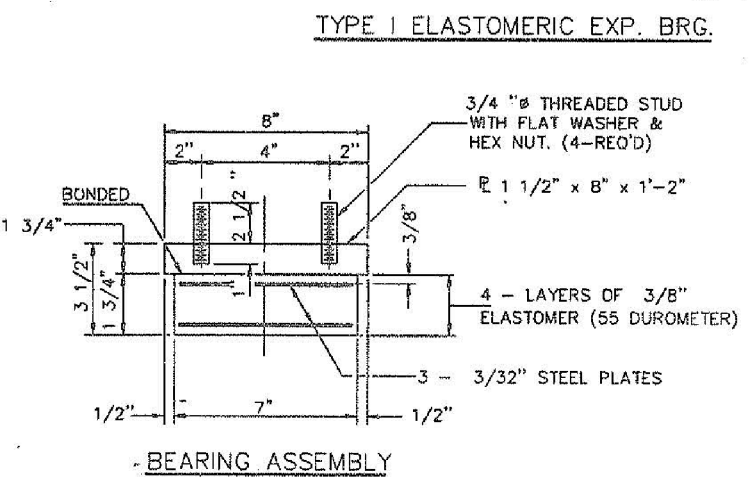
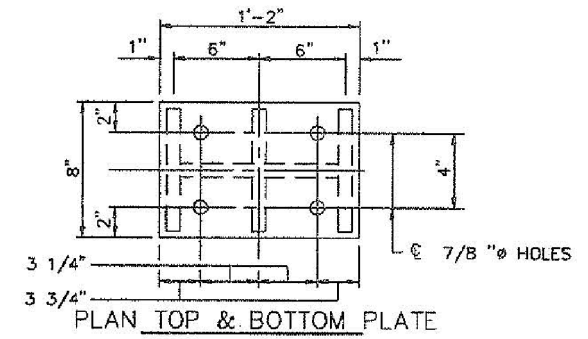
\*\* SECTION 0707-617 VB (BR)



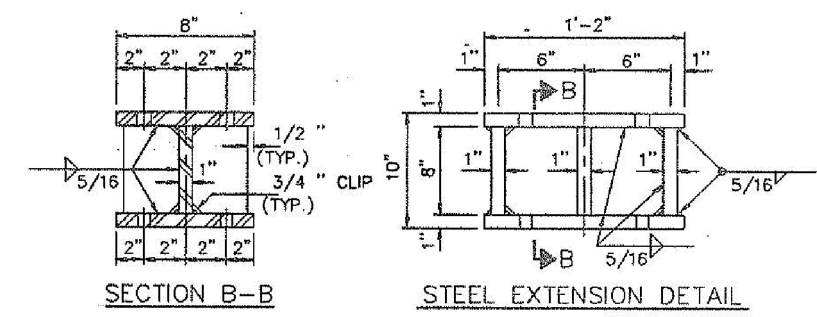
STRINGER	TT
E	1/8" + 5/8"
F	1/8" + 7/16"
G	1/8" + 5/16"
I	1/8" + 1/8"
J	1/8" + 3/16"
K	1/8" + 1/8"
ALL OTHERS	1/8"

BEAM REACTIONS

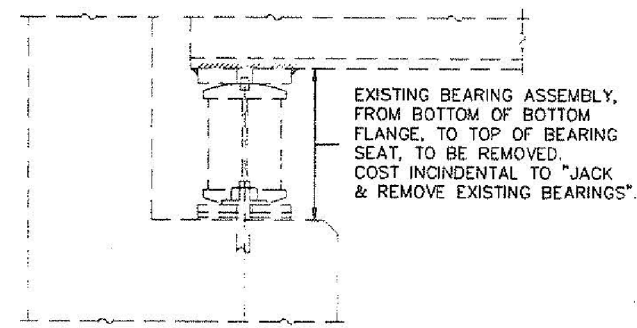
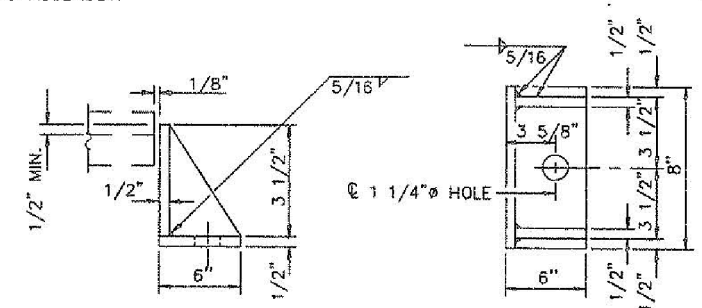
RP	(K)	18.7
RL	(K)	36.0
IMPACT	(K)	10.3
R (TOTAL)	(K)	65.0



NOTES: DIAPHRAGM REMOVAL AND REPLACEMENT MAY BE REQUIRED TO FACILITATE DRILLING HOLES IN THE BOTTOM FLANGE FOR BEARING ATTACHMENT. COST IS INCIDENTAL TO "FURNISHING AND ERECTING STRUCTURAL STEEL".  
 NEW STEEL EXTENSIONS, SIDE RETAINERS, LEAD PLATES, SHIM PLATES, CONNECTION BOLTS AND ANCHOR BOLTS ARE INCLUDED IN "FURNISHING AND ERECTING STRUCTURAL STEEL".  
 SEE SHEET 18 FOR ANCHOR BOLT INSTALLATION.  
 BEFORE INSTALLING THE NEW BEARING, THE TOP PLATE OF THE EXISTING BEARING ASSEMBLY SHALL BE REMOVED FROM THE BOTTOM FLANGE USING THE AIR-ARC METHOD. GRIND SMOOTH ALL WELD MATERIAL REMAINING ON THE BOTTOM FLANGE. BURN EXISTING ANCHOR BOLTS FLUSH WITH EXISTING CONCRETE SURFACE. GRIND EXISTING ANCHOR BOLT SMOOTH AND SEAL WITH EPOXY. COST IS INCIDENTAL TO FURNISHING AND ERECTING STRUCTURAL STEEL.  
 TRAFFIC SHALL BE REMOVED FROM THE PORTION OF THE STRUCTURE TO BE JACKED PRIOR TO COMMENCING JACKING OPERATIONS. TRAFFIC SHALL BE KEPT OFF THAT PORTION OF THE STRUCTURE DURING THE ENTIRE BEARING REPLACEMENT OPERATION. DIFFERENTIAL JACKING HEIGHT NOT TO EXCEED 1/8" TRANSVERSELY BETWEEN ADJACENT BEAMS OR 1/4" LONGITUDINALLY BETWEEN ADJACENT SUPPORTS.  
 PRIOR TO ORDERING ANY MATERIAL, THE CONTRACTOR SHALL VERIFY IN THE FIELD ALL BEARING HEIGHT AND SHIM DIMENSIONS.  
 SEE SUPERSTRUCTURE OVERLAY & REPAIR PLANS FOR BEAM LOCATIONS.



NOTE: SHIM PLATES SHALL NOT BE PLACED UNDER BEARING ASSEMBLY.



BILL OF MATERIAL

ITEM	UNIT	TOTAL
ELASTOMERIC BEARING ASSEMBLY TYPE I	EACH	16
JACK & REMOVE EXISTING BEARINGS	EACH	16
FURNISH & ERECT STRUCTURAL STEEL	LBS	2900
BRIDGE SEAT SEALER	SQ FT	278

ILLINOIS DEPARTMENT OF TRANSPORTATION  
**EAST ABUTMENTS**  
**TYPE I BEARINGS**  
 BRIDGE REPAIRS  
 1ST AVE (IL 171) S.N. 016-0488 & 016-0489  
 OVER G.M. & O. RAILROAD  
 F.A.U. RT. 1505 SECTION 0707-617 VB (BR)  
 COOK CO. IL  
 STA. 22+90.24

17/03/93 09:52:32 A.M. 48017PLDWG  
 19  
 EXAMINED \_\_\_\_\_  
 PASSED \_\_\_\_\_  
 APPROVED \_\_\_\_\_

**benesch**  
 engineers - scientists - planners  
 Alfred Benesch & Company  
 205 North Michigan Avenue, Suite 2400  
 Chicago, Illinois 60601  
 312-565-0450 Job No. 10093

FOR INFORMATION ONLY

FILE NAME	USER NAME	DESIGNED	CHECKED	DRAWN	PLLOT DATE	REVISIONS
016-0488-60J16-049-Existing Plans 13 of 14	tjenicke	CMK	JAW	CMK	12/20/2013	CMK, JAW

STATE OF ILLINOIS  
 DEPARTMENT OF TRANSPORTATION

EXISTING PLAN INFORMATION (13 OF 14)  
 STRUCTURE NO. 016-0488

F.A.P. RTE.	SECTION	COUNTY	TOTAL SHEETS	SHEET NO.
373	2013-038B-R	COOK	821	787
			CONTRACT NO. 60J16	
ILLINOIS FED. AID PROJECT				

SHEET NO. SHX13 OF SHX14 SHEETS

X:\100005\10093\Eng\_Docs\_Phase\_1\11\SN\_016\_0488\_0489\_1st\_Ave\_over\_ILC.RR\Final\Final\_0488-60J16-049-Existing Plans 13 of 14.dgn 3:03:19 PM 6/23/2014