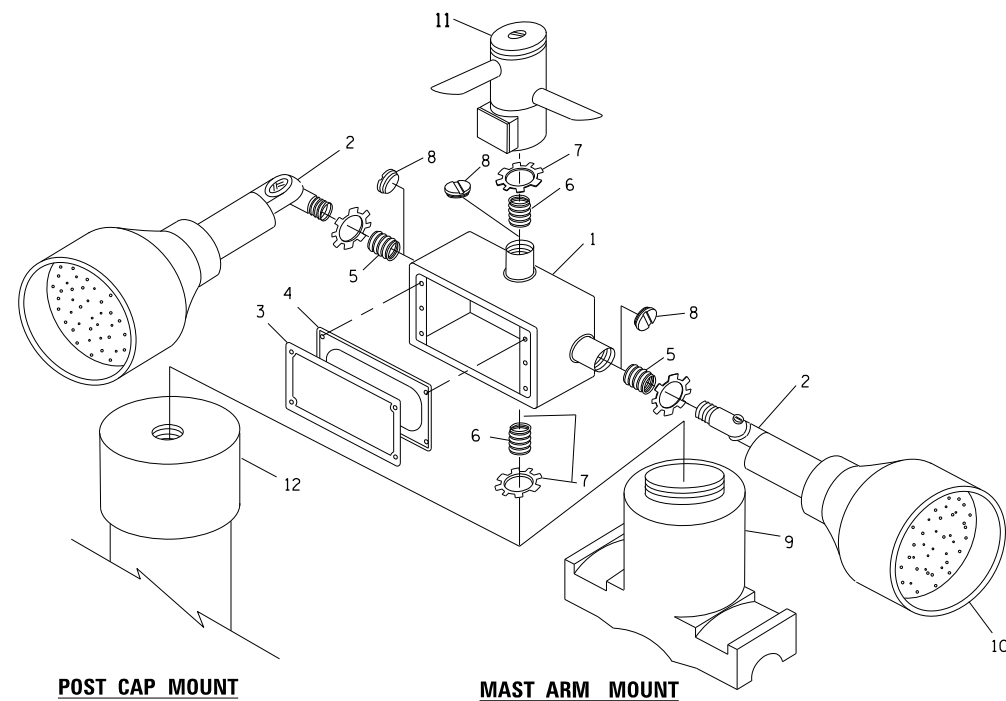


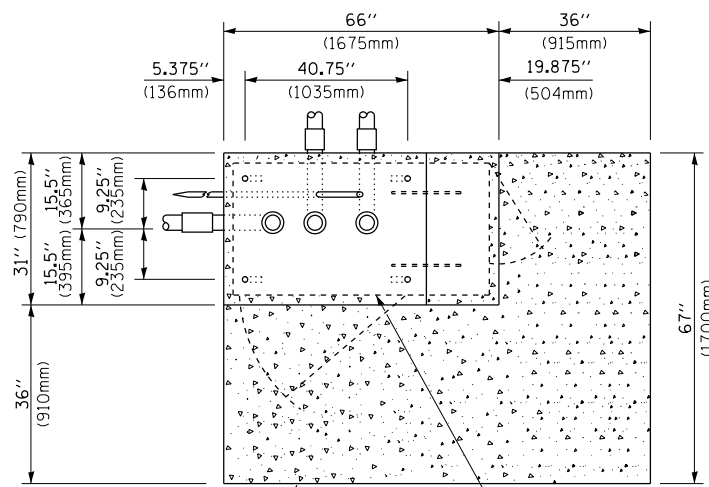
NOTES:

1. CONDUIT DEPTH SHALL BE A MINIMUM OF 30" (760mm) BELOW THE BOTTOM OF THE DRAINAGE DITCH OR ANY SLOPING GROUND
2. THE MINIMUM CONDUIT DEPTH APPLIES TO ALL CONDUIT PLACED UNDER ROADWAY PAVEMENT, MULTI-USE PATHS, SIDEWALKS AND SOIL SURFACES.
3. THE MINIMUM CONDUIT DEPTH APPLIES TO ALL HANDHOLES, HEAVY DUTY HANDHOLES AND DOUBLE HANDHOLES.

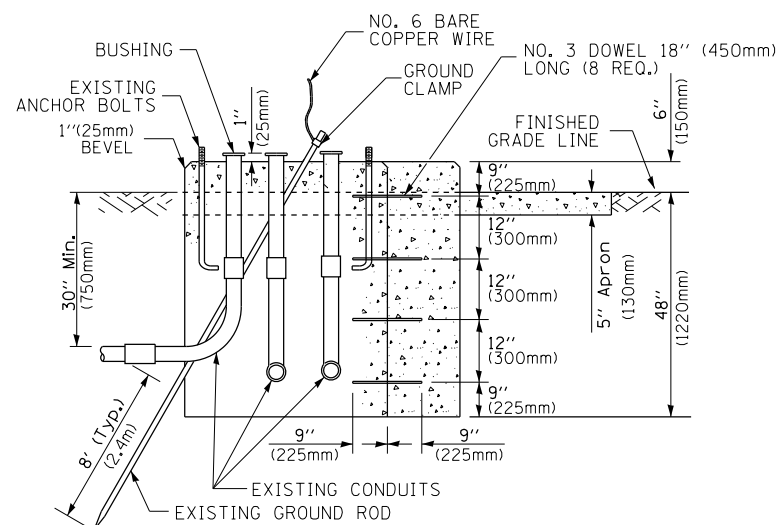
HANDHOLE WITH MINIMUM CONDUIT DEPTH
(NOT TO SCALE)



EMERGENCY VEHICLE DETECTOR WITH CONFIRMATION BEACON MOUNTING DETAIL



TOP VIEW
(NOT TO SCALE)

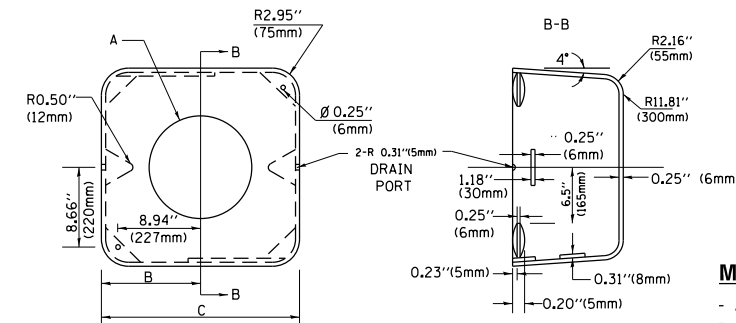


MODIFY EXISTING TYPE "D" FOUNDATION TO TYPE "C" FOUNDATION
(NOT TO SCALE)

| ITEM NO. | IDENTIFICATION |
|----------|---|
| 1 | OUTLET BOX- GALV. 21 CU.IN. (0.000344 CU-M) |
| 2 | LAMP HOLDER AND COVER |
| 3 | OUTLET BOX COVER |
| 4 | RUBBER COVER GASKET |
| 5 | REDUCING BUSHING |
| 6 | 3/4" (19 mm) CLOSE NIPPLE |
| 7 | 3/4" (19 mm) LOCKNUT |
| 8 | 3/4" (19 mm) HOLE PLUG |
| 9 | SADDLE BRACKET - GALV. |
| 10 | 6 WATT PAR 38 LED FLOOD LAMP |
| 11 | DETECTOR UNIT |
| 12 | POST CAP [18 FT. (5.4 m) POST MIN.] |

NOTES:

1. ALL ELECTRICAL ITEMS, EXCEPT ITEMS #2 AND #11 SHALL BE ALUMINUM OR GALVANIZED
2. ITEM #1- OZ/GEDNEY FSX-1-50 OR EQUIVALENT
ITEM #2- MULBERRY CON-O-SHADE LAMP SHIELD OR EQUIVALENT
ITEM #9- "BAND-IT" SADDLE BRACKET OR EQUIVALENT
3. WHEN POST MOUNTING IS SPECIFIED, ITEM #9 SHALL NOT BE REQUIRED. THE DETECTION UNIT SHALL BE MOUNTED DIRECTLY ON TOP OF THE CAP BY DRILLING AND TAPPING A 3/4" (19 mm) HOLE WITH PIPE THREADS. THE POST CAP SHALL EITHER BE SCREWED TO THE TOP OF THE POST OR A MINIMUM OF 3 TIGHTENING SCREWS SHALL BE REQUIRED ON EACH CAP.



MATERIAL:
- ASTM A36 STEEL
- ASTM A-123 HOT DIPPED GALVANIZED

| A | B | C | HEIGHT | WEIGHT |
|-----------|----------------|---------------|--------------------------|-----------------|
| VARIABLES | 9.5" (241mm) | 19" (483mm) | 7" (178mm) - 12" (300mm) | 53 lbs (24kg) |
| VARIABLES | 10.75" (273mm) | 21.5" (546mm) | 7" (178mm) - 12" (300mm) | 68 lbs (31 kg) |
| VARIABLES | 13.0" (330mm) | 26" (660mm) | 7" (178mm) - 12" (300mm) | 81 lbs (37 kg) |
| VARIABLES | 18.5" (470mm) | 37" (940mm) | 7" (178mm) - 12" (300mm) | 126 lbs (57 kg) |

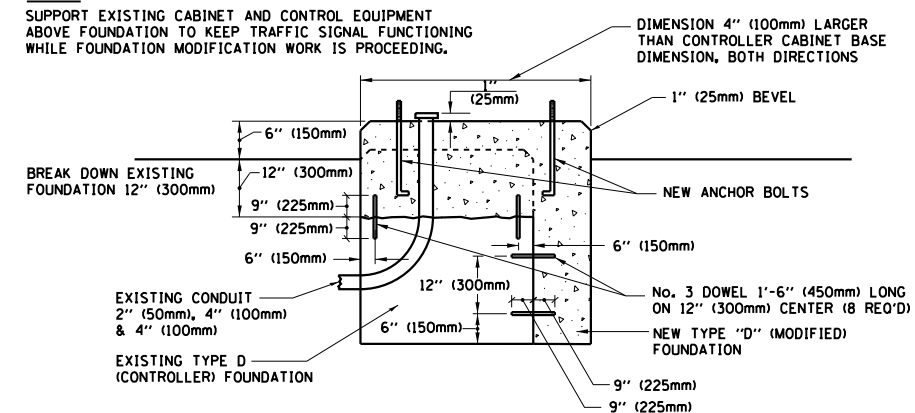
SHROUD

NOTES:

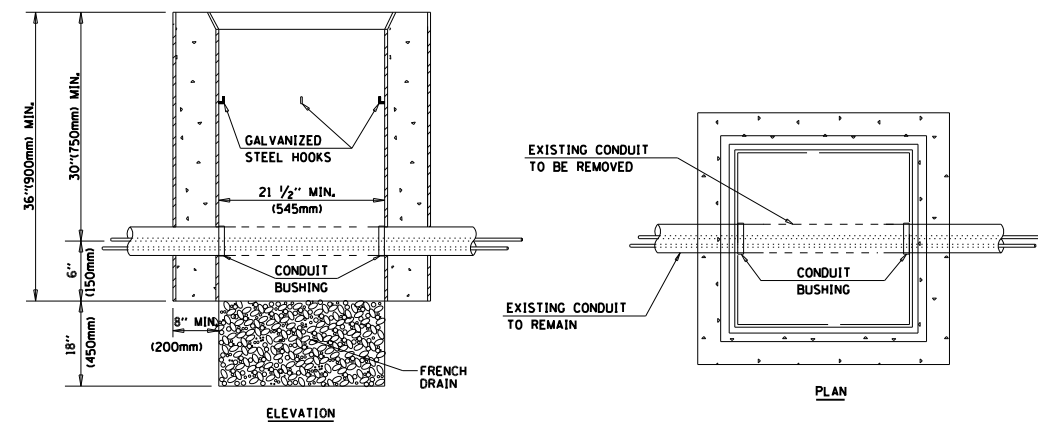
1. DIMENSION "A" IS EQUAL TO THE DIAMETER OF THE MAST ARM POLE AT THE TOP OF THE SHROUD. THE SHROUD SHALL BE TIGHT TO THE MAST ARM POLE.
2. THE SUPPLIER SHALL VERIFY THE ABOVE DIMENSIONS BASED ON MAST ARM REQUIREMENTS.
3. THE HEIGHT OF THE SHROUD SHALL COVER THE ANCHOR BOLTS, NUTS AND MAST ARM POLE BASE.

NOTE:

SUPPORT EXISTING CABINET AND CONTROL EQUIPMENT ABOVE FOUNDATION TO KEEP TRAFFIC SIGNAL FUNCTIONING WHILE FOUNDATION MODIFICATION WORK IS PROCEEDING.



MODIFY EXISTING TYPE "D" FOUNDATION



NOTES:

1. HANDHOLE CONSTRUCTED PER STATE STANDARD 814001.
2. REMOVAL OF THE EXISTING CONDUIT FROM THE HANDHOLE AND THE INSTALLATION OF THE CONDUIT BUSHINGS SHALL BE INCLUDED WITH THE COST OF THE HANDHOLE.

HANDHOLE TO INTERCEPT EXISTING CONDUIT

| | | | |
|---|-----------------------------|-----------------|----------------------|
| FILE NAME = | USER NAME = paraynoal | DESIGNED - DAD | REVISED - DAG 1-1-14 |
| ei:\pwork\pwork\paraynoal\0246802\0246802.dwg | | DRAWN - BCK | REVISED - |
| | PLOT SCALE = 100.0000' / 1" | CHECKED - DAD | REVISED - |
| | PLOT DATE = 7/16/2014 | DATE - 10-28-09 | REVISED - |

STATE OF ILLINOIS
DEPARTMENT OF TRANSPORTATION

DISTRICT ONE
STANDARD TRAFFIC SIGNAL DESIGN DETAILS

SCALE: NONE SHEET NO. 6 OF 7 SHEETS STA. TO STA.

| | | | | |
|---|---------|---------------------|--------------|-----------|
| F.A.U. RTE. | SECTION | COUNTY | TOTAL SHEETS | SHEET NO. |
| 1602 | 74-RS-2 | COOK | 32 | 30 |
| TS-05 | | CONTRACT NO. | | |
| FED. ROAD DIST. NO. 1 ILLINOIS FED. AID PROJECT | | | | |