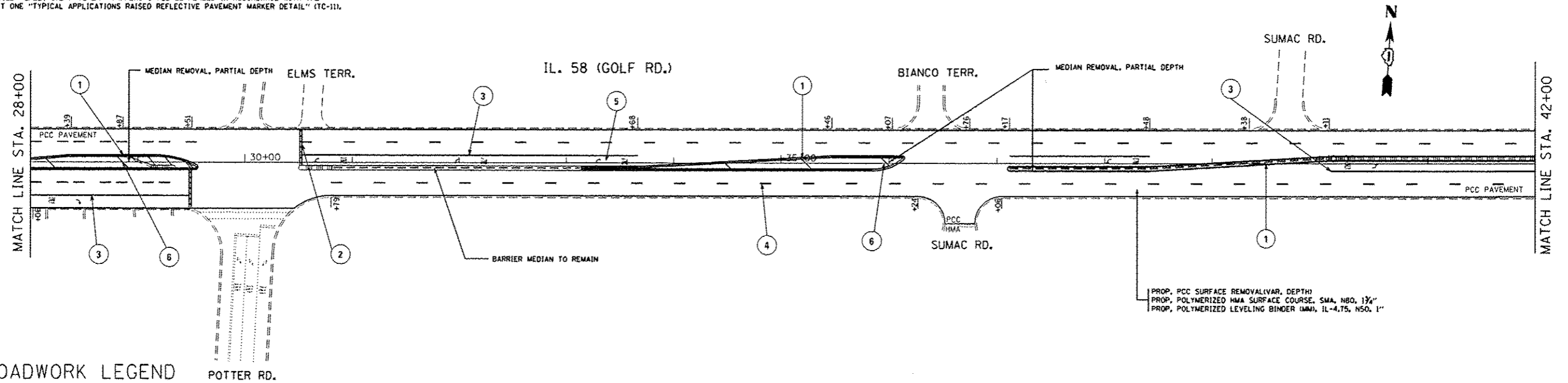


**NOTES:**

LIMIT OF RESURFACING ON SIDE-STREETS SHALL BE AS SHOWN ON THE PLANS OR AS DIRECTED BY THE ENGINEER.

ALL FINAL PAVEMENT MARKINGS SHALL BE THERMOPLASTIC (OF THE EXTRUDED TYPE) AND SHOULD BE PLACED IN ACCORDANCE WITH "DISTRICT ONE TYPICAL PAVEMENT MARKINGS"

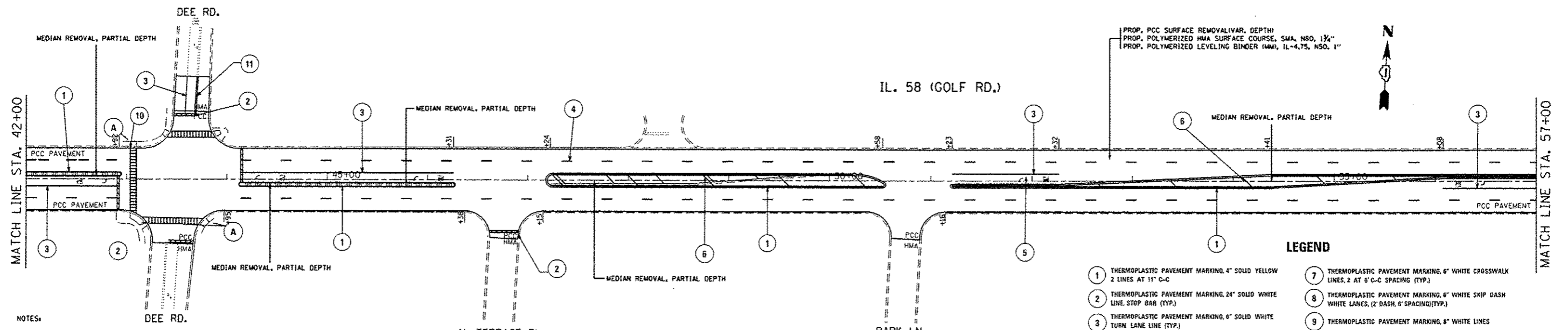
ALL RAISED REFLECTIVE PAVEMENT MARKERS SHALL BE PLACED IN ACCORDANCE WITH THE DISTRICT ONE "TYPICAL APPLICATIONS RAISED REFLECTIVE PAVEMENT MARKER DETAIL" (TC-111).



PROP. PCC SURFACE REMOVAL (VAR. DEPTH)  
 PROP. POLYMERIZED HMA SURFACE COURSE, SMA, N80, 1 1/4"  
 PROP. POLYMERIZED LEVELING BINDER (LMB), IL-4.75, N50, 1"

**ROADWORK LEGEND**

- (A) PROP. SIDEWALK REMOVAL
- PROP. PCC SIDEWALK RAMP 5"
- PROP. DETECTABLE WARNINGS
- PROP. REMOVAL & DISPOSAL OF UNSUITABLE MATERIALS
- SEE GENERAL NOTES



PROP. PCC SURFACE REMOVAL (VAR. DEPTH)  
 PROP. POLYMERIZED HMA SURFACE COURSE, SMA, N80, 1 1/4"  
 PROP. POLYMERIZED LEVELING BINDER (LMB), IL-4.75, N50, 1"

**LEGEND**

- (1) THERMOPLASTIC PAVEMENT MARKING, 4" SOLID YELLOW 2 LINES AT 11" C-C
- (2) THERMOPLASTIC PAVEMENT MARKING, 24" SOLID WHITE LINE, STOP BAR (TYP.)
- (3) THERMOPLASTIC PAVEMENT MARKING, 6" SOLID WHITE TURN LANE LINE (TYP.)
- (4) THERMOPLASTIC PAVEMENT MARKING, 4" WHITE LANE LINE 10'DASH AT 30'SKIP (TYP.)
- (5) WHITE THERMOPLASTIC LETTERS AND SYMBOLS (TYP.)
- (6) THERMOPLASTIC PAVEMENT MARKING, 12" SOLID YELLOW DIAGONAL LINES MINIMUM 5 DIAGONALS (75' SPACING)
- (7) THERMOPLASTIC PAVEMENT MARKING, 6" WHITE CROSSWALK LINES, 2 AT 6" C-C SPACING (TYP.)
- (8) THERMOPLASTIC PAVEMENT MARKING, 6" WHITE SKIP DASH WHITE LANES, (2' DASH, 6' SPACING) (TYP.)
- (9) THERMOPLASTIC PAVEMENT MARKING, 8" WHITE LINES
- (10) THERMOPLASTIC CROSSWALK PAVEMENT MARKING (6" LONGITUDINAL BARS) 12" WIDE AT 90 DEGREES 2' APART (SOLID WHITE)
- (11) THERMOPLASTIC PAVEMENT MARKING, 4" SOLID YELLOW

**NOTES:**

LIMIT OF RESURFACING ON SIDE-STREETS SHALL BE AS SHOWN ON THE PLANS OR AS DIRECTED BY THE ENGINEER.

ALL FINAL PAVEMENT MARKINGS SHALL BE THERMOPLASTIC (OF THE EXTRUDED TYPE) AND SHOULD BE PLACED IN ACCORDANCE WITH "DISTRICT ONE TYPICAL PAVEMENT MARKINGS"

ALL RAISED REFLECTIVE PAVEMENT MARKERS SHALL BE PLACED IN ACCORDANCE WITH THE DISTRICT ONE "TYPICAL APPLICATIONS RAISED REFLECTIVE PAVEMENT MARKER DETAIL" (TC-111).

*Rev. Sheet 9-4-14*

FILE NAME: c:\p\work\p\dot\pano\pl\08238794\0107311-shi-plan.dgn	USER NAME: PanoPL	DESIGNED: -	REVISED: - PLP 08/21/2014	<b>STATE OF ILLINOIS DEPARTMENT OF TRANSPORTATION</b>	<b>IL 58 (WEST OF POTTER RD. TO LINCOLN ST.) EXISTING AND PROPOSED ROADWAY PLANS</b>	F.A.P. RTE.:	SECTION:	COUNTY:	TOTAL SHEETS:	SHEET NO.:
PLOT SCALE: 1/8"=1'-0"	CHECKED: -	REVISED: -	339			584Y-R5-2	COOK	37	10	
PLOT DATE: 8/21/2014	DATE: -	REVISED: -	SCALE: 1"=50'			SHEET NO. OF SHEETS STA. TO STA.		CONTRACT NO. 60M09		
						ILLINOIS FED. AID PROJECT				