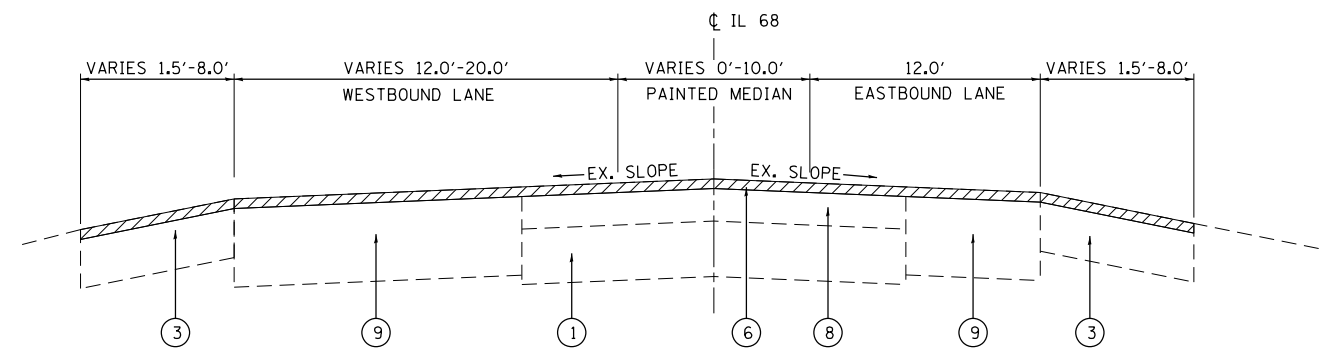
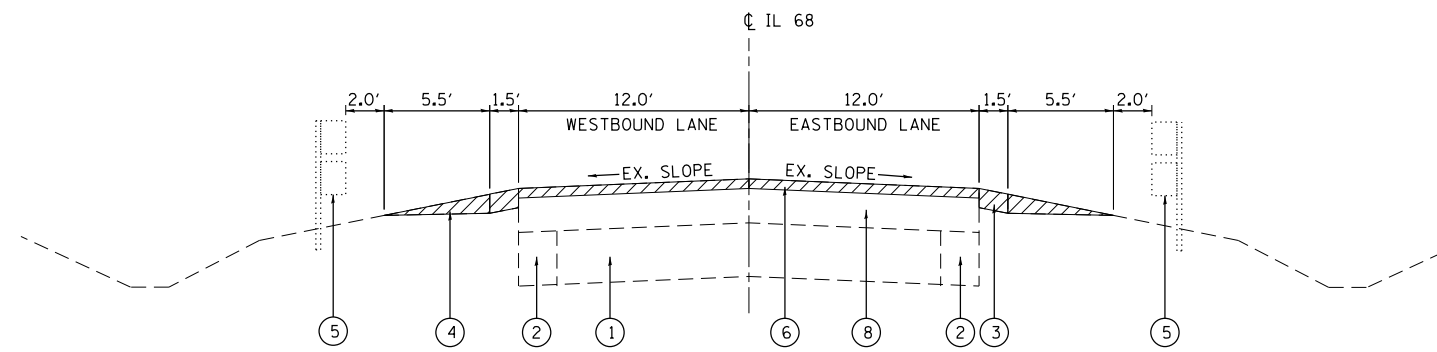


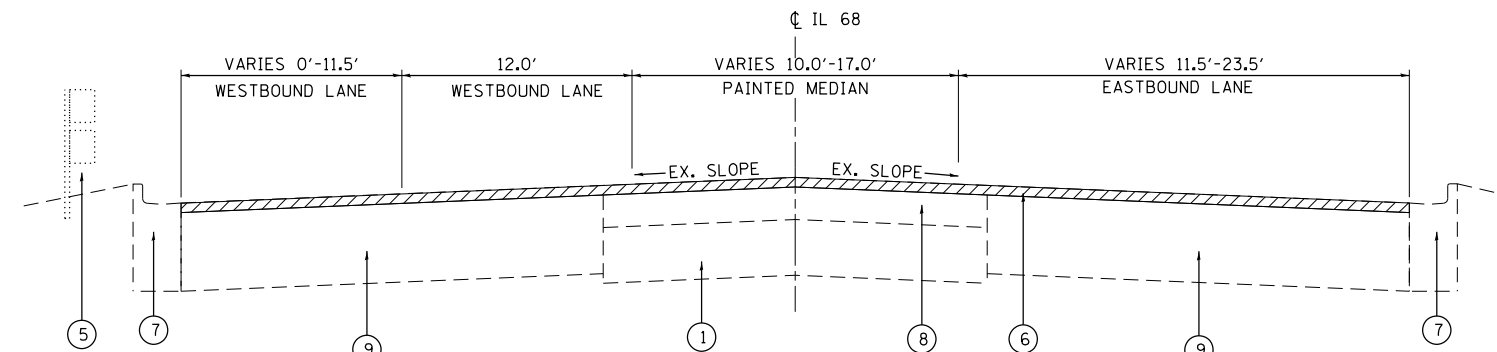
EXISTING TYPICAL SECTION
ILLINOIS ROUTE 68
 STA. 14+90 TO STA. 20+25



EXISTING TYPICAL SECTION
ILLINOIS ROUTE 68
 STA. 154+80 TO STA. 163+72



EXISTING TYPICAL SECTION
ILLINOIS ROUTE 68
 STA. 20+25 TO STA. 154+80



EXISTING TYPICAL SECTION
ILLINOIS ROUTE 68
 STA. 163+72 TO STA. 170+46

LEGEND

- ① EXISTING PCC PAVEMENT, ±8"
- ② EXISTING HOT-MIX ASPHALT BASE COURSE, ±8"
- ③ EXISTING HOT-MIX ASPHALT SHOULDER
- ④ EXISTING AGGREGATE SHOULDER
- ⑤ EXISTING GUARDRAIL (SEE PLANS)
- ⑥ PROPOSED HMA SURFACE REMOVAL, 2 1/4"
- ⑦ EXISTING COMBINATION CURB & GUTTER, TYPE B-6.24
- ⑧ EXISTING HMA BASE COURSE AFTER MILLING ±4 3/4"
- ⑨ EXISTING HMA BASE COURSE AFTER MILLING ±12 1/2"
- ▨ ITEMS TO BE REMOVED

FILE NAME = \$FILEL\$
 SHT.PLAN

USER NAME = \$USER\$	DESIGNED - MTM	REVISED -
	DRAWN - MTM	REVISED -
PLOT SCALE = \$SCALE\$	CHECKED - BA	REVISED -
PLOT DATE = \$DATE\$	DATE -	REVISED -

STATE OF ILLINOIS
DEPARTMENT OF TRANSPORTATION

IL RTE 68 (DUNDEE ROAD) - PRAIRIE LAKE ROAD TO IL 62
EXISTING TYPICAL SECTIONS

SCALE: N.T.S. SHEET 1 OF 2 SHEETS STA. TO STA.

F.A.P. RTE.	SECTION	COUNTY	TOTAL SHEETS	SHEET NO.
343	631 RS-3	KANE/COOK	73	9
CONTRACT NO. 60T04			ILLINOIS FED. AID PROJECT	