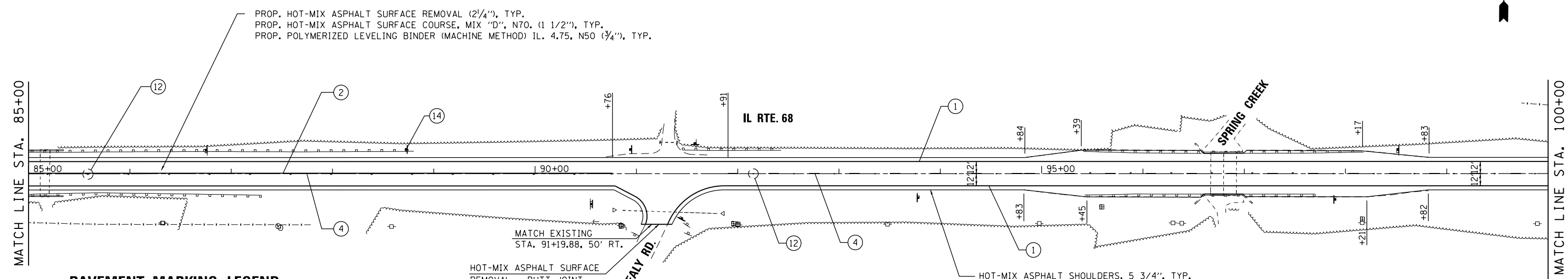


NOTES

1. SHOULDER AND CENTERLINE RUMBLE STRIPS ARE NOT SHOWN ON PLANS. SEE IDOT STANDARD 642006 - SHOULDER RUMBLE STRIPS, 8" AND BD 55 - RUMBLE STRIPES FOR CENTERLINE, NON-FREEWAY FOR DETAILS.
2. RUMBLE STRIPS SHALL BE OMITTED WITHIN THE LIMITS OF STRUCTURES, DRIVEWAY ENTRANCES AND SIDE ROADS.
3. RAISED REFLECTIVE PAVEMENT MARKERS SHALL BE REMOVED AND REPLACED PER IDOT STANDARD.
4. CONTRACTOR SHALL MILL PRIOR TO PATCHING.
5. THE QUANTITY SHOWN IN SUMMARY OF QUANTITIES FOR GRADING AND SHAPING DITCHES IS A NOMINAL QUANTITY. IT IS THE CONTRACTOR'S RESPONSIBILITY TO VERIFY THE NEED TO RE-GRADE AND RE-SHAPE THE EXISTING DITCHES ALONG THE LENGTH OF THE PROJECT, IN ORDER TO MAINTAIN POSITIVE DRAINAGE FOR THE CORRIDOR AND AS PER THE DIRECTION FROM THE RESIDENT ENGINEER.



PAVEMENT MARKING LEGEND

- | | | |
|---|---|---|
| ① THERMOPLASTIC PAVEMENT MARKING - 4" SOLID WHITE LINE | ⑥ THERMOPLASTIC PAVEMENT MARKING - 6" SOLID WHITE LINE | ⑪ RAISED REFLECTIVE PAVEMENT MARKER AMBER 1-WAY |
| ② THERMOPLASTIC PAVEMENT MARKING - 4" SOLID YELLOW LINE | ⑦ THERMOPLASTIC PAVEMENT MARKING - 12" WHITE DIAGONAL SHOULDER LINE @ 45° | ⑫ RAISED REFLECTIVE PAVEMENT MARKER AMBER 2-WAY |
| ③ THERMOPLASTIC PAVEMENT MARKING - 4" DOUBLE SOLID YELLOW LINE (11" C-C) | ⑧ THERMOPLASTIC PAVEMENT MARKING - 12" YELLOW DIAGONAL MEDIAN LINE @ 45° | ⑬ RAISED REFLECTIVE PAVEMENT MARKER CRYSTAL 1-WAY |
| ④ THERMOPLASTIC PAVEMENT MARKING - 4" YELLOW SKIP DASH (10' DASH - 30' SPACE) | ⑨ THERMOPLASTIC PAVEMENT MARKING - 24" WHITE STOP BAR | ⑭ ROADWAY SIGN - SEE SIGNING PLANS FOR DETAILS |
| ⑤ THERMOPLASTIC PAVEMENT MARKING - 4" WHITE SKIP DASH (10' DASH - 30' SPACE) | ⑩ THERMOPLASTIC PAVEMENT MARKING - LETTERS AND SYMBOLS | |

FILE NAME = #FILE#

SHT_DOUBLE PLAN	USER NAME = #USER#	DESIGNED - MTM	REVISED -	STATE OF ILLINOIS DEPARTMENT OF TRANSPORTATION	IL RTE 68 (DUNDEE ROAD) - PRAIRIE LAKE ROAD TO IL 62 ROADWAY AND PAVEMENT MARKING PLANS	F.A.P. RTE. 343	SECTION 631 RS-3	COUNTY KANE/COOK	TOTAL SHEETS 73	SHEET NO. 19		
	PLLOT SCALE = #SCALE#	CHECKED - BA	REVISED -			SCALE: 1"=50'	SHEET 3 OF 6 SHEETS	STA. 70+00	TO STA. 100+00	CONTRACT NO. 60T04		
	PLLOT DATE = #DATE#	DATE -	REVISED -			ILLINOIS FED. AID PROJECT						